



**THE WORLD'S
FAVOURITE
INDIAN**

SPARE PARTS CATALOGUE

ALF - OBD2B

MONO FUEL & BI FUEL



BAJAJ RE - CNG, LPG
BAJAJ MAXIMA Z- CNG, LPG
BAJAJ MAXIMA XWIDE- CNG, LPG
BAJAJ MAXIMA C- CNG

All information contained in this manual is based on the latest product information at the time of publication. Bajaj Auto Limited accepts no liability for any inaccuracies or omissions in this publication, although every possible care has been taken to make it as complete and accurate as possible. All procedures and specifications subject to change without prior notice. The right is reserved to make such changes at any time without prior notice and without incurring an obligation to make such changes to product manufactured previously. Contact your authorized Bajaj Dealer for the latest information on product improvements incorporated after this manual was issued.

DOC. NO.: 7111XXXX

REV. 00, MAY 2025

Foreword

We have pleasure in presenting the Spare Parts Catalogue for **'BAJAJ RE & MAXIMA Z MONO FUEL & BAJAJ RE, MAXIMA Z, XWIDE & MAXIMA C CNG, LPG- ALF BI-FUEL OBD2B** Vehicles. This catalogue has been specially designed to assist you in selecting the correct parts to maintain your vehicle in best running condition.

The Bajaj spares are subjected to the stringent quality control standards to ensure longer life of the vehicles. It is therefore necessary that only the Bajaj Genuine Spares & oil are used.

In a continual effort to improve performance & efficiency of the vehicle, Specifications, Diagrams, Illustrations and Part Numbers can change without notice. Consequently, the description in this Spare Parts Catalogue cannot therefore be final and binding on us.

The modifications / alterations which are carried out after the issue of this catalogue, will be conveyed to you through our service circulars. You are requested to make necessary corrections in the parts catalogues as per the circulars so as to keep your catalogues up to date. This will ensure the appropriate and speedy delivery of the spare parts as the order placed will bear the latest part numbers.

For latest information of serviceable spares, refer catalogue on dealer portal.

In case, if you need any technical assistance contact the concerned Regional Office or write to us on the following address :

Service Department
Bajaj Auto Ltd.
Akurdi, Pune 411 035 India
Phone : 020-66106104
E-mail : service@bajajauto.co.in

Instructions for using Catalogue

**ALTERNATE FUEL
MF & BF OBD2B**

- How to Read the Catalogue : Open the catalogue and from the pictorial index locate the group in which the part you want to find is present. Turn over to the concerned page number (as given by pictorial index). Now find out the figure of the part you wish to order. Write down the part number against that particular figure number from the text.

In case, if you have the part number and you need the other details, the part index can be used. The part index (at the end of the catalogue) will give you the figure and page number of the part you wish to order.

- How to Order Spare Parts : The part number and the description of the part required should be invariably mentioned in the order as per the catalogue text.

The latest part number as conveyed through our service circulars should only appear on the order. In case of ordering painted components, colour shade of the components should be mentioned.

The quantity shown against the part number is the quantity per vehicle for that group so that particular quantity should be multiplied by the number of sets required.

- Part Number System: We have used 8 digit system for part numbers. The model or hardware item is indicated by first two digits or alphanumeric, the next two or four digits indicate main group and the last four or two digits indicate serial number in main group or serial number or subgroup of fastener respectively. Thus the part numbers will be indicated by 2-2-4 or 2-4-2 digit system. Understanding this system will enable you to identify the spare parts easily.

- Abbreviations : The following abbreviations are used in this catalogue.

Comp.-	complete	NS-	Not serviceable
Assly.-	Assembly	N.I.-	Not illustrated
Fr-	Front	Alt.-	Alternate
R.H.-	Right hand	L.H.-	Left hand
MF	Mono Fuel	BF-	BI Fuel

- Abbreviations (model name) :

AF-	RE CNG	AM-	RE LPG
AZ-	Z CNG	RA-	Z LPG
AT-	XWIDE CNG	AT1-	XWIDE LPG
AN-	C CNG		

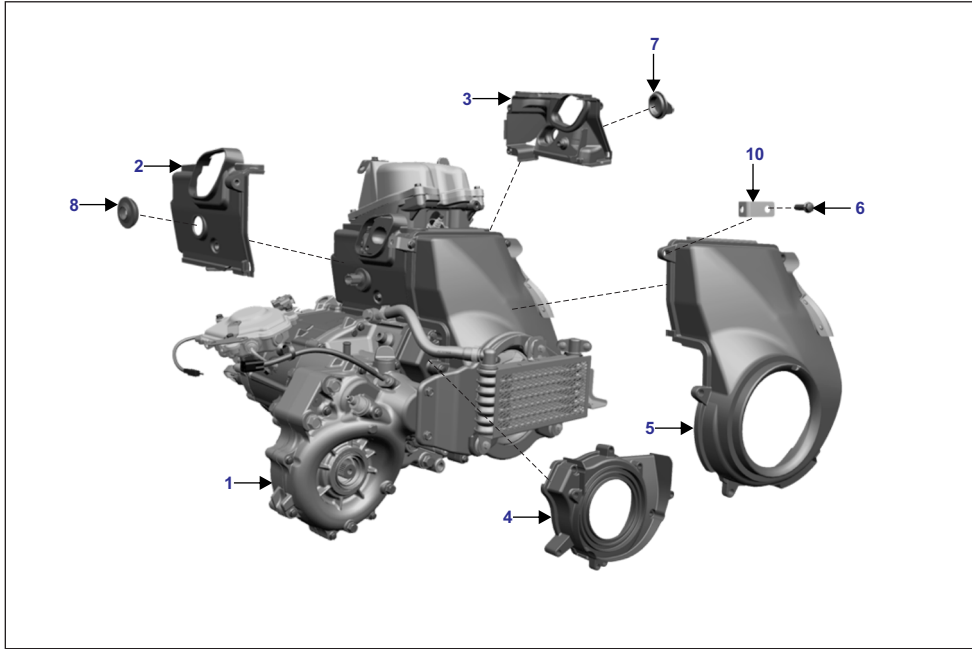
INDEX

**ALTERNATE FUEL
MF & BF OBD2B**

S.N.	Description	Page No.	S.N.	Description	Page No.
1	Engine	1	47	Tandon Master Cylinder	73,74
2	Crank Case Magneto Side	2	48	Revers Lever	75,76
3	Crankcase Clutch Side	3	49	Hand Brake - RE PET	77
4	Pump Assly Oil	4	50	Hand Brake - RE GAS	79
5	Clutch Cover	5,6	51	Hand Brake - Z	80
6	Differential Cover	7,8	52	Hand Brake - XWIDE & C	81,82
7	Cylinder / Piston	9	53	Handle Bar	83,84
8	Cylinder Head	11,12	54	Frame Chassis	85 to 87
9	Cam Shaft & Chain Tensioner	13,14	55	Spare Wheel	89
10	Crank Shaft	15	56	Steering & Head Lamp Cover	90
11	Main Shaft	17,18	57	Dashboard	91 to 93
12	Differential- RE	19	58	Wind Shield	95,96
13	Differential	20	59	Cabin	97,98
14	Clutch Complate	21,22	60	Door - C CNG	99 to 101
15	Fare Meter Drive Unit	23,24	61	Passenger Body- RE	103 to 105
16	Gear Shifter	25	62	Passenger Body- Z	107,108
17	Starter Motor	27,28	63	Passenger Body- XWIDE	109 to 111
18	Sector Gear	29,30	64	Body Door - RE	113,114
19	Magneto & H.T Coil	31,32	65	Body Door - XWIDE	115
20	Engine Mounting	33	66	Body Door - Z	117,118
21	Silencer	34	67	Tray Body	119,120
22	Throttle Body	35,36	68	Seat Assly- RE	121
23	Air Filter Complete	37,38	69	Seat Assly- Z	122
24	Pipe Air Intake - Z	39	70	Seat Assly- XWIDE & C	123
25	Pipe Air Intake - XWIDE	40	71	Passenger Seat- D+5	124
26	Pipe Air Intake - C	41	72	Seat Cover- Z	125
27	Oil Cooler Assembly	42	73	Seat Cover- XWIDE	126
28	Petrol Tank - RE	43,44	74	Hood Frame- RE	127,128
29	Petrol Tank - BF	45,46	75	Hood Frame- Z	129,130
30	Propeller Shaft / Flanges	47	76	Hood Frame- XWIDE	131,132
31	CV Shaft	48	77	Harness	133 to 135
32	Training Arm - RE	49	78	Battery	137
33	Training Arm - Z	50	79	Head Light & Blinkers	138
34	Training Arm - XWIDE	51	80	Tail Lamp	139
35	Rear Wheel Exle - RE	52	81	Switches & Horn	140
36	Rear Wheel Exle - Z	53	82	Electrical Units	141,142
37	Rear Wheel Exle- XWIDE & C	54	83	ECU Unit	143
38	Front Shock Abs & Linkage	55,56	84	Cylinder For CNG - RE	145,146
39	Front Mudguard	57,58	85	Cylinder For CNG - Z	147,148
40	Steering Column	59,60	86	Cylinder For CNG - XWIDE	149,150
41	FR Hub & Front Shock Abs.-RE	61,62	87	Cylinder For CNG - C	151,152
42	Front Brake Drum	63,64	88	Cylinder For LPG - RE	153,154
43	Brake System - RE & Z	65 to 67	89	Cylinder For LPG - Z	155,156
44	Auto Adjuster Brake System	69,70	90	Cylinder For LPG - XWIDE	157,158
45	Brake Pipe	71	91	Filler Connector Unit	159
46	Control Cables	72	92	Regulator High Pressore	161,162

PLATE NO. 1: ENGINE

ALTERNATE FUEL
MF & BF OBD2B



No.	Part No.	Description	RE			Z		XWIDE		C	Remarks
			AU	AF	AM	AZ	RA	AT	AT1	AN	
1	AF101885	Engine Assembly	1	1	1	-	-	-	-	-	
1	AZ501039	Engine Assembly	-	-	-	1	1	-	-	-	
1	AT501055	Engine Assembly	-	-	-	-	-	1	1	1	
2	AF101927	Cowl Intake	1	1	1	1	1	1	1	1	
3	AF101928	Cowl Exhaust	1	1	1	1	1	1	1	1	
4	AF101929	Cowl	1	1	1	1	1	1	1	1	
5	AF101968	Cover Assembly Fan	1	1	1	1	1	1	1	1	
6	KAED0620	Bolt-Flanged-Small	12	12	12	12	12	12	12	12	
7	GF101139	Grommet	1	1	1	1	1	1	1	1	
8	GF111112	Grommet-Sm	1	1	1	1	1	1	1	1	
9	KAED0630	Bolt-Flanged-Small	1	1	1	1	1	1	1	1	NI
10	AT501050	Bracket	1	1	1	1	1	1	1	1	

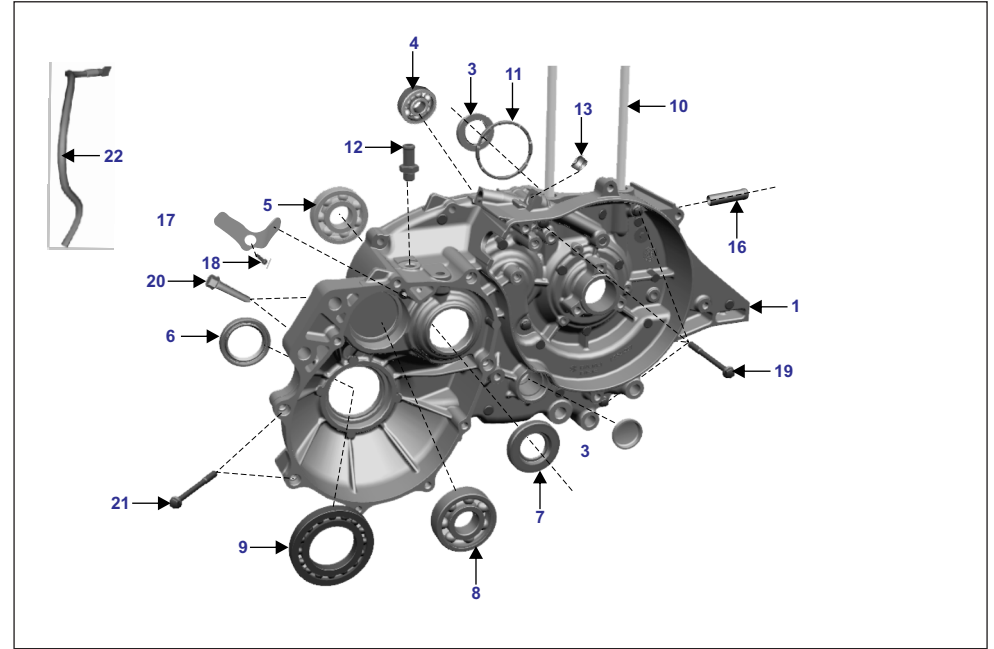
AF - RE CNG
AM - RE LPG

AZ - Maxima Z CNG
RA - Maxima ZLPG

AT - Maxima XWIDE CNG
AT1 - Maxima XWIDE LPG
AN - Maxima C CNG

PLATE NO. 2: CRANK CASE MAGNETO SIDE

ALTERNATE FUEL
MF & BF OBD2B



No.	Part No.	Description	RE			Z		XWIDE		C	Remarks
			AU	AF	AM	AZ	RA	AT	AT1	AN	
1	AF101917	Crankcase Magneto Side	1	1	1	1	1	1	1	1	
2	PD541005	Insert	1	1	1	1	1	1	1	1	
3	GL541080	Seal Oil	1	1	1	1	1	1	1	1	
4	30151059	Bearing - Ball	1	1	1	1	1	1	1	1	
5	39256120	Bearing Ball 6305	1	1	1	1	1	1	1	1	
6	BF551613	Seal Oil	1	1	1	1	1	1	1	1	
7	39171619	Seal Oil	1	1	1	1	1	1	1	1	
8	39186420	Ball Bearing-20X52X15	1	1	1	1	1	1	1	1	
9	24130105	Bearing Ball -Diff Cover	1	1	1	1	1	1	1	1	
10	LAJ00030	Bolt Stud M10X1.25	2	2	2	2	2	2	2	2	
11	AF101397	Damper	1	1	1	1	1	1	1	1	
12	24102046	Breather	1	1	1	1	1	1	1	1	
13	31101060	Plug	1	1	1	1	1	1	1	1	
14	31101064	Plug	1	1	1	1	1	1	1	1	
15	AN101062	Cap Sealing C.Case Magneto Side	-	-	-	1	1	1	1	1	
16	AF102073	Nozzle	1	1	1	1	1	1	1	1	
17	AT541025	Bracket Pipe Breather	1	1	1	1	1	1	1	1	
18	KBBA0608	Screw Pan Cross M6X1	1	1	1	1	1	1	1	1	
19	KAED0665	Bolt Flanged M6X1	5	5	5	5	5	5	5	5	
20	KAED0650	Bolt Flanged M6X1	2	2	2	2	2	2	2	2	
21	KAED0635	Bolt Flanged M6X1	4	4	4	4	4	4	4	4	
22	AN101498	Pipe Assembly Breather	-	-	-	1	1	1	1	1	NI

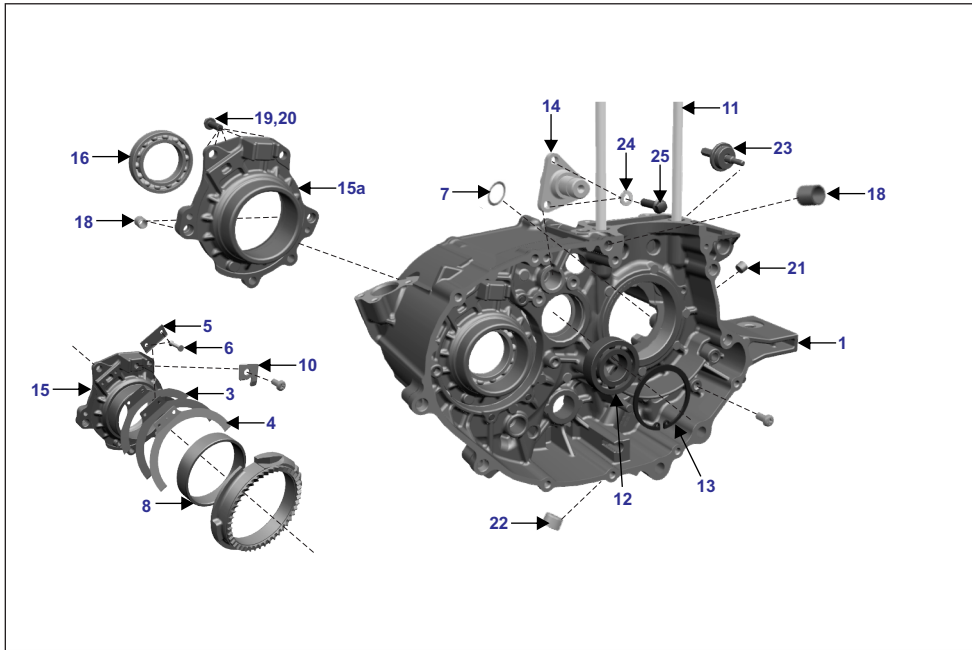
AF - RE CNG
AM - RE LPG

AZ - Maxima Z CNG
RA - Maxima ZLPG

AT - Maxima XWIDE CNG
AT1 - Maxima XWIDE LPG
AN - Maxima C CNG

PLATE NO. 3: CRANKCASE CLUTCH SIDE

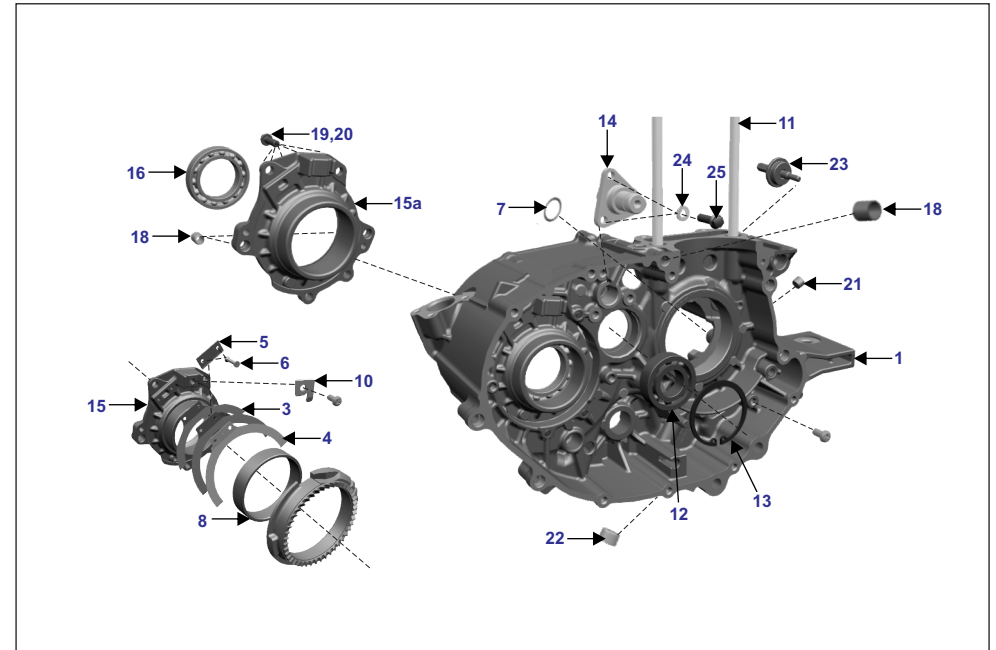
ALTERNATE FUEL
MF & BF OBD2B



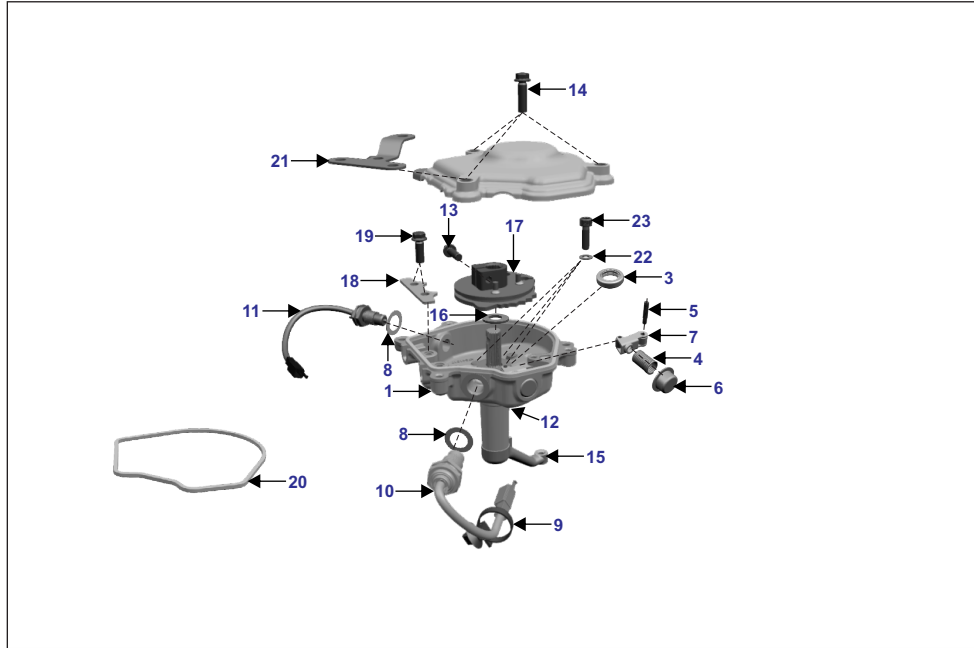
No.	Part No.	Description	RE		Z		XWIDE		C	Remarks
			AU	AF	AM	AZ	RA	AT	AT1	
1	AT541005	Crankcase Clutch Side	1	1	1	1	1	1	1	
2	AA102189	Plate Assembly	1	1	1	-	-	-	-	(Incl. Sr.-3,4,5)
3	AA101124	Spring Plate Lower	1	1	1	-	-	-	-	
4	AA101123	Spring Plate Upper	1	1	1	-	-	-	-	
5	AA101249	Spacer Hand Start	1	1	1	-	-	-	-	
6	LGB00001	Rivet Rd Csk-Dia. 3	2	2	2	-	-	-	-	
7	39101321	Ring - O	1	1	1	1	1	1	1	
8	AA101145	Bush - Starter Gear	1	1	1	-	-	-	-	
9	JG131220	Screw Pan Cross M6X1	1	1	1	-	-	-	-	
10	AT551219	Guide Gear Starter	1	1	1	-	-	-	-	
11	LAJ00030	Bolt Stud M10X1.25	2	2	2	2	2	2	2	
12	39121420	Bearing Ball 20X42X12	1	1	1	1	1	1	1	
13	KEBB4217	Circlip Internal	1	1	1	1	1	1	1	
14	AT551010	Shaft Idler Reverse	1	1	1	1	1	1	1	
15	AF101982	Housing Bearing Starter	1	1	1	-	-	-	-	
15a	AT541016	Housing Bearing	-	-	-	1	1	1	1	

PLATE NO. 3: CRANKCASE CLUTCH SIDE

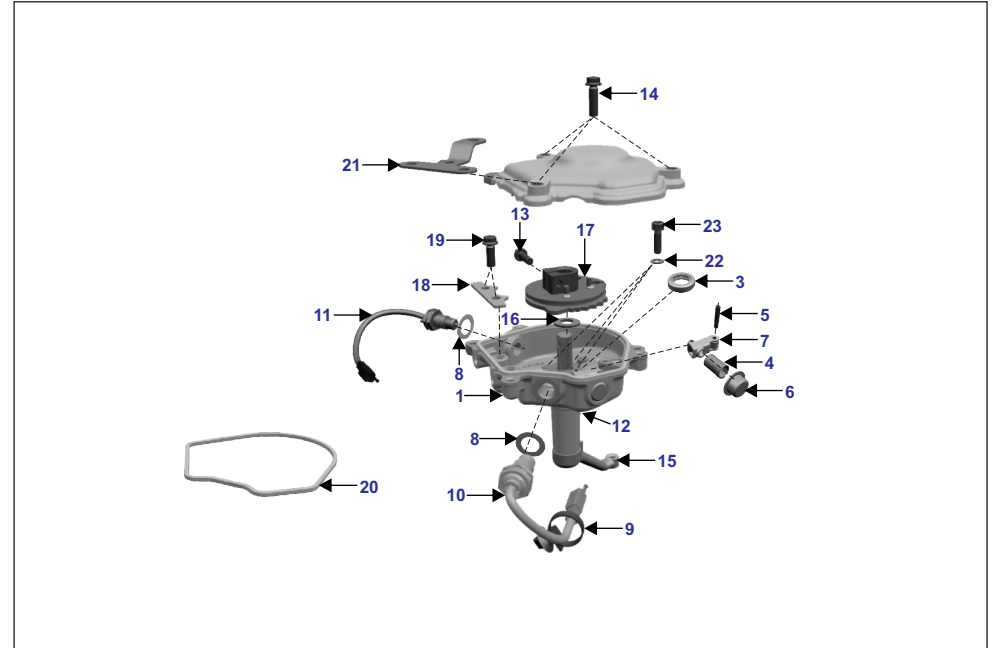
ALTERNATE FUEL
MF & BF OBD2B



No.	Part No.	Description	RE		Z		XWIDE		C	Remarks
			AU	AF	AM	AZ	RA	AT	AT1	
16	LPA00010	Bearing Ball	1	1	1	1	1	1	1	
17	KEBB6220	Circlip Internal	1	1	1	1	1	1	1	NI
18	39168606	Hollow Dowel Pin	3	3	3	3	3	3	3	
19	KAED0625	Bolt Flanged M6X1	2	2	2	2	2	2	2	
20	KAED0620	Bolt Flanged M6X1	8	8	8	8	8	8	8	
21	31101060	Plug	1	1	1	1	1	1	1	
22	DP101154	Plug	1	1	1	1	1	1	1	
23	LAC00224	Bolt Socket Step M6X1	1	1	1	1	1	1	1	
24	KDDB0612	Washer Spring Thin	3	3	3	3	3	3	3	
25	KAED0620	Bolt Flanged M6X1	3	3	3	3	3	3	3	



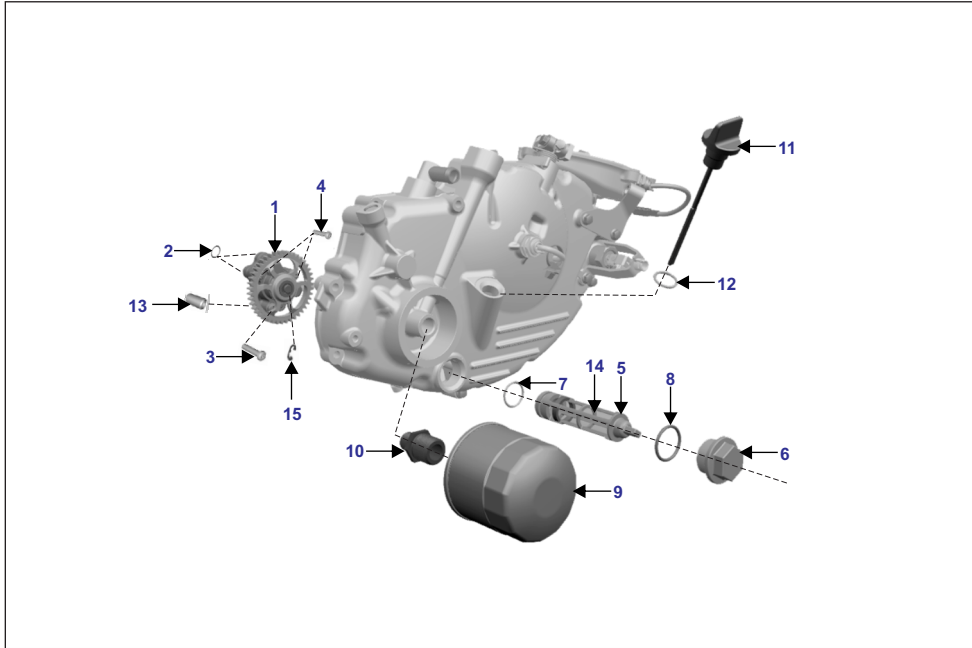
No.	Part No.	Description	RE			Z		XWIDE		C	Remarks
			AU	AF	AM	AZ	RA	AT	AT1	AN	
1	AT541017	Housing Gear Shift	1	1	1	1	1	1	1	1	
2	JB621005	Bush Gear Starter Pinion	2	2	2	2	2	2	2	2	
3	39104119	Seal Oil	1	1	1	1	1	1	1	1	
4	6101112	Spring	1	1	1	1	1	1	1	1	
5	6101111	Screw	1	1	1	1	1	1	1	1	
6	AP101198	Cup Spring Detent	1	1	1	1	1	1	1	1	
7	24101111	Bracket Assembly With Roller	1	1	1	1	1	1	1	1	
8	39080411	Plain Washer	2	2	2	2	2	2	2	2	
9	60111420	Clamp	1	1	1	1	1	1	1	1	
10	BB201171	Switch Neutral	1	1	1	1	1	1	1	1	
11	AT401409	Switch Neutral	1	1	1	1	1	1	1	1	
12	39101721	O-Ring	1	1	1	1	1	1	1	1	
13	KHDA0408	Pin Dowel	1	1	1	1	1	1	1	1	
14	KAED0620	Bolt Flanged M6X1	3	3	3	3	3	3	3	3	
15	AT561200	Lever Gear Shift	1	1	1	1	1	1	1	1	
16	KDBA1226	Washer Plain	1	1	1	1	1	1	1	1	



No.	Part No.	Description	RE			Z		XWIDE		C	Remarks
			AU	AF	AM	AZ	RA	AT	AT1	AN	
17	AT561000	Assembly Sector	1	1	1	1	1	1	1	1	
18	AT561004	Bracket Guide Cable	1	1	1	1	1	1	1	1	
19	KAED0616	Bolt Flanged M6X1	2	2	2	2	2	2	2	2	
20	AT541022	Seal Cover Gear Shift	1	1	1	1	1	1	1	1	
21	AT501049	Bracket	1	1	1	1	1	1	1	1	
22	KDBB0612	Washer Plain	3	3	3	3	3	3	3	3	
23	LAC00026	Bolt Socket	3	3	3	3	3	3	3	3	

PLATE NO. 4: PUMP ASSLY OIL & OIL FILTER

ALTERNATE FUEL
MF & BF OBD2B



No.	Part No.	Description	RE			Z		XWIDE		C	Remarks
			AU	AF	AM	AZ	RA	AT	AT1	AN	
1	AA121336	Pump Assembly - Oil Filter	1	1	1	1	1	1	1	1	
2	39101321	Ring - O	2	2	2	2	2	2	2	2	
3	KBBA0635	Screw Pan Cross	1	1	1	1	1	1	1	1	
4	KBBA0625	Screw Pan Cross	2	2	2	2	2	2	2	2	
5	JG571024	Strainer Assembly	1	1	1	1	1	1	1	1	
6	28101022	Cap - Strainer	1	1	1	1	1	1	1	1	
7	LJA00004	Strainer O Ring	1	1	1	1	1	1	1	1	
8	39165721	Ring - O	1	1	1	1	1	1	1	1	
9	AF121612	Filter Oil	1	1	1	1	1	1	1	1	
10	EC541004	Adapter- Oil Filter	1	1	1	1	1	1	1	1	
11	AA101667	Stick Dip -Clutch Cover	1	1	1	1	1	1	1	1	
12	KJAB1424	O Ring	1	1	1	1	1	1	1	1	
13	39099906	Pin Dowel-Oil Pump	1	1	1	1	1	1	1	1	
14	JA541019	Mesh Strainer	1	1	1	1	1	1	1	1	
15	KECB5006	Circlip Type E	1	1	1	1	1	1	1	1	
11	DK101237	Washer Copper Oil Cooler	8	8	8	8	8	8	8	8	

AU - RE PET
AF - RE CNG
AM - RE LPG

AZ - Maxima Z CNG
RA - Maxima Z LPG

AT - Maxima XWIDE CNG
AT1 - Maxima XWIDE LPG
AN - Maxima C CNG

PLATE NO. 4: PUMP ASSLY OIL & OIL FILTER

ALTERNATE FUEL
MF & BF OBD2B



No.	Part No.	Description	RE			Z		XWIDE		C	Remarks
			AU	AF	AM	AZ	RA	AT	AT1	AN	

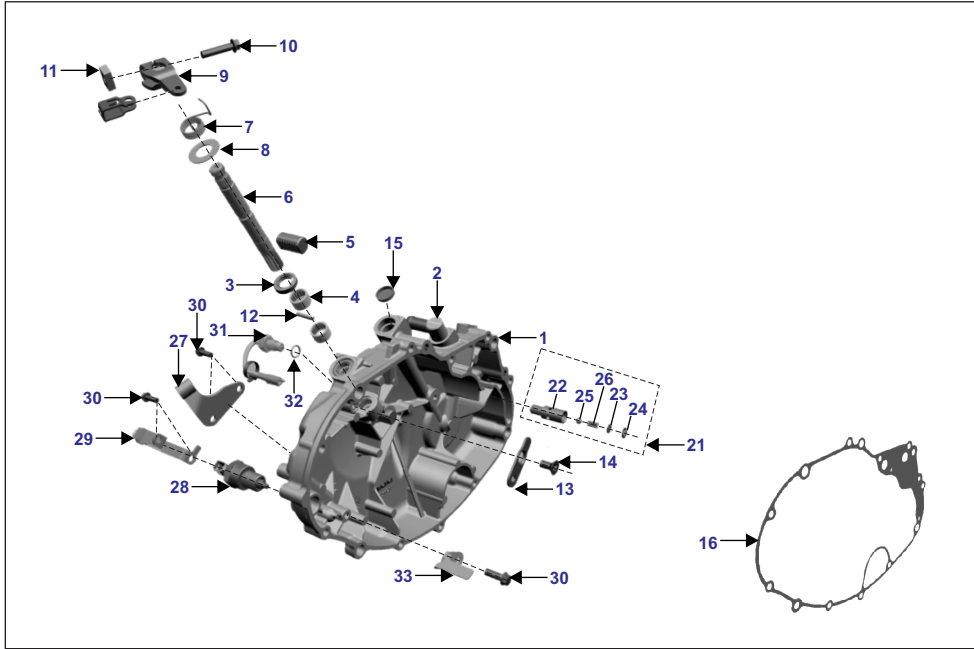
AU - RE PET
AF - RE CNG
AM - RE LPG

AZ - Maxima Z CNG
RA - Maxima Z LPG

AT - Maxima XWIDE CNG
AT1 - Maxima XWIDE LPG
AN - Maxima C CNG

PLATE NO. 5: CLUTCH COVER

ALTERNATE FUEL
MF & BF OBD2B



No.	Part No.	Description	RE		Z		XWIDE		C		Remarks
			AU	AF	AM	AZ	RA	AT	AT1	AN	
1	AF101926	Clutch Cover	1	1	1	1	1	1	1	1	
2	AF101572	Nozzle	1	1	1	1	1	1	1	1	
3	39104119	Seal - Oil	1	1	1	1	1	1	1	1	
4	39199020	Bearing - Needle	2	2	2	2	2	2	2	2	
5	AT551410	Rack	1	1	1	1	1	1	1	1	
6	AZ551001	Shaft Clutch Release	1	1	1	1	1	1	1	1	
7	AN101376	Spring Torsion Clutch Lever	1	1	1	1	1	1	1	1	
8	JE541213	Washer Plain-Id12.5Xod24Xt0.8Xbr	1	1	1	1	1	1	1	1	
9	DH101180	Lever Assembly	1	1	1	1	1	1	1	1	
10	KAED0625	Bolt-Flanged-Small	1	1	1	1	1	1	1	1	
11	DH101275	Nut - Special	1	1	1	1	1	1	1	1	
12	39099206	Dowel	1	1	1	1	1	1	1	1	
13	AN101189	Plate Stopper, Clutch Cover	1	1	1	1	1	1	1	1	
14	LBC00004	Screw Csk Cross	1	1	1	1	1	1	1	1	
15	DH101361	Plug	1	1	1	1	1	1	1	1	
16	AT541209	Gasket Cover Clutch	1	1	1	1	1	1	1	1	
17	39100006	Pin - Hollow Dowel	2	2	2	2	2	2	2	2	NI

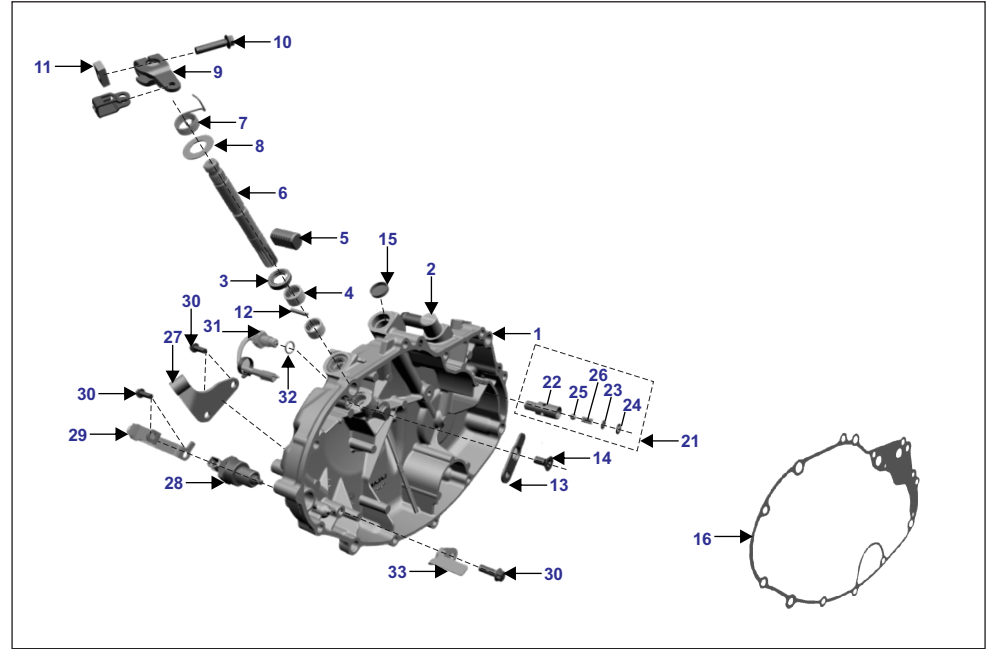
AU - RE PET
AF - RE CNG
AM - RE LPG

AZ - Maxima Z CNG
RA - Maxima ZLPG

AT - Maxima XWIDE CNG
AT1 - Maxima XWIDE LPG
AN - Maxima C CNG

PLATE NO. 5: CLUTCH COVER

ALTERNATE FUEL
MF & BF OBD2B



No.	Part No.	Description	RE		Z		XWIDE		C		Remarks
			AU	AF	AM	AZ	RA	AT	AT1	AN	
18	KAED0650	Bolt Flanged M6X1	2	2	2	2	2	2	2	2	NI
19	KAED0665	Bolt-Flanged-Small	5	5	5	5	5	5	5	5	NI
20	KAED0635	Bolt Flanged M6X1	4	4	4	4	4	4	4	4	NI
21	AA101883	Valve Pressure Relief Assembly	1	1	1	1	1	1	1	1	
22	AA101884	Valve Pressure Relief	1	1	1	1	1	1	1	1	
23	DK101472	Washer Pressure Relief Valve	1	1	1	1	1	1	1	1	
24	39254717	Circlip - Internal	1	1	1	1	1	1	1	1	
25	KMAA0800	Ball Steel	1	1	1	1	1	1	1	1	
26	DK101449	Spring Relief Valve (4 Bar)	1	1	1	1	1	1	1	1	
27	AT541208	Bracket Cable Clutch	1	1	1	1	1	1	1	1	
28	BF551060	Lock Gear Reverse	1	1	1	1	1	1	1	1	
29	BF561041	Bracket Reverse Lock	1	1	1	1	1	1	1	1	
30	KAED0616	Bolt Flanged M6X1	5	5	5	5	5	5	5	5	
31	AP111023	Switch Assembly Neutral	1	1	1	1	1	1	1	1	
32	3150207	Ring-O	1	1	1	1	1	1	1	1	
33	AT541210	Bracket Lock	1	1	1	1	1	1	1	1	

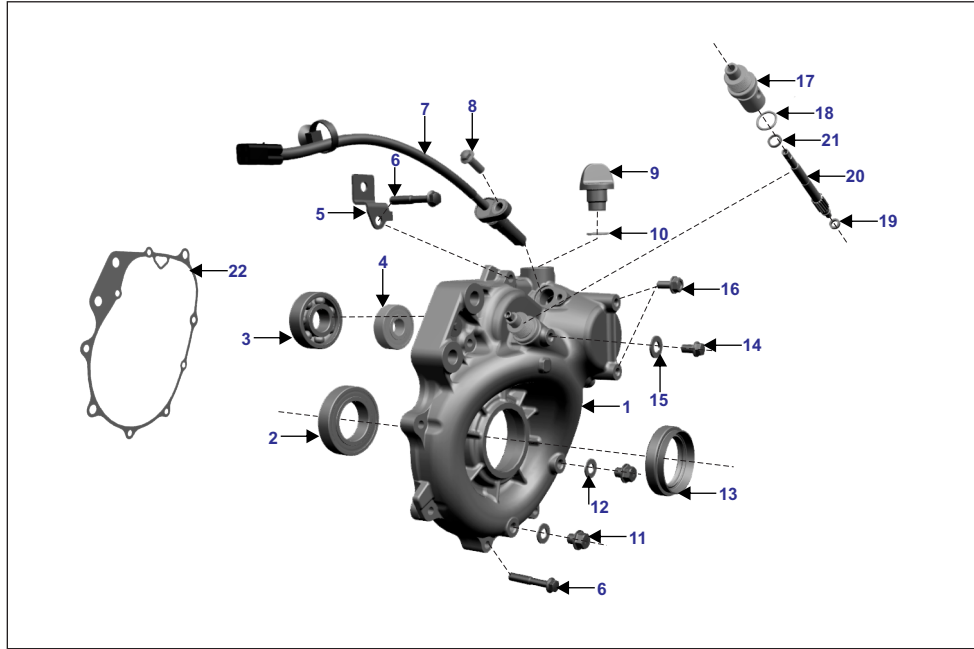
AU - RE PET
AF - RE CNG
AM - RE LPG

AZ - Maxima Z CNG
RA - Maxima ZLPG

AT - Maxima XWIDE CNG
AT1 - Maxima XWIDE LPG
AN - Maxima C CNG

PLATE NO. 6: DIFFERENTIAL COVER

ALTERNATE FUEL
MF & BF OBD2B



No.	Part No.	Description	RE			Z		XWIDE		C	Remarks
			AU	AF	AM	AZ	RA	AT	AT1	AN	
1	AT551604	Cover Differential	1	1	1	1	1	1	1	1	
2	KPBB6007	Bearing Ball C3	1	1	1	1	1	1	1	1	
3	39186420	Ball Bearing-20X52X15	1	1	1	1	1	1	1	1	
4	30151039	Bearing - Ball	1	1	1	1	1	1	1	1	
5	AT501049	Bracket	1	1	1	1	1	1	1	1	
6	KAED0635	Bolt Flanged M6X1	9	9	9	9	9	9	9	9	
7	AT403600	Sensor Speed	1	1	1	1	1	1	1	1	
8	LAE00042	Bolt Flanged-M6X1	1	1	1	1	1	1	1	1	
9	JG541230	Cap Oil Filling	1	1	1	1	1	1	1	1	
10	KJAB1424	O Ring	1	1	1	1	1	1	1	1	
11	35101060	Plug - Oil	2	2	2	2	2	2	2	2	
12	39158511	Washer - Plain	2	2	2	2	2	2	2	2	
13	BF551613	Seal Oil	1	1	1	1	1	1	1	1	
14	LAE00017	Bolt Flanged M6X1	1	1	1	1	1	1	1	1	
15	39158511	Washer - Plain	1	1	1	1	1	1	1	1	
16	KADF0614	Bolt Flanged M6X1	2	2	2	2	2	2	2	2	

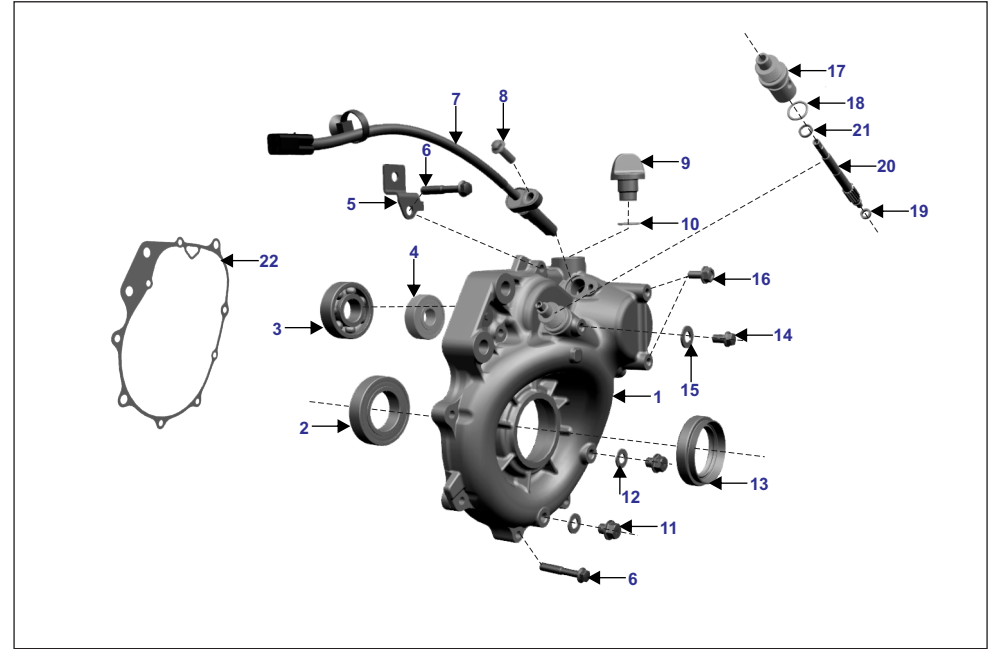
AU - RE PET
AF - RE CNG
AM - RE LPG

AZ - Maxima Z CNG
RA - Maxima Z LPG

AT - Maxima XWIDE CNG
AT1 - Maxima XWIDE LPG
AN - Maxima C CNG

PLATE NO. 6: DIFFERENTIAL COVER

ALTERNATE FUEL
MF & BF OBD2B

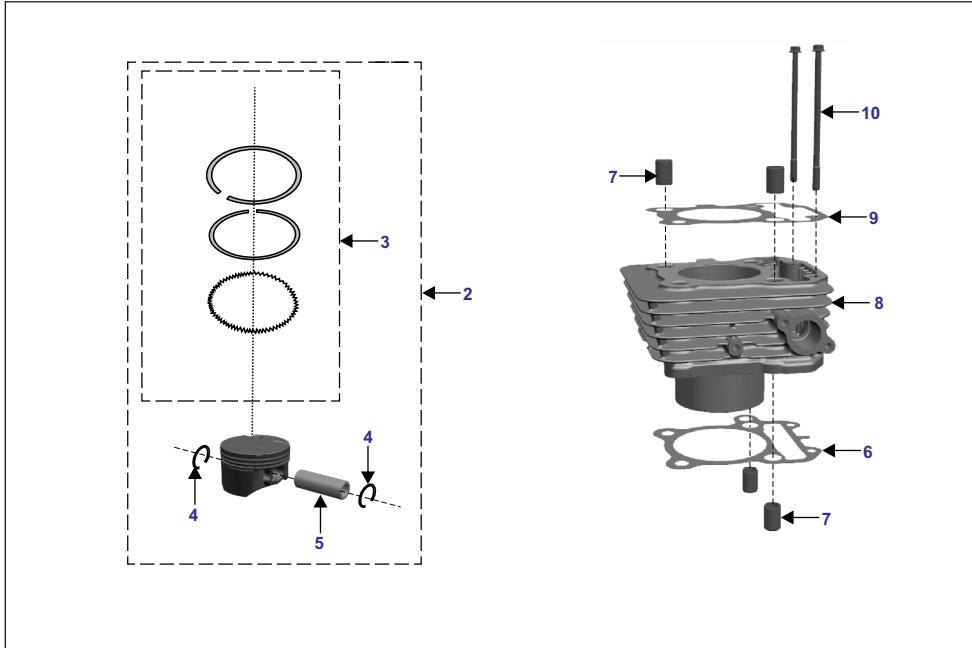


No.	Part No.	Description	RE			Z		XWIDE		C	Remarks
			AU	AF	AM	AZ	RA	AT	AT1	AN	
17	AT551609	Bush Fare Meter	1	1	1	1	1	1	1	1	
18	39158721	O Ring (Speedo Adaptor)	1	1	1	1	1	1	1	1	
19	BA132064	Washer - Plain	1	1	1	1	1	1	1	1	
20	AT552601	Shaft Fare Meter	1	1	1	1	1	1	1	1	
21	39149819	Seal Oil	1	1	1	1	1	1	1	1	
22	AT551607	Gasket Cover Differential	1	1	1	1	1	1	1	1	

AU - RE PET
AF - RE CNG
AM - RE LPG

AZ - Maxima Z CNG
RA - Maxima Z LPG

AT - Maxima XWIDE CNG
AT1 - Maxima XWIDE LPG
AN - Maxima C CNG



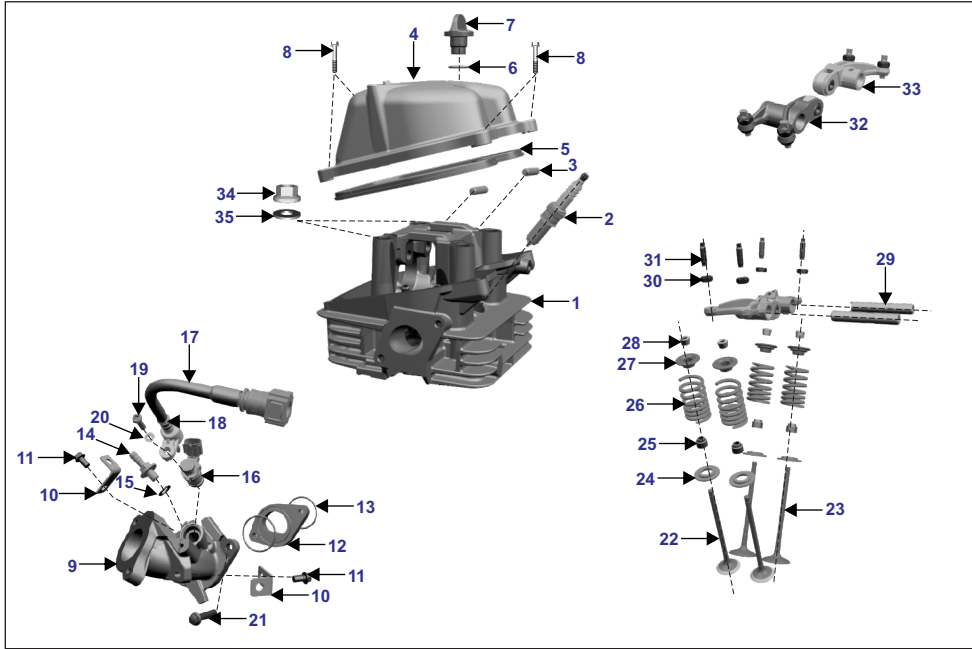
No.	Part No.	Description	RE			Z		XWIDE		C	Remarks
			AU	AF	AM	AZ	RA	AT	AT1	AN	
1	36AF0071	Cyl Block Piston Assly	1	1	1	1	1	1	1	1	(Incl. Sr. 2 & 8)
2	AF101923	Piston Assembly	1	1	1	1	1	1	1	1	
3	36AN0034	Kit Ring Piston	1	1	1	1	1	1	1	1	
4	AA102087	Wire Circlip 19.2X1.2 Wire Dia	2	2	2	2	2	2	2	2	
5	BF521217	Pin Piston	1	1	1	1	1	1	1	1	
6	AT521004	Gasket Block Cylinder	1	1	1	1	1	1	1	1	
7	39218106	Pin - Hollow Dowel :- 14 X 20	4	4	4	4	4	4	4	4	
8	AF101910	Block Cylinder	1	1	1	1	1	1	1	1	
9	AF101911	Gasket Head Cylinder	1	1	1	1	1	1	1	1	
10	KAED06A5	Bolt Flang Small	2	2	2	2	2	2	2	2	



No.	Part No.	Description	RE			Z		XWIDE		C	Remarks
			AU	AF	AM	AZ	RA	AT	AT1	AN	

PLATE NO. 8: CYLINDER HEAD

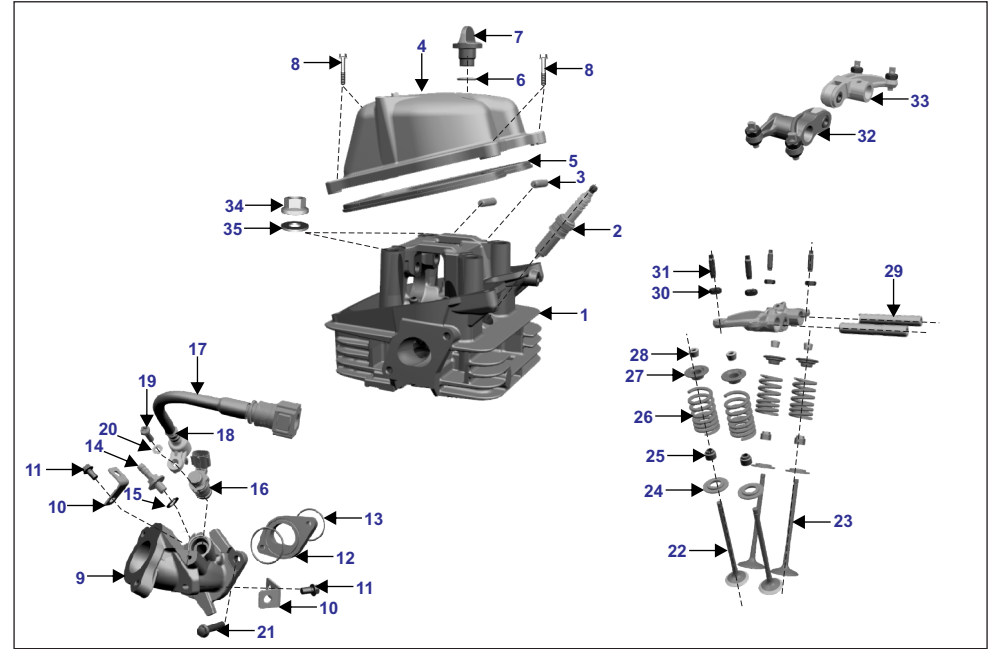
ALTERNATE FUEL
MF & BF OBD2B



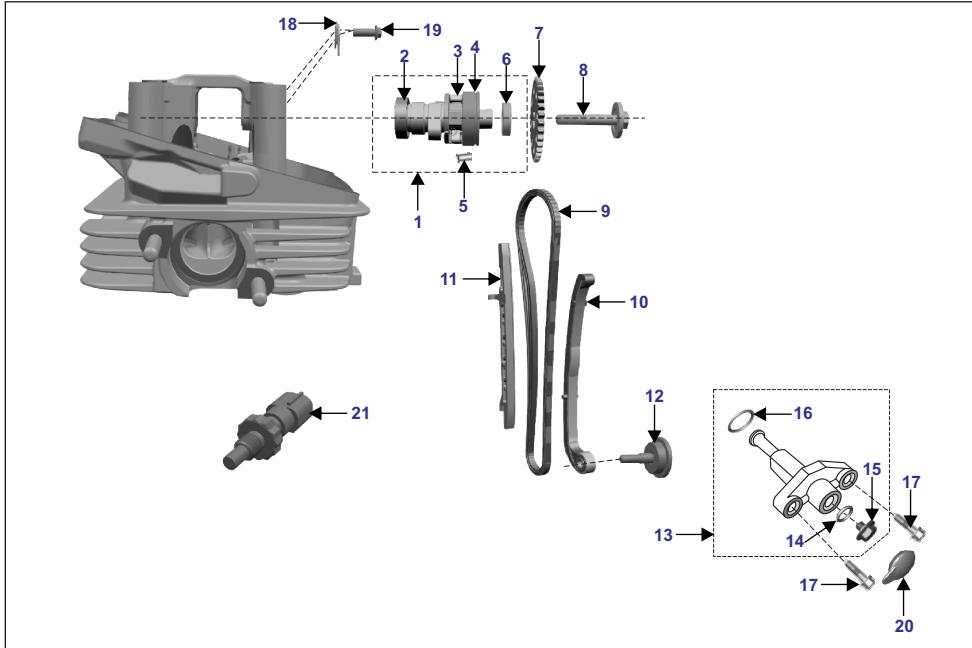
No.	Part No.	Description	RE			Z		XWIDE		C	Remarks
			AU	AF	AM	AZ	RA	AT	AT1	AN	
1	AF101908	Head Cylinder	1	1	1	1	1	1	1	1	
2	JL351218	Plug Spark	1	1	1	1	1	1	1	1	
3	LAJ00016	Bolt Stud	2	2	2	2	2	2	2	2	
4	AF101909	Cover Head Cylinder	1	1	1	1	1	1	1	1	
5	AF101956	Gasket Cover Head Cylinder	1	1	1	1	1	1	1	1	
6	KJAB1424	O Ring	1	1	1	1	1	1	1	1	
7	JG541230	Cap Oil Filling	1	1	1	1	1	1	1	1	
8	KAED0625	Bolt Flanged M6X1	4	4	4	4	4	4	4	4	
9	AA102668	Manifold Intake	1	-	-	-	-	-	-	-	
10	AT501050	Bracket	2	2	2	2	2	2	2	2	
11	KAED0610	Bolt Flanged M6X1	2	2	2	2	2	2	2	2	
12	AF121622	Insulator	1	1	1	1	1	1	1	1	
13	59210028	"O" Ring	2	2	2	2	2	2	2	2	
14	AF101899	Nozzle Gas Rail	1	1	1	1	1	1	1	1	
15	BF172146	O-Ring Cng Rail	1	1	1	1	1	1	1	1	
16	JE611000	Injector Assembly	1	1	1	1	1	1	1	1	
17	AF121627	Cap Assembly Injector	1	1	1	1	1	1	1	1	
18	JL611000	Ring O	1	1	1	1	1	1	1	1	

PLATE NO. 8: CYLINDER HEAD

ALTERNATE FUEL
MF & BF OBD2B



No.	Part No.	Description	RE			Z		XWIDE		C	Remarks
			AU	AF	AM	AZ	RA	AT	AT1	AN	
20	KDAA0408	Washer Plain Small	1	1	1	1	1	1	1	1	
21	KAED0630	Bolt-Flanged-Small	2	2	2	2	2	2	2	2	
22	AF101957	Valve Exhaust	2	2	2	2	2	2	2	2	
23	AT511204	Valve Intake	2	2	2	2	2	2	2	2	
24	JE511262	Seat Spring Valve	4	4	4	4	4	4	4	4	
25	CB101009	Seal Valve Stem	4	4	4	4	4	4	4	4	
26	JE511153	Spring Valve	4	4	4	4	4	4	4	4	
27	PD511266	Retainer Spring Valve	4	4	4	4	4	4	4	4	
28	CB101022	Cotter Valve	8	8	8	8	8	8	8	8	
29	AT511206	Shaft Rocker Arm	2	2	2	2	2	2	2	2	
30	39097315	Nut - Hexagon	2	2	2	2	2	2	2	2	
31	JL511227	Screw Tappet	1	1	1	1	1	1	1	1	
32	AT511208	Rocker Arm Assembly Intake	1	1	1	1	1	1	1	1	
33	AT511210	Rocker Arm Assembly Exhaust	1	1	1	1	1	1	1	1	
34	39105515	Nut - Hexagon With Flange	4	4	4	4	4	4	4	4	
35	39024811	Washer	4	4	4	4	4	4	4	4	
36	36AF0072	Assly Cyl. Head With Valve	1	1	1	1	1	1	1	1	
37	36AF0074	Kit Valve OBD2B	1	1	1	1	1	1	1	1	

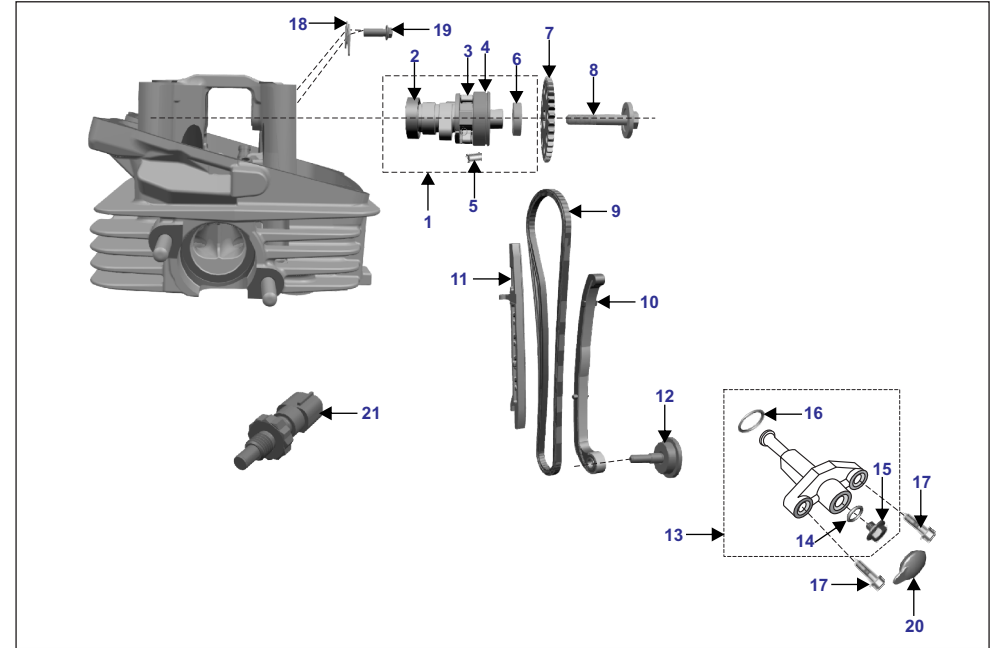


No.	Part No.	Description	RE			Z		XWIDE		C	Remarks
			AU	AF	AM	AZ	RA	AT	AT1	AN	
1	AF101921	Camshaft Assembly	1	1	1	1	1	1	1	1	
2	39188020	Bearing - Ball	1	1	1	1	1	1	1	1	
3	AT511219	Decompression Assembly	1	1	1	1	1	1	1	1	
4	LPB00018	Bearing Ball	1	1	1	1	1	1	1	1	
5	KHDA0306	Pin Dowel	1	1	1	1	1	1	1	1	
6	AT511300	Spacer	1	1	1	1	1	1	1	1	
7	AT511218	Sprocket Camshaft	1	1	1	1	1	1	1	1	
8	LAD00376	Bolt Flanged-M8X1	1	1	1	1	1	1	1	1	
9	AT511216	Chain	1	1	1	1	1	1	1	1	
10	AT511214	Guide Chain Slack Side	1	1	1	1	1	1	1	1	
11	AT511215	Guide Chain Tight Side	1	1	1	1	1	1	1	1	
12	LAC00224	Bolt Socket Step M6X1	1	1	1	1	1	1	1	1	
13	DS101277	Tensioner Assembly	1	1	1	1	1	1	1	1	
14	39179021	Ring - O	1	1	1	1	1	1	1	1	
15	DD101062	Bolt	1	1	1	1	1	1	1	1	
16	39101421	Ring - O	1	1	1	1	1	1	1	1	

AU - RE PET
AF - RE CNG
AM - RE LPG

AZ - Maxima Z CNG
RA - Maxima Z LPG

AT - Maxima XWIDE CNG
AT1 - Maxima XWIDE LPG
AN - Maxima C CNG

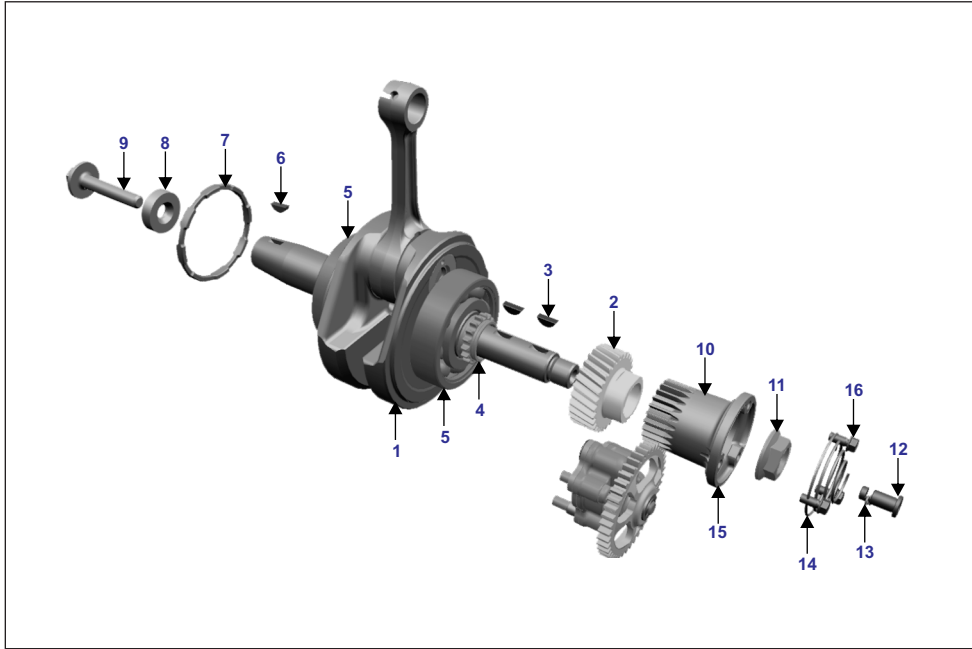


No.	Part No.	Description	RE			Z		XWIDE		C	Remarks
			AU	AF	AM	AZ	RA	AT	AT1	AN	
17	KAED0625	Bolt-Flanged-Small	2	2	2	2	2	2	2	2	
18	AT541021	Plate Stopper	1	1	1	1	1	1	1	1	
19	LAE00042	Bolt Flanged	2	2	2	2	2	2	2	2	
20	GF101139	Grommet	1	1	1	1	1	1	1	1	
21	JE351407	Sensor Temperature Engine	1	1	1	1	1	1	1	1	

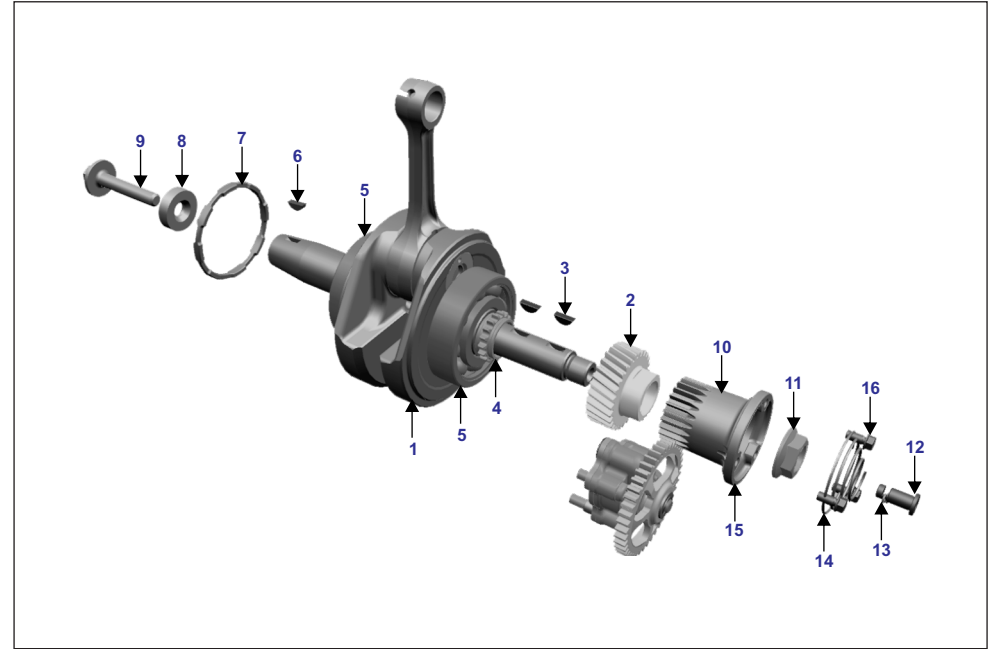
AU - RE PET
AF - RE CNG
AM - RE LPG

AZ - Maxima Z CNG
RA - Maxima Z LPG

AT - Maxima XWIDE CNG
AT1 - Maxima XWIDE LPG
AN - Maxima C CNG



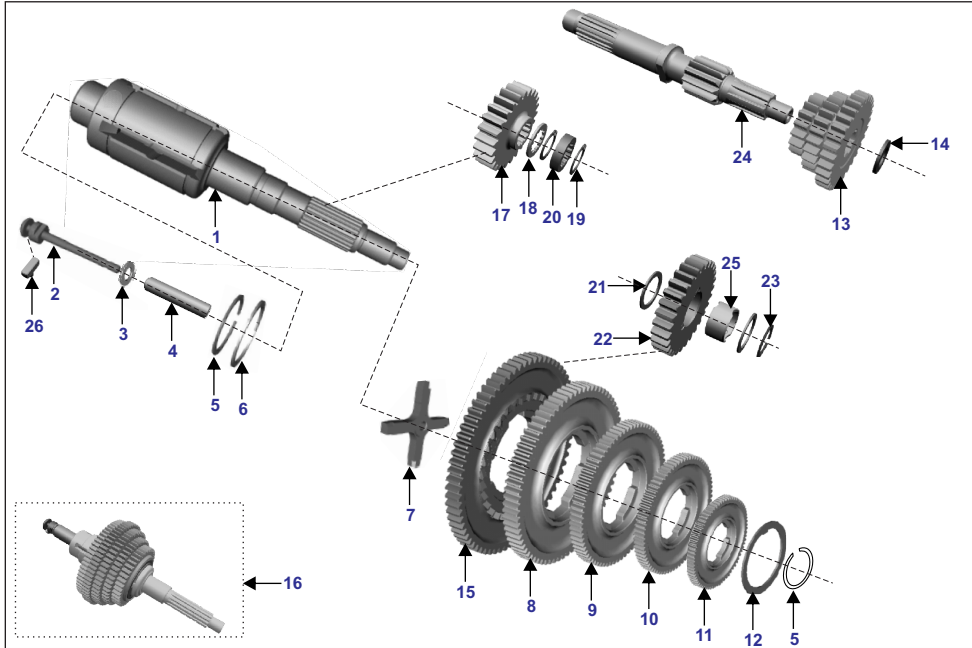
No.	Part No.	Description	RE			Z		XWIDE		C	Remarks
			AU	AF	AM	AZ	RA	AT	AT1	AN	
1	AT531009	Crankshaft Assembly	1	1	1	1	1	1	1	1	
2	AF101951	Pinion Primary	1	1	1	1	1	1	1	1	
2	AZ551227	Pinion Primary	-	-	-	1	1	1	1	1	
3	KFAB4050	Key Woodruff	2	2	2	2	2	2	2	2	
4	AF101772	Sprocket Crankshaft	1	1	1	1	1	1	1	1	
5	LPB00005	Bearing Ball-30X72X19	2	2	2	2	2	2	2	2	
6	AP101257	Key Woodruff	1	1	1	1	1	1	1	1	
7	AF101397	Damper	1	1	1	1	1	1	1	1	
8	LDB00041	Washer Plain	1	1	1	1	1	1	1	1	
9	LAD00124	Bolt Flange	1	1	1	1	1	1	1	1	
10	AT571002	Body Filter Oil	1	1	1	1	1	1	1	1	
11	LCG00022	Nut Hex	1	1	1	1	1	1	1	1	
12	DH101066	Joint Oil Delivery B	1	1	1	1	1	1	1	1	
13	39219908	Pin Snap	1	1	1	1	1	1	1	1	
14	DH101067	Spring Oil Delivery B	1	1	1	1	1	1	1	1	
15	AT571001	Gasket Filter Oil	1	1	1	1	1	1	1	1	



No.	Part No.	Description	RE			Z		XWIDE		C	Remarks
			AU	AF	AM	AZ	RA	AT	AT1	AN	
16	KAED0510	Bolt Flanged M5X0.8	3	3	3	3	3	3	3	3	
17	AT571004	Cover Assembly Filter Oil	1	1	1	1	1	1	1	1	

PLATE NO. 11: MAIN SHAFT

ALTERNATE FUEL
MF & BF OBD2B



No.	Part No.	Description	RE			Z		XWIDE		C	Remarks
			AU	AF	AM	AZ	RA	AT	AT1	AN	
1	AT551005	Shaft Output	1	1	1	1	1	1	1	1	
2	AT551007	Guide Stem	1	1	1	1	1	1	1	1	
3	BA132045	Washer - Tab	1	1	1	1	1	1	1	1	
4	AT551008	Guide Gear Shift	1	1	1	1	1	1	1	1	
5	21100711	Circlip	2	2	2	2	2	2	2	2	
6	1100711	Shoulder Ring 1	1	1	1	1	1	1	1	1	
6	1100712	Shoulder Ring 2	1	1	1	1	1	1	1	1	
6	1100713	Shoulder Ring 3	1	1	1	1	1	1	1	1	
6	1100714	Shoulder Ring 4	1	1	1	1	1	1	1	1	
6	1100715	Ring Shoulder No. 5	1	1	1	1	1	1	1	1	
7	AB101067	Cross	1	1	1	1	1	1	1	1	
8	AF102101	Gear Speed First	1	1	1	1	1	1	1	1	
9	AF102099	Gear Speed Second	1	1	1	-	-	-	-	-	
9	AZ551229	Gear Second Driven	-	-	-	1	1	1	1	1	
10	AF102100	Gear Third Driven	1	1	1	-	-	-	-	-	
10	AZ551230	Gear Third Driven	-	-	-	1	1	1	1	1	
11	AZ551213	Gear Speed-4Th	1	1	1	1	1	1	1	1	
12	15101171	Ring -Spacer Both Side	1	1	1	1	1	1	1	1	

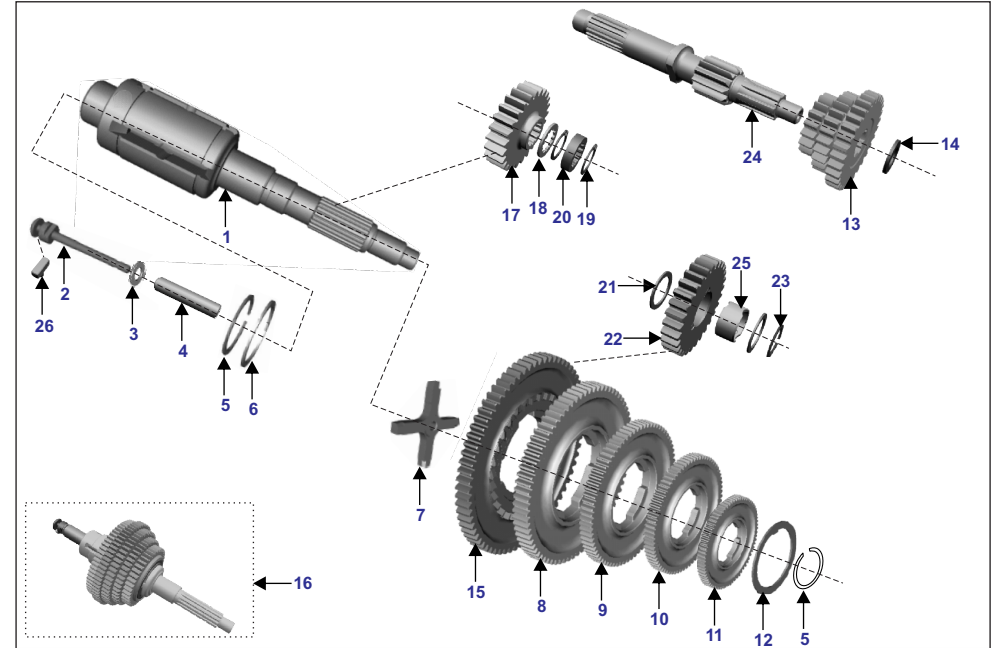
AU - RE PET
AF - RE CNG
AM - RE LPG

AZ - Maxima Z CNG
RA - Maxima ZLPG

AT - Maxima XWIDE CNG
AT1 - Maxima XWIDE LPG
AN - Maxima C CNG

PLATE NO. 11: MAIN SHAFT

ALTERNATE FUEL
MF & BF OBD2B



No.	Part No.	Description	RE			Z		XWIDE		C	Remarks
			AU	AF	AM	AZ	RA	AT	AT1	AN	
13	AF102103	Gear Multiple	1	1	1	-	-	-	-	-	
13	AZ551231	Gear Multiple	-	-	-	1	1	1	1	1	
14	AN101347	Washer Thrust	1	1	1	1	1	1	1	1	
15	AF102102	Gear Reverse	1	1	1	1	1	1	1	1	
16	AF102098	Shaft Assembly Output	1	1	1	-	-	-	-	-	
16	AZ551019	Shaft Assembly Output	-	-	-	1	1	1	1	1	
17	AF101954	Gear Drive Differential	1	1	1	-	-	-	-	-	
17	AZ551619	Gear Drive Differential	-	-	-	1	1	-	-	-	
17	AT551212	Gear Drive Differential	-	-	-	-	-	1	1	1	
18	AT551012	Washer Spline	1	1	1	1	1	1	1	1	
19	KEAB2012	Circlip External	2	2	2	2	2	2	2	2	
20	BF351806	Ring Magnet	1	1	1	1	1	1	1	1	
21	AT551217	Gear Reverse Idler-Bush	1	1	1	1	1	1	1	1	
22	39187411	Washer - Plain	2	2	2	2	2	2	2	2	
23	KEAB1610	Circlip External-Dia 14.7Xthk 1	1	1	1	1	1	1	1	1	
24	AT551006	Shaft Input	1	1	1	1	1	1	1	1	
25	BF551261	Bush Reverse Idler Gear	1	1	1	1	1	1	1	1	
26	BA132141	Slider Block	1	1	1	1	1	1	1	1	

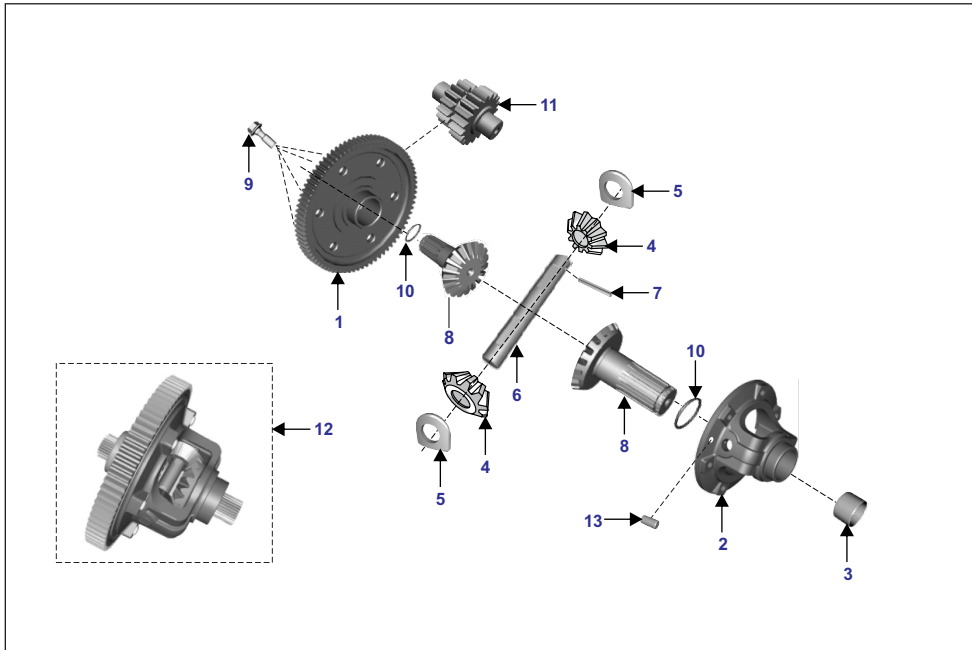
AU - RE PET
AF - RE CNG
AM - RE LPG

AZ - Maxima Z CNG
RA - Maxima ZLPG

AT - Maxima XWIDE CNG
AT1 - Maxima XWIDE LPG
AN - Maxima C CNG

PLATE NO. 12: DIFFERENTIAL - RE

ALTERNATE FUEL
MF & BF OBD2B



No.	Part No.	Description	RE			Z		XWIDE		C	Remarks
			AU	AF	AM	AZ	RA	AT	AT1	AN	
1	AF101963	Gear Differential	1	1	1	-	-	-	-	-	
2	AA102433	Housing Assembly Gear Satellite	1	1	1	-	-	-	-	-	
3	24130111	Bush - Bevel Gear Housing	1	1	1	-	-	-	-	-	
4	AA102435	Gear Satellite	2	2	2	-	-	-	-	-	
5	22131014	Spacer	2	2	2	-	-	-	-	-	
6	24131032	Pin - Bevel Gear	1	1	1	-	-	-	-	-	
7	KHCA0432	Pin Spring	1	1	1	-	-	-	-	-	
8	AA102438	Gear Bevel-Sm	2	2	2	-	-	-	-	-	
9	LAD00180	Bolt Flange	6	6	6	-	-	-	-	-	
10	DK101352	O-Ring Sprocket Collar	2	2	2	-	-	-	-	-	
11	AT551213	Gear Idler	1	1	1	-	-	-	-	-	
12	AF101953	Differential Assembly	1	1	1	-	-	-	-	-	
13	LHD00005	Pin Dowel	1	1	1	-	-	-	-	-	

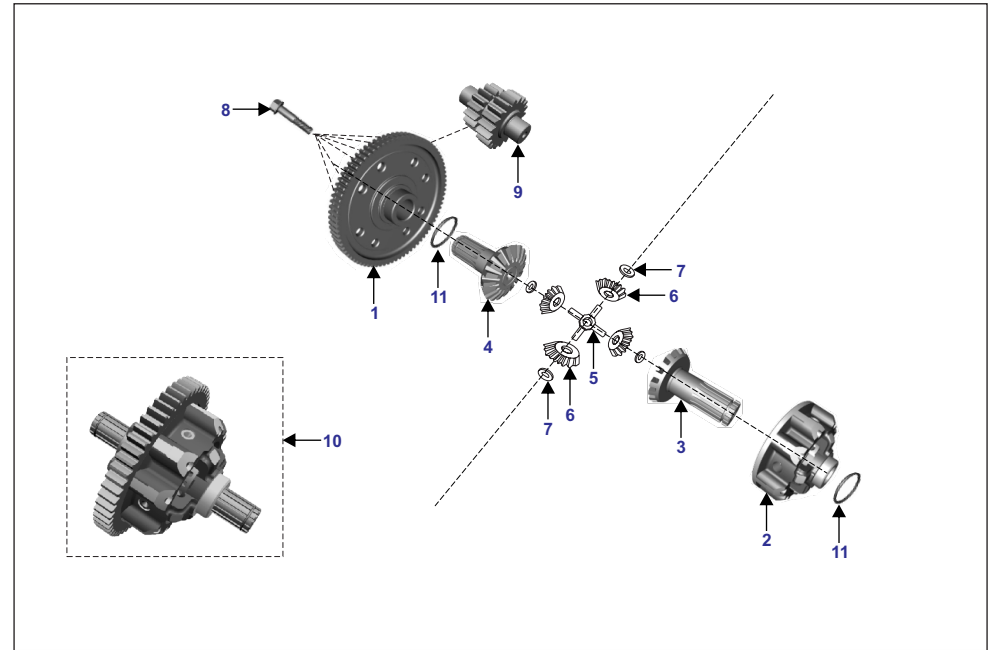
AU - RE PET
AF - RE CNG
AM - RE LPG

AZ - Maxima Z CNG
RA - Maxima ZLPG

AT - Maxima XWIDE CNG
AT1 - Maxima XWIDE LPG
AN - Maxima C CNG

PLATE NO. 13: DIFFERENTIAL

ALTERNATE FUEL
MF & BF OBD2B



No.	Part No.	Description	RE			Z		XWIDE		C	Remarks
			AU	AF	AM	AZ	RA	AT	AT1	AN	
1	AT551210	Gear Differential	-	-	-	1	1	1	1	1	
2	AN101406	Housing Assembly Gear Satellite	-	-	-	1	1	1	1	1	
3	AN101434	Gear Bevel Sg. Hsg. Side	-	-	-	1	1	1	1	1	
4	AN101435	Gear Bevel Diff. Gear Side	-	-	-	1	1	1	1	1	
5	AL131055	Cross - Differential	-	-	-	1	1	1	1	1	
6	AL131058	Gear - Satellite	-	-	-	4	4	4	4	4	
7	22131014	Spacer	-	-	-	4	4	4	4	4	
8	AN131018	Bolt Diffeerential Pre-Coating	-	-	-	8	8	8	8	8	
9	AZ551620	Gear Idler Differential	-	-	-	1	1	-	-	-	
9	AT551214	Gear Idler Differential	-	-	-	-	1	1	1		
10	AT551605	Gear Assembly Differential	-	-	-	1	1	1	1	1	
11	BH551800	Clip Lock Drive Shaft	-	-	-	2	2	2	2	2	

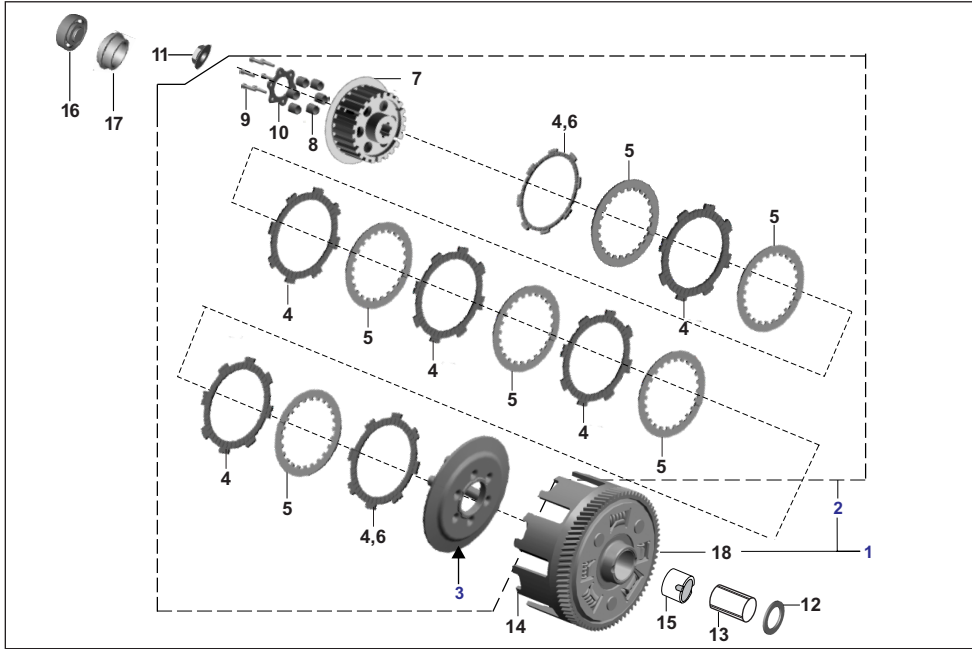
AU - RE PET
AF - RE CNG
AM - RE LPG

AZ - Maxima Z CNG
RA - Maxima ZLPG

AT - Maxima XWIDE CNG
AT1 - Maxima XWIDE LPG
AN - Maxima C CNG

PLATE NO. 14: CLUTCH COMPLETE

ALTERNATE FUEL
MF & BF OBD2B



No.	Part No.	Description	RE		Z		XWIDE		C	Remarks
			AU	AF	AM	AZ	RA	AT	AT1	
1	AF101964	Clutch Assembly	1	1	1	-	-	-	-	
1	AZ551416	Clutch Assembly	-	-	-	1	1	1	1	
2	AT551408	Plate Assembly Clutch	1	1	1	1	1	1	1	
3	AA101471	Wheel Clutch	1	1	1	1	1	1	1	
4	BF551449	Plate Friction	7	7	7	7	7	7	7	
5	BF551455	Plate Clutch	6	6	6	6	6	6	6	
6	AA102165	Spring Clutch	6	6	6	6	6	6	6	
7	KAAD0525	Bolt	6	6	6	6	6	6	6	
8	BF551417	Holder - Clutch	1	1	1	1	1	1	1	
9	LCG00022	Nut - Hexagon With Flange	1	1	1	1	1	1	1	
10	BC551471	Washer - Plain	1	1	1	1	1	1	1	
11	AA101213	Collar	1	1	1	1	1	1	1	
12	AA101207	Housing Clutch	1	1	1	1	1	1	1	
13	AA101009	Bush - Gear Primary	1	1	1	1	1	1	1	
14	DH101795	Clutch Lifter Bearing	1	1	1	1	1	1	1	
15	BF551418	Plate Holder	1	1	1	1	1	1	1	
16	AF101148	Housing Assembly Clutch	1	1	1	-	-	-	-	

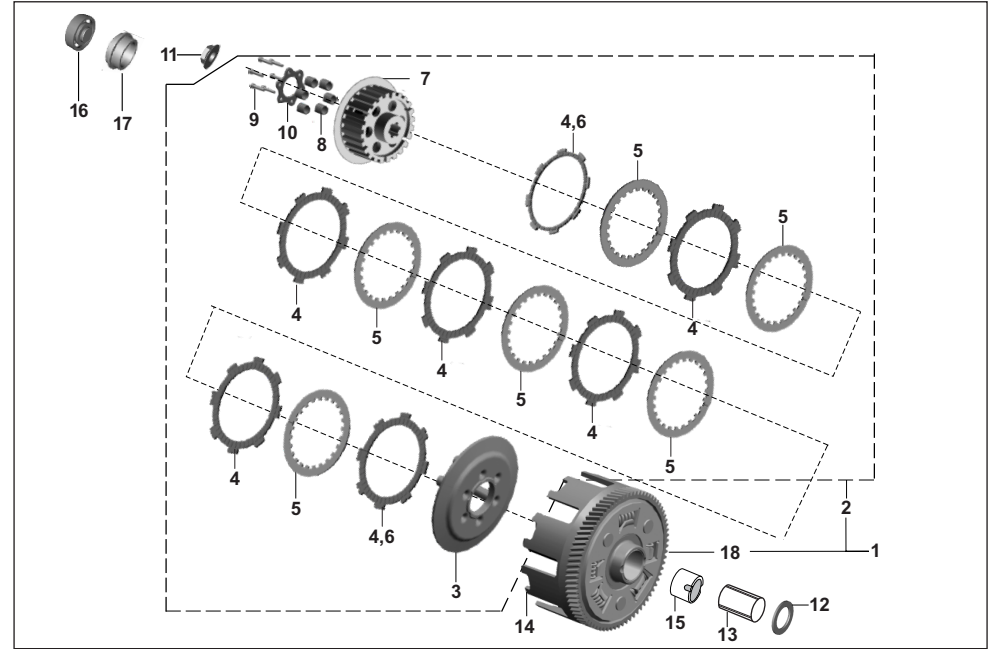
AU - RE PET
AF - RE CNG
AM - RE LPG

AZ - Maxima Z CNG
RA - Maxima ZLPG

AT - Maxima XWIDE CNG
AT1 - Maxima XWIDE LPG
AN - Maxima C CNG

PLATE NO. 14: CLUTCH COMPLETE

ALTERNATE FUEL
MF & BF OBD2B

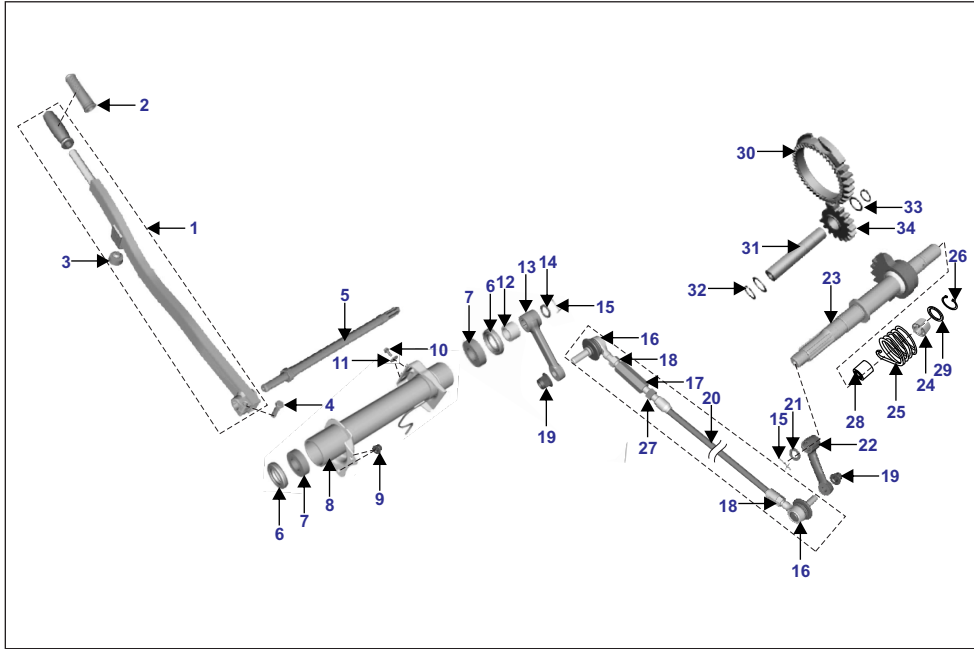


No.	Part No.	Description	RE		Z		XWIDE		C	Remarks
			AU	AF	AM	AZ	RA	AT	AT1	
16	AZ551417	Housing Assembly Clutch	-	-	-	1	1	1	1	1
17	31101141	Spring -Beleville	1	1	1	1	1	1	1	1
18	39105711	Plain Washer	1	1	1	1	1	1	1	1
19	AA101142	Holder -Clutch	1	1	1	1	1	1	1	1
20	AF101151	Gear Primary	1	1	1	-	-	-	-	-
20	AZ551203	Gear Primary Helical	-	-	-	1	1	1	1	1
21	BF551435	Washer Belleville	1	1	1	1	1	1	1	1
22	BF551441	Washer Clutch	1	1	1	1	1	1	1	1
23	36AF0073	Friction Plate Set-OBD2B	1	1	1	1	1	1	1	1

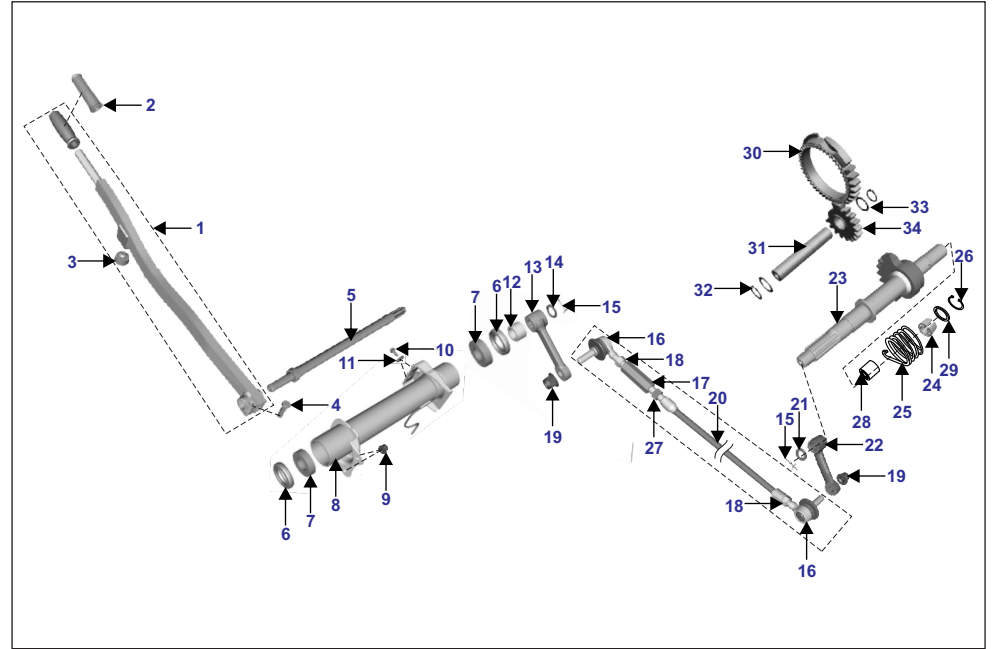
AU - RE PET
AF - RE CNG
AM - RE LPG

AZ - Maxima Z CNG
RA - Maxima ZLPG

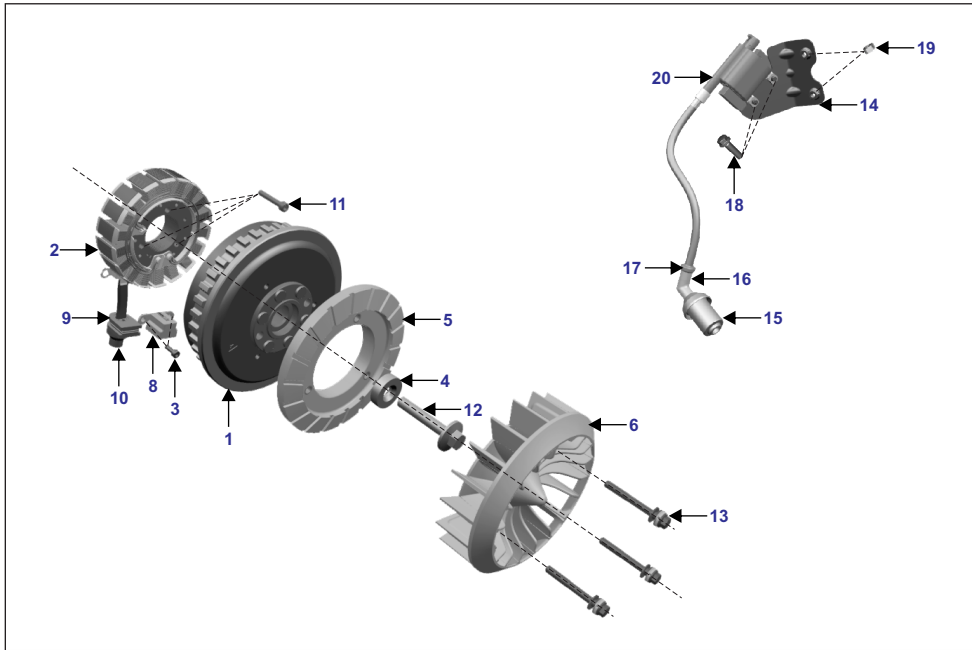
AT - Maxima XWIDE CNG
AT1 - Maxima XWIDE LPG
AN - Maxima C CNG



No.	Part No.	Description	RE			Z		XWIDE		C	Remarks
			AU	AF	AM	AZ	RA	AT	AT1	AN	
1	AA102281	Assembly Handle Starting	1	1	1	-	-	-	-	-	
2	AA102370	Grip Handle Starting	1	1	1	-	-	-	-	-	
3	DG161124	Damper	1	1	1	-	-	-	-	-	
4	KAAA0830	Bolt	1	1	1	-	-	-	-	-	
5	AA102363	Shaft Kick	1	1	1	-	-	-	-	-	
6	39173719	Oil Seal	2	2	2	-	-	-	-	-	
7	KPBC6004	Bearing-Ball-C3 Clearance	2	2	2	-	-	-	-	-	
8	AA102446	Tube Assembly	1	1	1	-	-	-	-	-	
9	KCGD0606	Nut Hex Flanged	2	2	2	-	-	-	-	-	
10	KADD0618	Bolt Flanged	2	2	2	-	-	-	-	-	
11	LDB00015	Washer Plain	2	2	2	-	-	-	-	-	
12	AA102301	Spacer	1	1	1	-	-	-	-	-	
13	AF102112	Lever Starting Front	1	1	1	-	-	-	-	-	
14	39024011	Washer Plain	1	1	1	-	-	-	-	-	
15	KHAA2025	Pin Cotter	3	3	3	-	-	-	-	-	
16	AA102350	Joint Ball	2	2	2	-	-	-	-	-	
17	AA102351	Connector	1	1	1	-	-	-	-	-	



No.	Part No.	Description	RE			Z		XWIDE		C	Remarks
			AU	AF	AM	AZ	RA	AT	AT1	AN	
18	LCA00025	Nut Hex	2	2	2	-	-	-	-	-	
19	KCKA1216	Nut Nyloc Flanged	2	2	2	-	-	-	-	-	
20	AF101999	Tube Assembly Connecting	1	1	1	-	-	-	-	-	
21	39024011	Washer Plain	1	1	1	-	-	-	-	-	
22	AF102113	Lever Starting Engine	1	1	1	-	-	-	-	-	
23	AT621000	Shaft Assembly Kick	1	1	1	-	-	-	-	-	
24	AA101215	Guide - Spring	1	1	1	-	-	-	-	-	
25	AA101209	Spring - Torsional	1	1	1	-	-	-	-	-	
26	30101053	Circlip	1	1	1	-	-	-	-	-	
27	KCAA1210	Nut Hex Thick	1	1	1	-	-	-	-	-	
28	JE621403	Bearing Needle	1	1	1	-	-	-	-	-	
29	LDB00106	Washer Plain	1	1	1	-	-	-	-	-	
30	AT551216	Gear Starter	1	1	1	-	-	-	-	-	
31	AT551011	Shaft Idler Kick	1	1	1	-	-	-	-	-	
32	KEAB1610	Circlip External	2	2	2	-	-	-	-	-	
33	39187411	Washer - Plain	2	2	2	-	-	-	-	-	
34	AT551218	Gear Assly Idler	1	1	1	-	-	-	-	-	

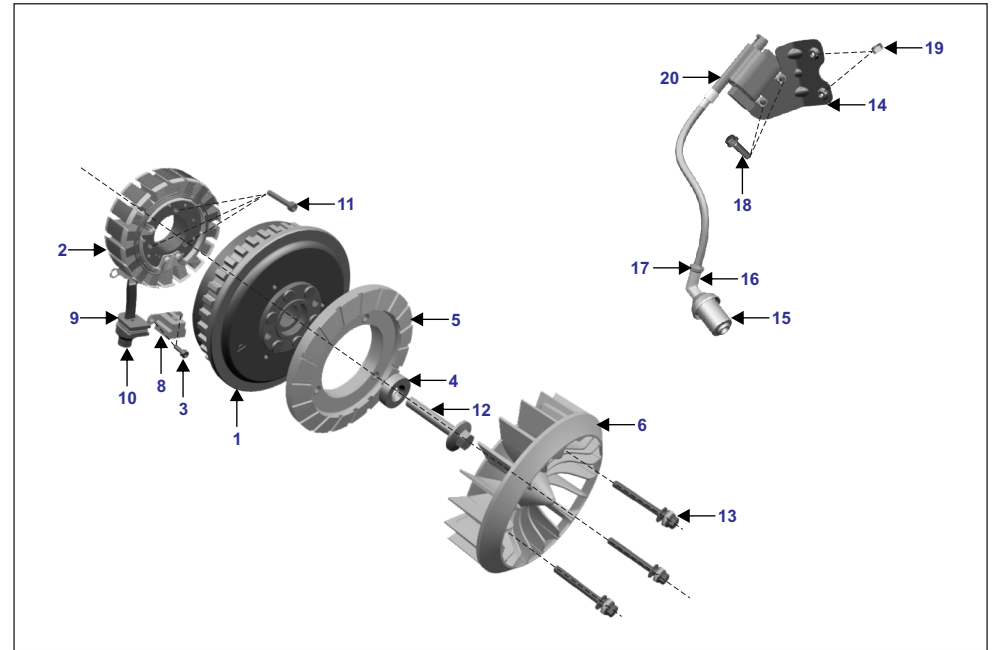


No.	Part No.	Description	RE			Z		XWIDE		C	Remarks
			AU	AF	AM	AZ	RA	AT	AT1	AN	
1	AT351013	Rotor Assembly	1	1	1	-	-	-	-	-	
2	AF111141	Stator Assembly	1	1	1	-	-	-	-	-	
2	AT351014	Stator Assembly	-	-	-	1	1	1	1	1	
3	LAC00051	Bolt Socket	2	2	2	2	2	2	2	2	
4	LDB00041	Washer Plain	1	1	1	1	1	1	1	1	
5	AZ601421	Base Fan	1	1	1	1	1	1	1	1	
6	AZ601403	Fan	1	1	1	1	1	1	1	1	
7	AF111140	Magneto Assembly	1	1	1	-	-	-	-	-	(Incl. Sr. 1,2,8)
7	AT351012	Magneto Assembly	-	-	-	1	1	1	1	1	(Incl. Sr. 1,2,8)
8	JG351012	Sensor Pick Up	1	1	1	1	1	1	1	1	
9	AT351018	Grommet G	1	1	1	1	1	1	1	1	
10	AT351019	Grommet H	1	1	1	1	1	1	1	1	
11	KACA0635	Bolt Socket M6X1	3	3	3	3	3	3	3	3	
12	LAD00124	Bolt Flange	1	1	1	1	1	1	1	1	
13	LAH00001	Bolt Wsp M6X1	3	3	3	3	3	3	3	3	
14	AF111113	Bracket Coil Ignition	1	1	1	-	-	-	-	-	
14	AZ111241	Bracket Assembly Coil Ignition	-	-	-	1	1	-	-	-	

AU - RE PET
AF - RE CNG
AM - RE LPG

AZ - Maxima Z CNG
RA - Maxima ZLPG

AT - Maxima XWIDE CNG
AT1 - Maxima XWIDE LPG
AN - Maxima C CNG



No.	Part No.	Description	RE			Z		XWIDE		C	Remarks
			AU	AF	AM	AZ	RA	AT	AT1	AN	
14	AT111255	Bracket Assy Coil Ignition	-	-	-	-	-	1	1	1	
15	AF111138	Grommet Cap Plug Spark	1	1	1	1	1	1	1	1	
16	AF111031	Cap Spark Plug Lh S Post	1	1	1	1	1	1	1	1	
17	AF111033	Grommet For H. T. Cable	1	1	1	1	1	1	1	1	
18	KAED0622	Bolt-Flanged-Small	2	2	2	-	-	-	-	-	
19	KCGD0606	Nut Hex Flanged	2	2	2	2	2	2	2	2	
20	AF111134	Coil Assembly Ignition	1	1	1	-	-	-	-	-	
20	AZ351223	Coil Assembly Ignition	-	-	-	1	1	-	-	-	
20	AT351219	Coil Assembly Ignition	-	-	-	-	-	1	1	1	
21	JY403604	Sensor Roll Over	1	-	-	-	-	-	-	-	NI

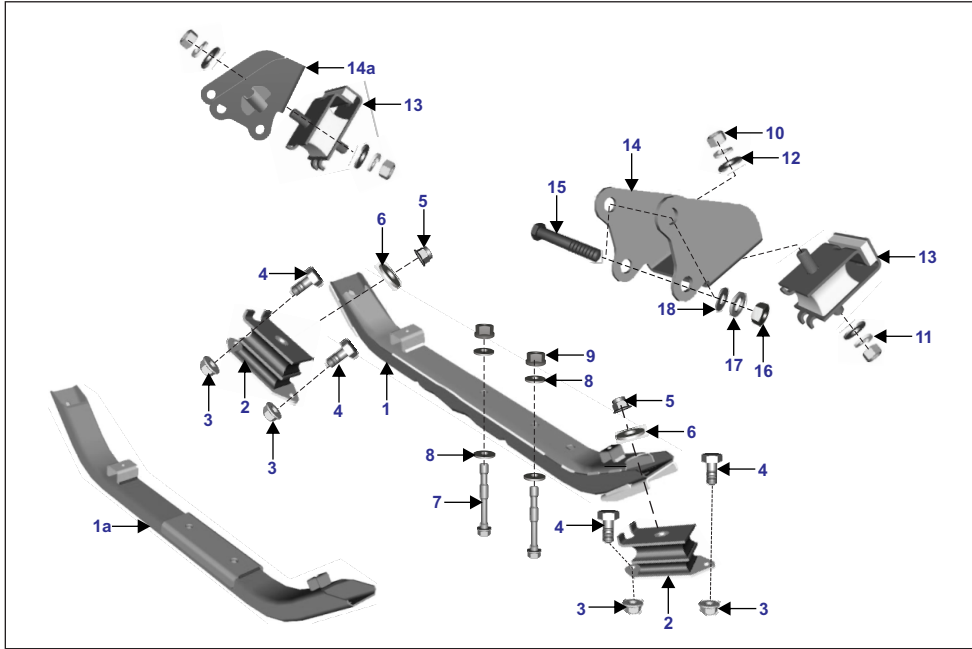
AU - RE PET
AF - RE CNG
AM - RE LPG

AZ - Maxima Z CNG
RA - Maxima ZLPG

AT - Maxima XWIDE CNG
AT1 - Maxima XWIDE LPG
AN - Maxima C CNG

PLATE NO. 20: ENGINE MOUNTING

ALTERNATE FUEL
MF & BF OBD2B



No.	Part No.	Description	RE		Z		XWIDE		C	Remarks	
			AU	AF	AM	AZ	RA	AT	AT1		AN
1	AF161300	Member Assembly Engine	1	1	1	1	1	-	-	-	
1a	AN161343	Member Assembly Engine Rear	-	-	-	-	-	1	1	1	
2	AA101816	Isolator - Rubber	2	2	2	2	2	2	2	2	
3	KCGD0606	Nut Hex Flanged	4	4	4	4	4	4	4	4	
4	KADD0614	Bolt Flanged	4	4	4	4	4	4	4	4	
5	KCKA0811	Nut Nyloc Flanged	2	2	2	2	2	2	2	2	
6	KDBA0818	Washer Plain	2	2	2	2	2	2	2	2	
7	LAD00164	Bolt - Hexagon Head :- M10	2	2	2	2	2	2	2	2	
8	LDB00049	Washer - Special	4	4	4	4	4	4	4	4	
9	LCG00017	Nut Hex. Thick	2	2	2	2	2	2	2	2	
10	39046715	Nut Hexagon	2	2	2	2	2	2	2	2	
11	KDDB1221	Washer Spring Thin	2	2	2	2	2	2	2	2	
12	KDBA1226	Washer Plain	2	2	2	2	2	2	2	2	
13	AF161281	Isolator	1	1	1	1	1	1	1	1	
14	AZ113450	Bracket Assembly Engine Front	1	1	1	1	1	-	-	-	
14a	AT113413	Bracket Engine Front	-	-	-	-	-	1	1	1	
15	LAD00216	Bolt Flanged-M10	2	2	2	2	2	2	2	2	
16	LCA00018	Nut Hex M10X1.5P	2	2	2	2	2	2	2	2	
17	KDDB1018	Washer Spring Thin	2	2	2	2	2	2	2	2	
18	39024811	Plain Washer	5	5	5	5	5	5	5	5	

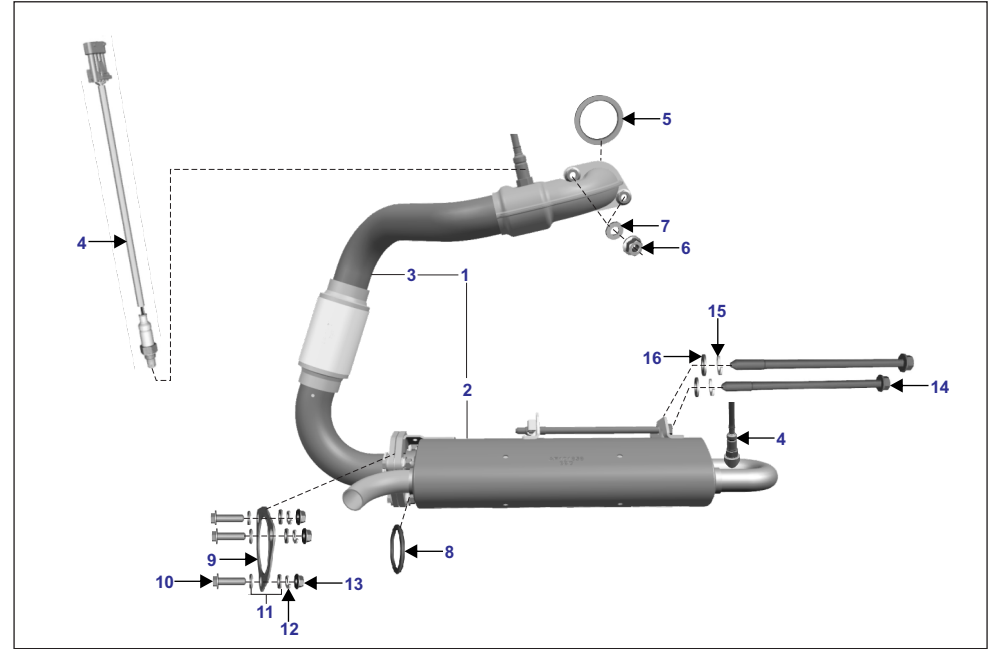
AU - RE PET
AF - RE CNG
AM - RE LPG

AZ - Maxima Z CNG
RA - Maxima ZLPG

AT - Maxima XWIDE CNG
AT1 - Maxima XWIDE LPG
AN - Maxima C CNG

PLATE NO. 21: SILENCER

ALTERNATE FUEL
MF & BF OBD2B

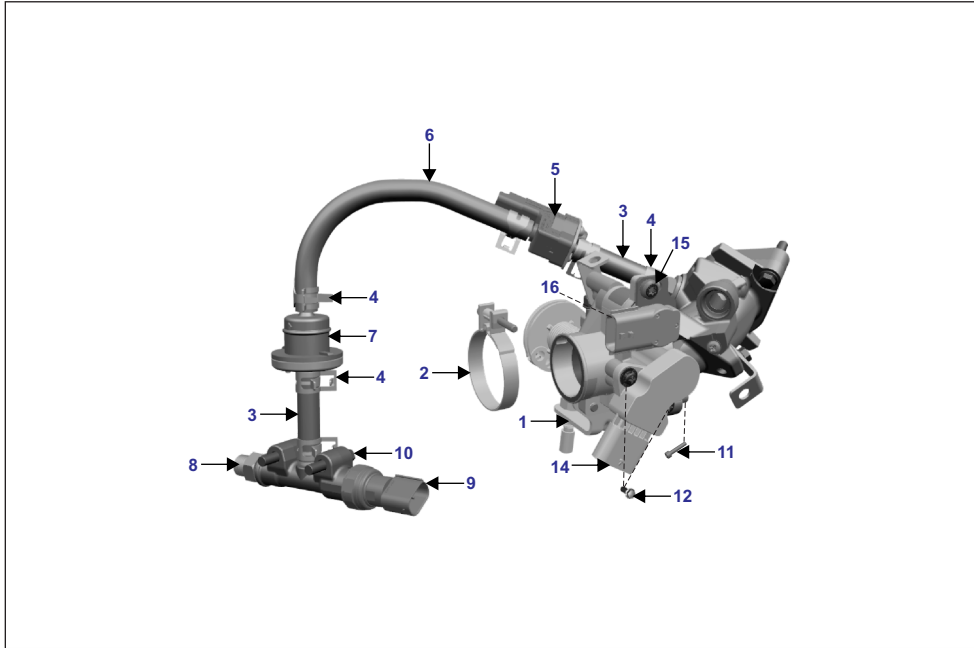


No.	Part No.	Description	RE		Z		XWIDE		C	Remarks	
			AU	AF	AM	AZ	RA	AT	AT1		AN
1	AA102673	Silencer Assembly	1	-	-	-	-	-	-	-	
1	AF102025	Silencer Assembly	-	1	1	-	-	-	-	1	
1	AM101204	Silencer Assembly	-	-	-	1	1	1	1	-	
2	AA102674	Muffler Assembly	1	-	-	-	-	-	-	-	
2	AF102026	Muffler Assembly	-	1	1	-	-	-	-	1	
2	AF102004	Muffler Assembly	-	-	-	1	1	1	1	-	
3	AF102082	Pipe Assembly A	1	1	1	1	1	1	1	1	
4	PD591845	Sensor Oxygen	2	2	2	2	2	2	2	2	
5	AZ591064	Gasket Exhaust	1	1	1	1	1	1	1	1	
6	KCGD0808	Nut - Hexagon	2	2	2	2	2	2	2	2	
7	39118011	Washer - Plain	2	2	2	2	2	2	2	2	
8	AP101194	Gasket Silencer	1	1	1	1	1	1	1	1	
9	AA102124	Gasket Silencer	1	1	1	1	1	1	1	1	
10	LAE00045	Bolt Flange	3	3	3	3	3	3	3	3	
11	LDA00028	Washer Plain	6	6	6	6	6	6	6	6	
12	KDDB0815	Washer Sp Thn	3	3	3	3	3	3	3	3	
13	39229515	Nut Hex	3	3	3	3	3	3	3	3	
14	LAD00246	Bolt Flange	2	2	2	2	2	2	2	2	
15	KDDB1018	Washer Spring Thin	2	2	2	2	2	2	2	2	
16	39258811	Washer Plain	2	2	2	2	2	2	2	2	

AU - RE PET
AF - RE CNG
AM - RE LPG

AZ - Maxima Z CNG
RA - Maxima ZLPG

AT - Maxima XWIDE CNG
AT1 - Maxima XWIDE LPG
AN - Maxima C CNG

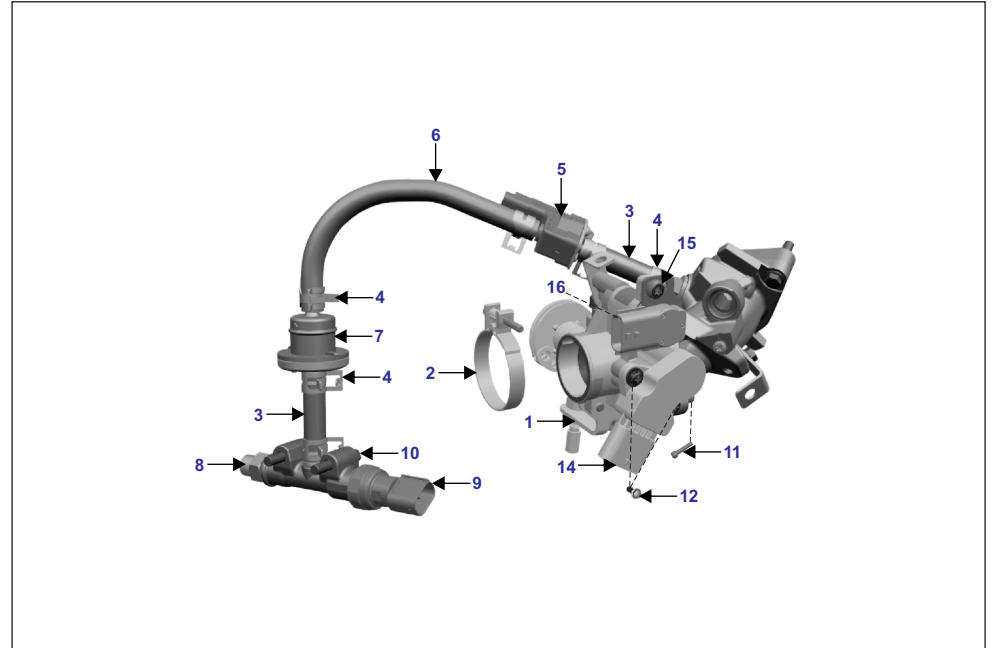


No.	Part No.	Description	RE		Z		XWIDE		C	Remarks
			AU	AF	AM	AZ	RA	AT	AT1	
1	AU611201	Body Throttle Assembly	1	-	-	-	-	-	-	PET
1	AF121641	Body Throttle Assembly	-	1	1	1	1	1	1	BF
2	DH121347	Clamp	1	1	1	1	1	1	1	
3	PF172004	Hose Filter-Injector-C	-	2	-	2	-	2	-	
3	AM141204	Hose Rail-Injector	-	-	2	-	2	-	-	
4	AP121074	Clamp Hose	6	6	6	6	6	6	6	
5	AF121568	Injector CNG	-	1	-	1	-	1	-	
5	BF611003	Injector Gas LPG	-	-	1	-	1	-	-	
6	AF141267	Hose Rail-Injector	-	1	-	-	-	-	-	
6	BF172274	Hose Rail-Injector	-	-	1	-	-	1	-	
6	AZ172131	Hose Rail-Injector	-	-	-	1	-	-	-	
6	RA172061	Hose Rail-Injector	-	-	-	-	1	-	1	
6	BF172240	Hose Rail Injector	-	-	-	-	1	-	1	
7	AF141208	Inline Filter	-	1	1	1	1	1	1	
8	AF141283	Rail Gas	-	1	1	1	1	1	1	
9	BF351811	Sensor Pressure-Temperature	-	1	1	1	1	1	1	

AU - RE PET
AF - RE CNG
AM - RE LPG

AZ - Maxima Z CNG
RA - Maxima ZLPG

AT - Maxima XWIDE CNG
AT1 - Maxima XWIDE LPG
AN - Maxima C CNG



No.	Part No.	Description	RE		Z		XWIDE		C	Remarks
			AU	AF	AM	AZ	RA	AT	AT1	
10	KAED0630	Bolt-Flanged-Small	-	2	2	2	2	2	2	
11	KACC0630	Bolt Socket M6X1	2	2	2	2	2	2	2	
12	JG581423	Fixing Screw_M4X13	3	3	3	3	3	3	3	
13	36PD0112	3 In 1 Sensor Kit	1	1	1	1	1	1	1	NI
14	PD351801	Sensor Body Throttle	1	1	1	1	1	1	1	
15	JG581424	Fixing Screw	2	2	2	2	2	2	2	
16	PD611219	Motor Stepper	1	1	1	1	1	1	1	

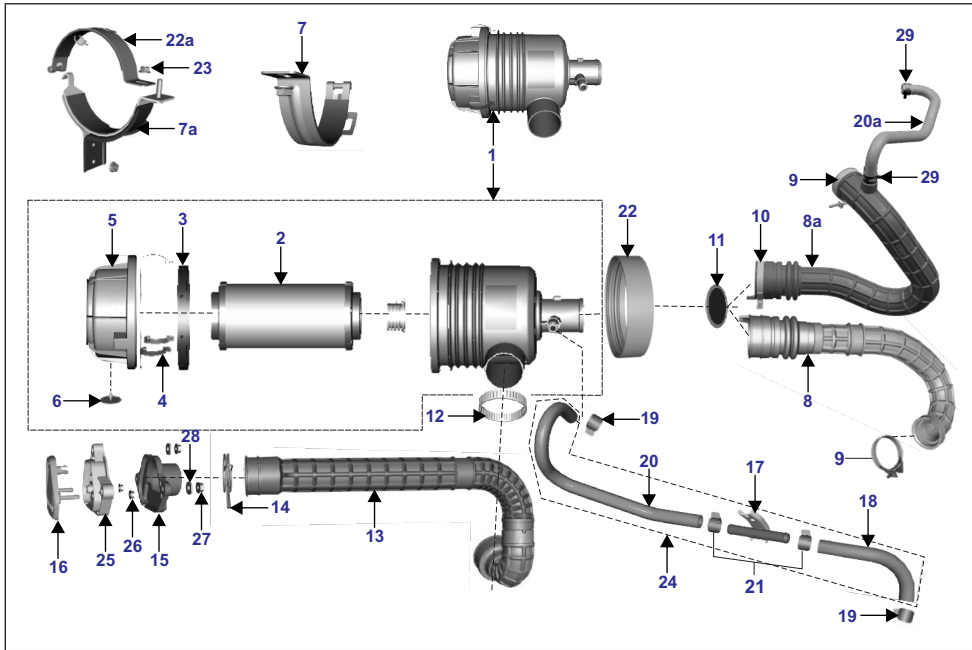
AU - RE PET
AF - RE CNG
AM - RE LPG

AZ - Maxima Z CNG
RA - Maxima ZLPG

AT - Maxima XWIDE CNG
AT1 - Maxima XWIDE LPG
AN - Maxima C CNG

PLATE NO. 23: AIR FILTER COMPLETE

ALTERNATE FUEL
MF & BF OBD2B



No.	Part No.	Description	RE		Z		XWIDE		C	Remarks
			AU	AF	AM	AZ	RA	AT	AT1	
1	AA121458	Filter Assembly Air Pet	1	-	-	-	-	-	-	
1	AT581100	Filter Assembly Air	-	1	1	1	1	1	1	
1	AN121328	Filter Assembly Air	-	-	-	-	-	-	1	
2	AM121213	Element Air Filter	1	1	1	1	1	1	1	
3	AA121148	Gasket Sealing	1	1	1	1	1	1	1	
4	AA121149	Clip Air Filter	3	3	3	3	3	3	3	
5	AM121210	Cover Breather Pet	1	-	-	-	-	-	-	
5	AA121193	Cover Assembly	-	1	1	1	1	1	1	
6	AA121147	Valve Dust Ejector	1	1	1	1	1	1	1	
7	AA231142	Clamp Air Filter	1	1	1	-	-	-	-	
7a	RC113801	Assembly Bkt Air Filter Mtg	-	-	-	1	1	1	1	
8	AA121472	Duct Assembly Filter Air Outlet	1	-	-	-	-	-	-	
8a	AF121623	Assembly Duct Integral	-	1	1	-	-	-	-	
8a	AZ581138	Tube Assembly Connecting	-	-	-	1	1	1	1	
9	DH121347	Clamp	1	1	1	1	1	1	1	
10	JU581014	Clamp-Sm	1	1	1	1	1	1	1	
11	AZ581009	Arrester Backfire	1	1	1	1	1	1	1	
12	BB131040	Clamp	1	1	1	1	1	1	1	
13	AA121286	Assembly Hose Integral	1	1	1	-	-	-	-	

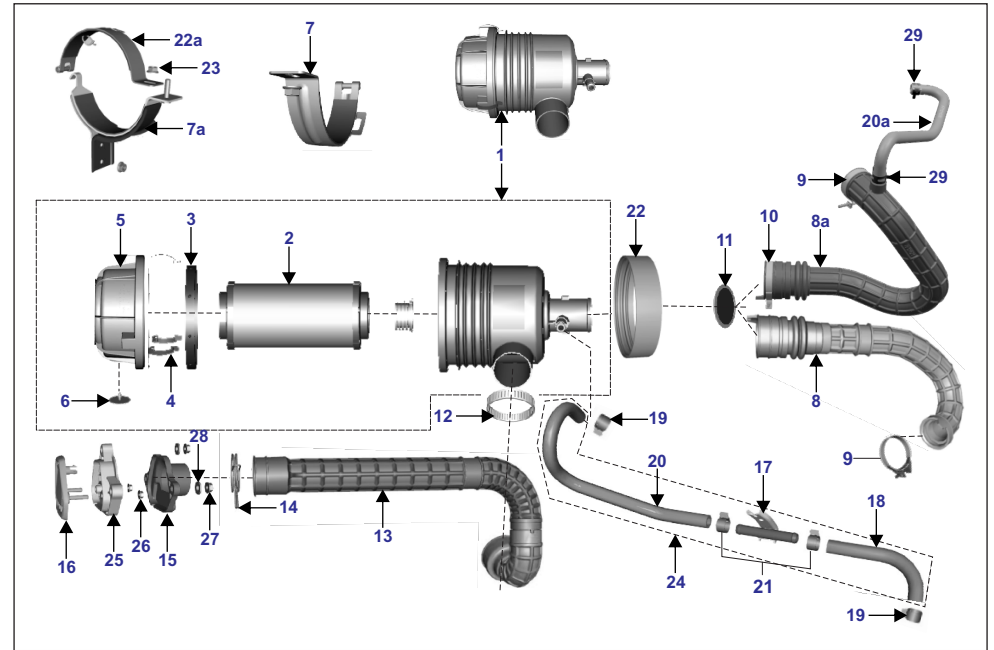
AU - RE PET
AF - RE CNG
AM - RE LPG

AZ - Maxima Z CNG
RA - Maxima ZLPG

AT - Maxima XWIDE CNG
AT1 - Maxima XWIDE LPG
AN - Maxima C CNG

PLATE NO. 23: AIR FILTER COMPLETE

ALTERNATE FUEL
MF & BF OBD2B



No.	Part No.	Description	RE		Z		XWIDE		C	Remarks
			AU	AF	AM	AZ	RA	AT	AT1	
14	24121749	Clamp	1	1	1	-	-	-	-	
15	AA121381	Pipe Intake Air	1	1	1	-	-	-	-	
16	AA121370	Grill Intake Air	1	1	1	-	-	-	-	
17	AZ581115	Connector Assembly	1	-	-	-	-	-	-	
18	AZ581113	Pipe Breather Cover Side	1	-	-	-	-	-	-	
19	24121476	Spring Clamp	2	-	-	-	-	-	-	
20	AA121460	Pipe Breather	1	-	-	-	-	-	-	
20a	AF121639	Pipe Breather	-	1	1	-	-	-	-	
20a	AZ581141	Pipe Breather Filter Side	-	-	-	1	1	1	1	
21	JL581063	Clamp Sai	2	-	-	-	-	-	-	
22	AA121344	Sleeve Filter Air	1	1	1	-	-	-	-	
22a	BG581006	Clamp Air Filter	-	-	-	1	1	1	1	
23	KCGD0808	Nut - Hexagon With Flange	2	2	2	2	2	2	2	
24	AA121459	Pipe Assembly Breather	1	-	-	-	-	-	-	
25	AA121390	Grill Intake Air Inner	1	1	1	-	-	-	-	
26	KCGD0505	Nut Hex Flanged	2	2	2	-	-	-	-	
27	KCGD0606	Nut Hex Flanged	3	3	3	-	-	-	-	
28	39071111	Washer	3	3	3	-	-	-	-	
29	BF601014	Clamp Hose Bypass	-	2	2	2	2	2	2	

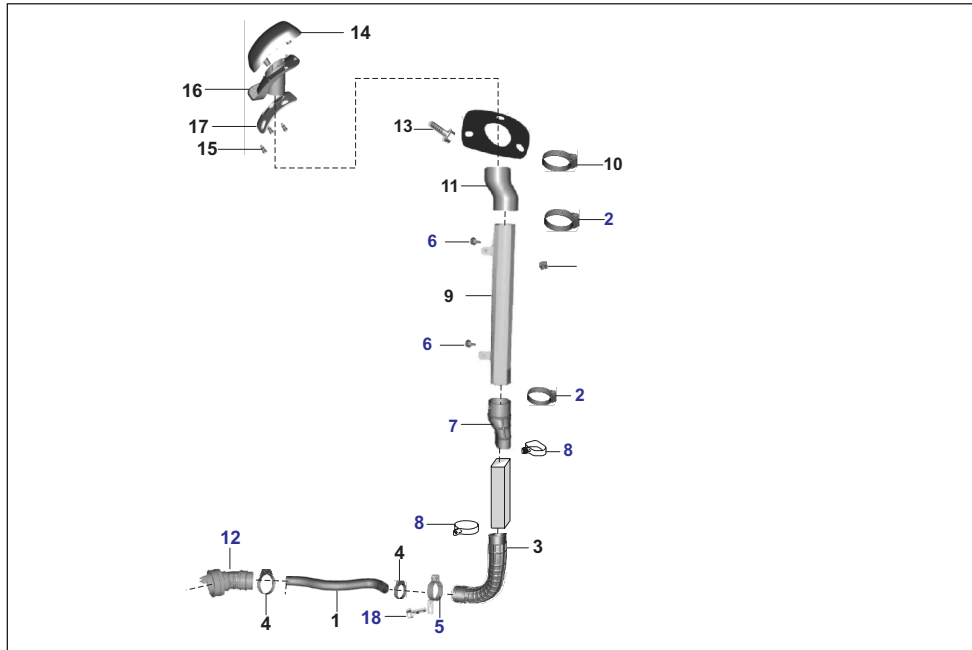
AU - RE PET
AF - RE CNG
AM - RE LPG

AZ - Maxima Z CNG
RA - Maxima ZLPG

AT - Maxima XWIDE CNG
AT1 - Maxima XWIDE LPG
AN - Maxima C CNG

PLATE NO. 24: PIPE AIR INTAKE - Z

ALTERNATE FUEL
MF & BF OBD2B



No.	Part No.	Description	RE			Z		XWIDE		C	Remarks
			AU	AF	AM	AZ	RA	AT	AT1	AN	
1	AZ581034	Pipe air filter inlet	-	-	-	1	1	-	-	-	
2	24170431	Clip - hose	-	-	-	2	2	-	-	-	
3	AZ581076	Elbow Rubber	-	-	-	1	1	-	-	-	
4	AZ581026	Clamp	-	-	-	2	2	-	-	-	
5	AZ581024	Clip duct air body	-	-	-	1	1	-	-	-	
6	KADD0612	Bolt - flanged	-	-	-	4	4	-	-	-	
7	BH581024	Elbow Rubber Upper	-	-	-	1	1	-	-	-	
8	BH581010	Clip elbow lower end	-	-	-	2	2	-	-	-	
9	AZ581018	Pipe air intake upper	-	-	-	1	1	-	-	-	
10	BB131040	Hose Clamp - DIA.60	-	-	-	1	1	-	-	-	
11	BH581025	Elbow Rubber TOP	-	-	-	1	1	-	-	-	
12	AZ581032	Bellow For Pipe A/F Inlet	-	-	-	1	1	-	-	-	
13	KADD0620	bolt	-	-	-	3	3	-	-	-	
14	AZ185001	Grill Air Intake Snorkel Top UG	-	-	-	1	1	-	-	-	
15	JG581015	Insert (M6*1)	-	-	-	3	3	-	-	-	
16	AZ185002	Grill Air Intake Snorkel BTM UG	-	-	-	1	1	-	-	-	
17	AZ185003	Packing Snorkel Cover UG	-	-	-	1	1	-	-	-	
18	KCMB0504	Bolt-flanged-small	-	-	-	1	1	-	-	-	

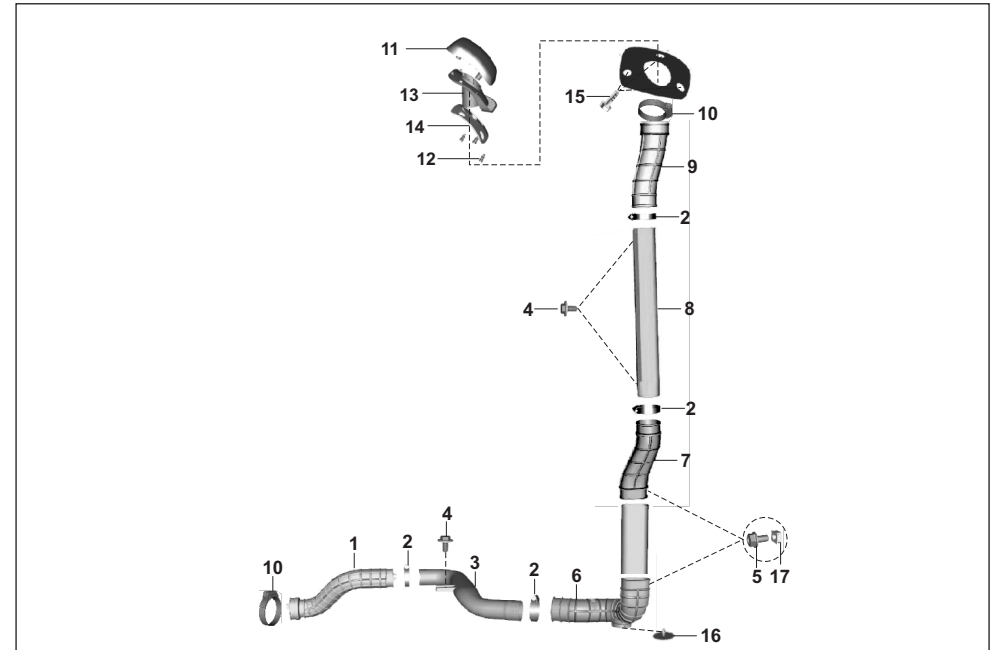
AU - RE PET
AF - RE CNG
AM - RE LPG

AZ - Maxima Z CNG
RA - Maxima ZLPG

AT - Maxima XWIDE CNG
AT1 - Maxima XWIDE LPG
AN - Maxima C CNG

PLATE NO. 25: PIPE AIR INTAKE - XWIDE

ALTERNATE FUEL
MF & BF OBD2B



No.	Part No.	Description	RE			Z		XWIDE		C	Remarks
			AU	AF	AM	AZ	RA	AT	AT1	AN	
1	AT581057	Elbow Rubber-Air Filter Inlet	-	-	-	-	-	1	1	-	
2	24170431	Hose Clip	-	-	-	-	-	4	4	-	
3	AT581048	Pipe Inlet-A	-	-	-	-	-	1	1	-	
4	LAG00007	Bolt WP	-	-	-	-	-	3	3	-	
5	KADF0612	Bolt Flanged	-	-	-	-	-	2	2	-	
6	BB103419	Elbow Assembly Bottom	-	-	-	-	-	1	1	-	
7	BB121107	Rubber Elbow Lower End	-	-	-	-	-	1	1	-	
8	AZ581018	Pipe air intake upper	-	-	-	-	-	1	1	-	
9	BB121108	Rubber Elbow Top End	-	-	-	-	-	1	1	-	
10	BB131040	Hose Clamp - DIA.60	-	-	-	-	-	2	2	-	
11	BH185001	Grill Air Intake Snorkel Top	-	-	-	-	-	1	1	-	
12	JG581015	Insert (M6*1)	-	-	-	-	-	3	3	-	
13	BH185002	Grill Air Intake Snorkel Bottom	-	-	-	-	-	1	1	-	
14	BH185003	Packing Snorkel FL	-	-	-	-	-	1	1	-	
15	KADF0620	Bolt Flanged	-	-	-	-	-	3	3	-	
16	BB121109	Rubber Flap Drain	-	-	-	-	-	1	1	-	
17	BH581010	Clip Elbow Lower End	-	-	-	-	-	2	2	-	

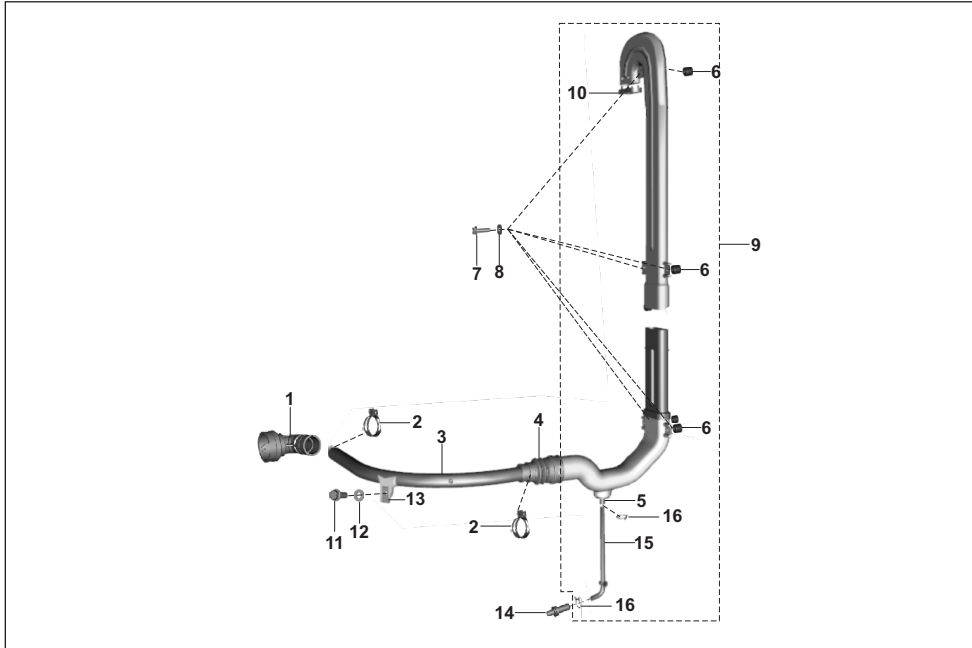
AU - RE PET
AF - RE CNG
AM - RE LPG

AZ - Maxima Z CNG
RA - Maxima ZLPG

AT - Maxima XWIDE CNG
AT1 - Maxima XWIDE LPG
AN - Maxima C CNG

PLATE NO. 26: PIPE AIR INTAKE - C

ALTERNATE FUEL
MF & BF OBD2B



No.	Part No.	Description	RE		Z		XWIDE		C	Remarks
			AU	AF	AM	AZ	RA	AT	AT1	
1	AN121319	Duct Filter Air Inlet	-	-	-	-	-	-	1	
2	DG101262	Clamp	-	-	-	-	-	-	2	
3	RC581003	Pipe a/f inlet	-	-	-	-	-	-	1	
4	AN121185	Bellow - Intake Elbow	-	-	-	-	-	-	1	
5	AL103003	Plug drain	-	-	-	-	-	-	1	
6	BG581404	Damper	-	-	-	-	-	-	5	
7	KADF0625	Bolt flanged	-	-	-	-	-	-	5	
8	39081411	Plain washer id6.2 od11 t1.2	-	-	-	-	-	-	5	
9	RC581400	Assembly air intake cargo cng	-	-	-	-	-	-	1	
10	BG581405	Mesh air intake	-	-	-	-	-	-	1	
11	KADF0820	Bolt flanged	-	-	-	-	-	-	1	
12	39118011	Washer	-	-	-	-	-	-	1	
13	24161297	Clip nut m8x1.25	-	-	-	-	-	-	1	
14	DS121126	Plug	-	-	-	-	-	-	1	
15	JA581012	Tube drain	-	-	-	-	-	-	1	
16	DP121025	Clamp	-	-	-	-	-	-	2	

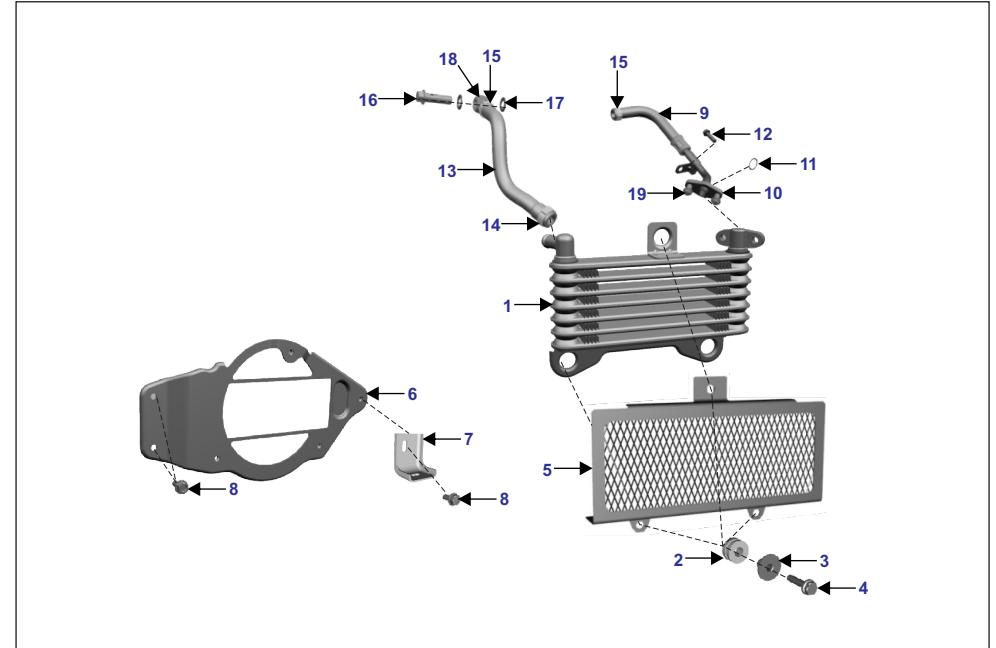
AU - RE PET
AF - RE CNG
AM - RE LPG

AZ - Maxima Z CNG
RA - Maxima ZLPG

AT - Maxima XWIDE CNG
AT1 - Maxima XWIDE LPG
AN - Maxima C CNG

PLATE NO. 27: OIL COOLER

ALTERNATE FUEL
MF & BF OBD2B

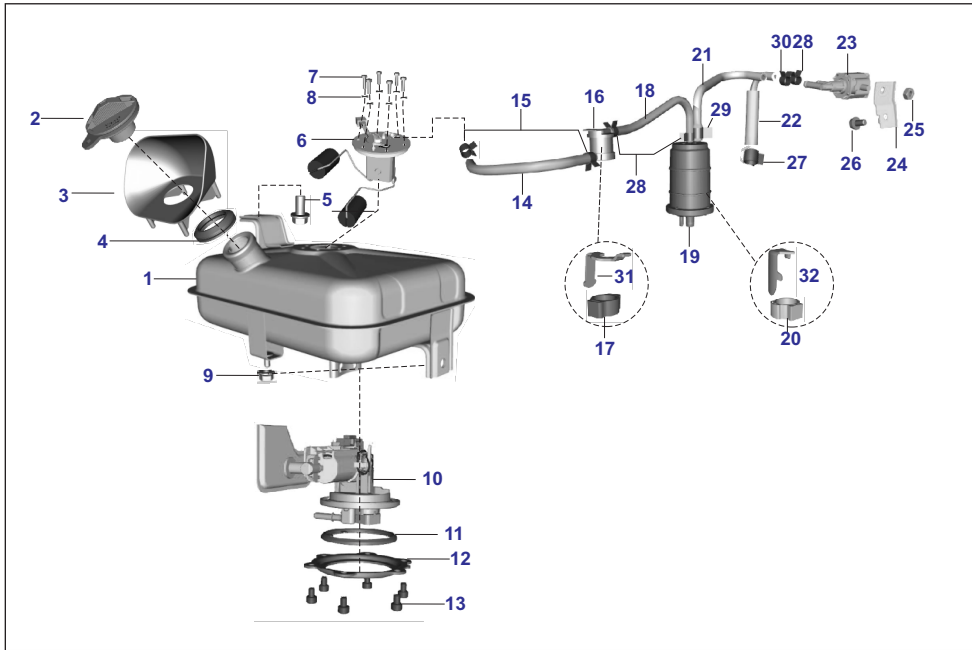


No.	Part No.	Description	RE		Z		XWIDE		C	Remarks
			AU	AF	AM	AZ	RA	AT	AT1	
1	AF101611	Cooler Oil	1	1	1	1	1	1	1	
2	AZ571212	Grommet	3	3	3	3	3	3	3	
3	AZ571213	Collar	3	3	3	3	3	3	3	
4	39167504	Bolt Flanged M6X28	3	3	3	3	3	3	3	
5	AZ571227	Guard Cooler Oil	1	1	1	1	1	1	1	
6	AF101962	Bracket Assembly Cooler Oil	1	1	1	1	1	1	1	
7	AZ571230	Bracket Support Cooler Oil	1	1	1	1	1	1	1	
8	KADF0614	Bolt Flanged	3	3	3	3	3	3	3	
9	AF102002	Pipe Assembly Oil Hot	1	1	1	1	1	1	1	
10	DK101232	Flange Oil Cooler Pipe	1	1	1	1	1	1	1	
11	DK101340	'O' Ring (Oil Cooler Pipe)	1	1	1	1	1	1	1	
12	KAED0620	Bolt Flanged M6X1	1	1	1	1	1	1	1	
13	AF101932	Pipe Oil Cool	1	1	1	1	1	1	1	
14	JE571239	Clamp Cooler Oil	1	1	1	1	1	1	1	
15	JE571234	Clamp Oil Cooler K11 Ug	2	2	2	2	2	2	2	
16	DK101236	Bolt Banjo M10X1.25	1	1	1	1	1	1	1	
17	DK101237	Washer Copper Oil Cooler	2	2	2	2	2	2	2	
18	AF101977	Banjo Assembly	1	1	1	1	1	1	1	
19	LAE00042	Bolt Flanged-M6X1	2	2	2	2	2	2	2	

AU - RE PET
AF - RE CNG
AM - RE LPG

AZ - Maxima Z CNG
RA - Maxima ZLPG

AT - Maxima XWIDE CNG
AT1 - Maxima XWIDE LPG
AN - Maxima C CNG

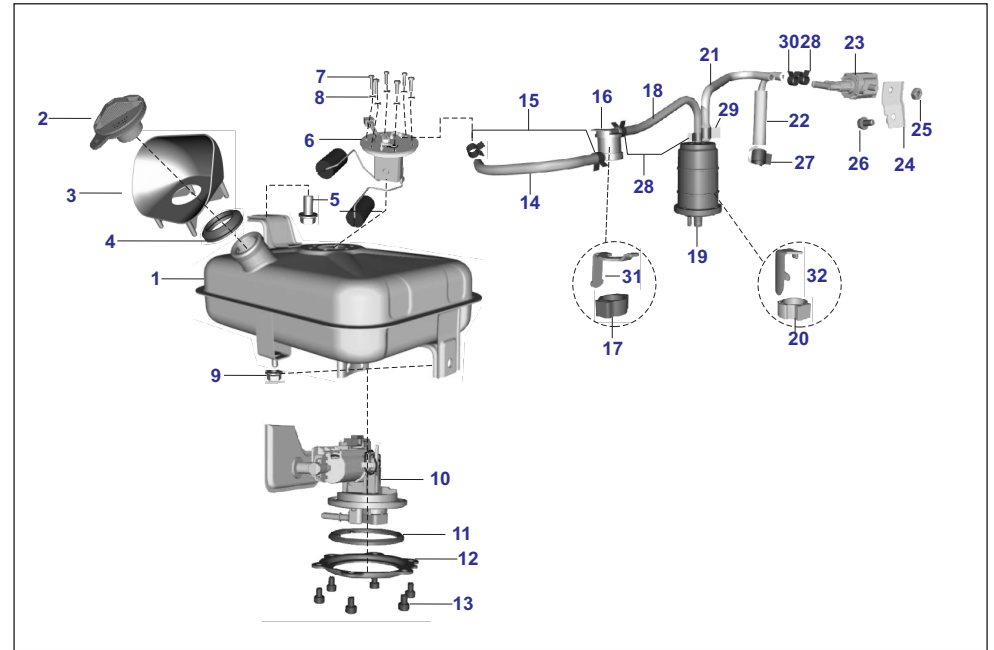


No.	Part No.	Description	RE		Z		XWIDE		C		Remarks
			AU	AF	AM	AZ	RA	AT	AT1	AN	
1	AA141144	Tank Assembly Welded - PET	1	-	-	-	-	-	-	-	
2	AA141140	Cap Assembly Evap	1	-	-	-	-	-	-	-	
3	AA141079	Baffle Fuel Spillage	1	-	-	-	-	-	-	-	
4	AA141216	Grommet Sm	1	-	-	-	-	-	-	-	
5	KADD0816	Bolt Flanged	1	-	-	-	-	-	-	-	
6	AA201692	Sensor Level Fuel	1	-	-	-	-	-	-	-	
7	LAD00067	Bolt Flanged	6	-	-	-	-	-	-	-	
8	KDAB0611	Washer Plain Small	6	-	-	-	-	-	-	-	
9	KCGA0808	Nut Hex Flanged	2	-	-	-	-	-	-	-	
10	AA201375	Pump Fuel	1	-	-	-	-	-	-	-	
11	JH171803	Gasket Fuel Pump Mtg	1	-	-	-	-	-	-	-	
12	JH171804	Plate Pressure	1	-	-	-	-	-	-	-	
13	KACF0610	Bolt Socket M6X1	6	-	-	-	-	-	-	-	
14	AA141161	Pipe Tank - Ro Valve	1	-	-	-	-	-	-	-	
15	AA141046	Spring Band Clip 7.8 Mm	2	-	-	-	-	-	-	-	
16	GL171031	Valve One Way	1	-	-	-	-	-	-	-	
17	BF171622	Damper	1	-	-	-	-	-	-	-	

AU - RE PET
AF - RE CNG
AM - RE LPG

AZ - Maxima Z CNG
RA - Maxima Z LPG

AT - Maxima XWIDE CNG
AT1 - Maxima XWIDE LPG
AN - Maxima C CNG

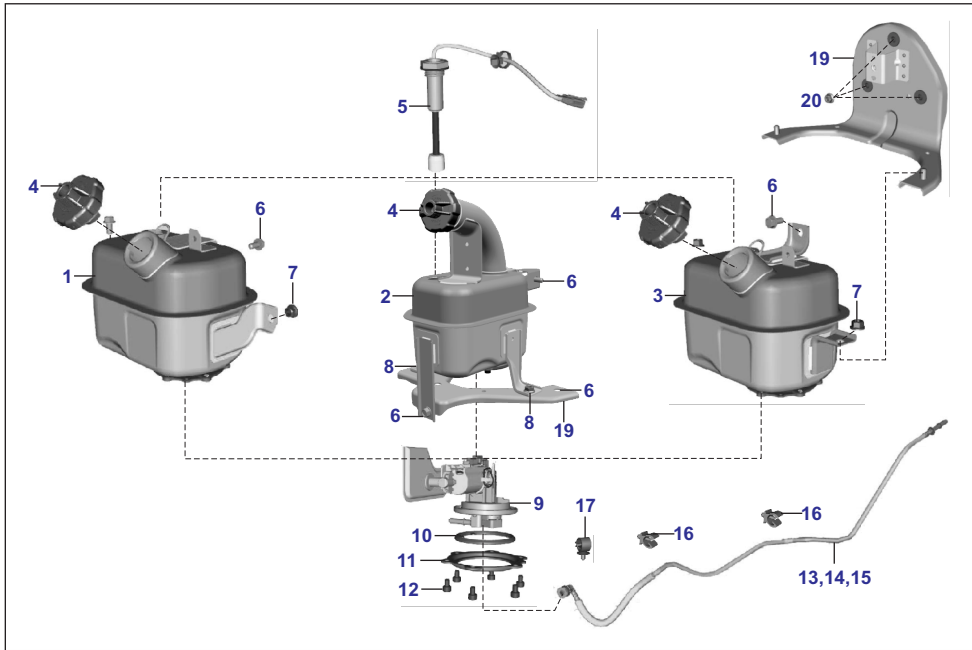


No.	Part No.	Description	RE		Z		XWIDE		C		Remarks
			AU	AF	AM	AZ	RA	AT	AT1	AN	
18	AA141164	Pipe Ro Valve - Canister	1	-	-	-	-	-	-	-	
19	GL171072	Round Canister	1	-	-	-	-	-	-	-	
20	AA141180	Damper Canister	1	-	-	-	-	-	-	-	
21	AA141250	Pipe Fuel	1	-	-	-	-	-	-	-	
22	AA141248	Pipe Assly Valve Purge-Engine	1	-	-	-	-	-	-	-	
23	JU171606	Valve Purge	1	-	-	-	-	-	-	-	
24	AA141188	Bracket	1	-	-	-	-	-	-	-	
25	KCAA0605	Nut Hex Thick	1	-	-	-	-	-	-	-	
26	KADD0612	Bolt Flanged	1	-	-	-	-	-	-	-	
27	JY171070	Clamp	1	-	-	-	-	-	-	-	
28	AA141046	Spring Band Clip	2	-	-	-	-	-	-	-	
29	JY171090	Clamp	1	-	-	-	-	-	-	-	
30	JG171029	Clamp	1	-	-	-	-	-	-	-	
31	AA141177	Locator Valve Roll Over	1	-	-	-	-	-	-	-	
32	AA141179	Locator Canister	1	-	-	-	-	-	-	-	
33	YAU02001	Strainer Fuel Pump	1	-	-	-	-	-	-	-	

AU - RE PET
AF - RE CNG
AM - RE LPG

AZ - Maxima Z CNG
RA - Maxima Z LPG

AT - Maxima XWIDE CNG
AT1 - Maxima XWIDE LPG
AN - Maxima C CNG

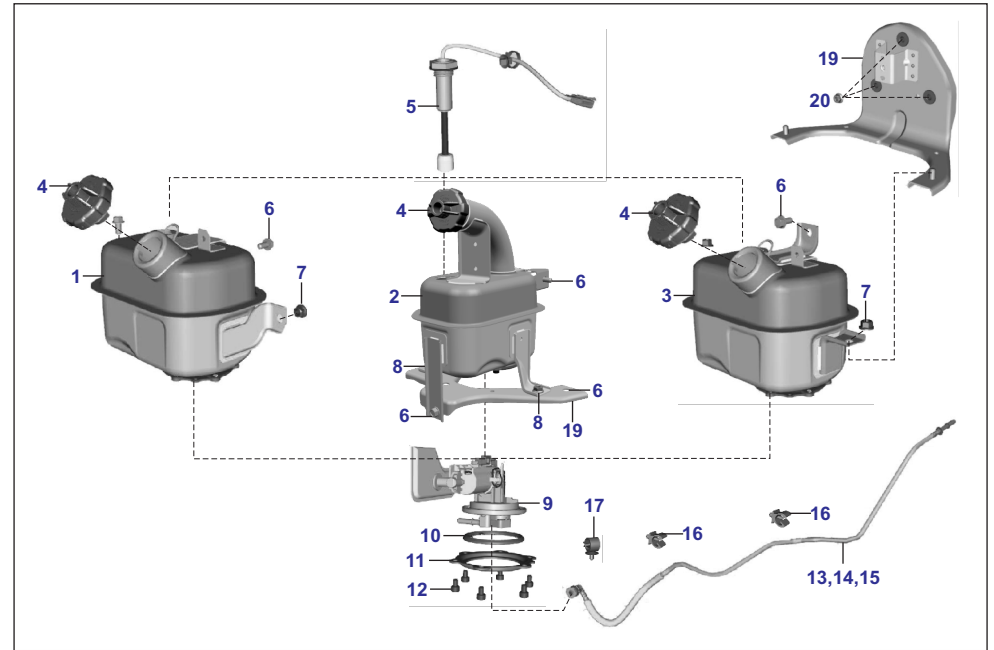


No.	Part No.	Description	RE			Z		XWIDE		C	Remarks
			AU	AF	AM	AZ	RA	AT	AT1	AN	
1	AF141126	Tank Assembly Fuel- Bi Fuel	-	1	1	-	-	-	-	-	
2	AZ171016	Tank Assembly Fuel- Bi Fuel	-	-	-	1	1	-	-	-	
3	AT171021	Tank Assembly Fuel- Bi Fuel	-	-	-	-	-	1	1	1	
4	AA141115	Assly Fuel Cap With Handlel	-	1	1	1	1	-	-	-	
4a	AN141089	Assembly Fuel Cap Lockable	-	-	-	-	-	1	1	1	
5	AF201360	Sensor Level Fuel	-	1	1	1	1	1	1	1	
6	KADD0816	Bolt Flangedl- Bi Fuel	-	2	2	2	2	2	2	2	
7	39238315	Hex Nut Flange-M8L- Bi Fuel	-	1	1	1	1	1	1	1	
8	KCGA0808	Nut Hex Flangedl- Bi Fuel	-	2	2	2	2	2	2	2	
9	AA201375	Pump Fuel- Bi Fuel	-	1	1	1	1	1	1	1	
10	JH171803	Gasket Fuel Pump Mtgl- Bi Fuel	-	1	1	1	1	1	1	1	
11	JH171804	Plate Pressure- Bi Fuel	-	1	1	1	1	1	1	1	
12	KACF0610	Bolt Socket M6X1	-	6	6	6	6	6	6	6	
13	AF141272	Pipe Assembly Tank-Jointl	-	1	1	-	-	-	-	-	
14	AZ171018	Pipe Filler Tank Fuel	-	-	-	1	1	-	-	-	
15	AT171806	Pipe-Connector Quick	-	-	-	-	-	1	1	-	

AU - RE PET
AF - RE CNG
AM - RE LPG

AZ - Maxima Z CNG
RA - Maxima ZLPG

AT - Maxima XWIDE CNG
AT1 - Maxima XWIDE LPG
AN - Maxima C CNG



No.	Part No.	Description	RE			Z		XWIDE		C	Remarks
			AU	AF	AM	AZ	RA	AT	AT1	AN	
15	AN141240	Pipe Fuel-Connector Quick	-	-	-	-	-	-	-	1	
16	JY113844	Clamp Brake Hoesel- Bi Fuel	-	2	2	2	2	2	2	2	
17	AL151187	Clampl- Bi Fuel	-	1	1	1	1	1	1	1	
18	YAU02001	Strainer Fuel Pump- Bi Fuel	-	1	1	1	1	1	1	1	
19	AZ171028	Bracket Tank Fuel	-	-	-	1	1	-	-	-	
19	AT111289	Bracket Assembly Tank Fuel	-	-	-	-	-	1	1	-	
20	KCGD0606	Nut Hex	-	3	3	3	3	3	3	3	

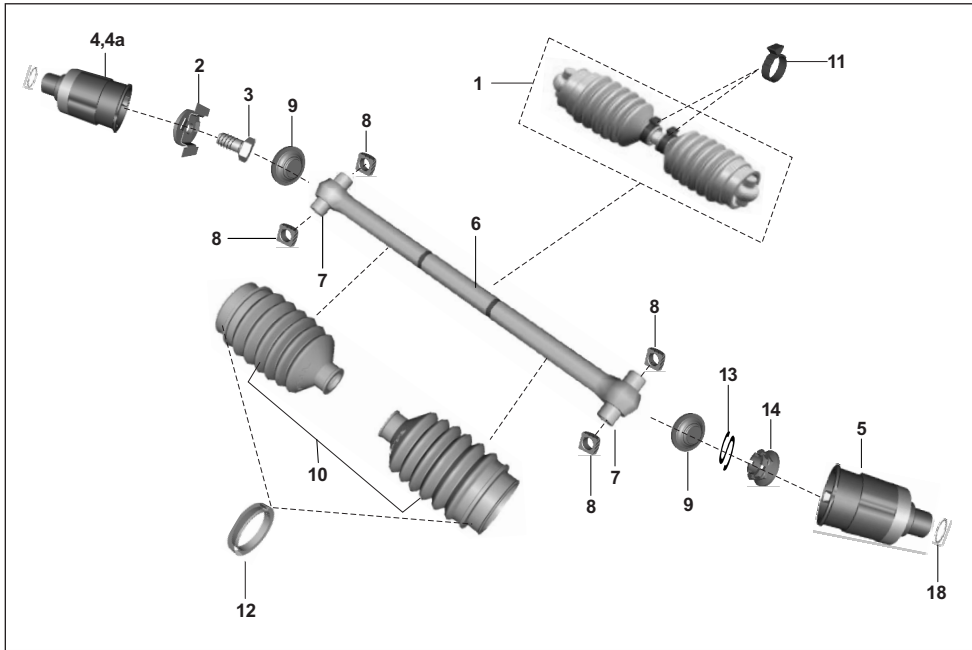
AU - RE PET
AF - RE CNG
AM - RE LPG

AZ - Maxima Z CNG
RA - Maxima ZLPG

AT - Maxima XWIDE CNG
AT1 - Maxima XWIDE LPG
AN - Maxima C CNG

PLATE NO. 30: PROPELLER SHAFT / FLANGES

ALTERNATE FUEL
MF & BF OBD2B



No.	Part No.	Description	RE			Z			XWIDE		C	Remarks
			AU	AF	AM	AZ	RA	AT	AT1	AN		
1	24102002	Assembly Propeller Shaft COMP	2	2	2	-	-	-	-	-		
2	24171014	Lock washer assembly	2	2	2	-	-	-	-	-		
3	39011904	Bolt	2	2	2	-	-	-	-	-		
4	AA101722	Flange assly (diff. gear side)	1	1	1	-	-	-	-	-		
4a	AA101721	Flange assly(Satellite gear)	1	1	1	-	-	-	-	-		
5	AY141202	Flange (wheel side) with nipple	2	2	2	-	-	-	-	-		
6	24102003	Shaft propeller with pins	2	2	2	-	-	-	-	-		
7	BA133057	Pin for propeller shaft	2	2	2	-	-	-	-	-		NS - alt 15
8	BA133064	Slider block	8	8	8	-	-	-	-	-		NS - alt 15
9	BA133062	Rubber buffer	4	4	4	-	-	-	-	-		
10	BA133058	Rubber bellow - wheel side	4	4	4	-	-	-	-	-		
11	BA133060	Clamp Ear Small	4	4	4	-	-	-	-	-		
12	BA133061	Clamp Low Profile Big	4	4	4	-	-	-	-	-		
13	24171066	Spring clip	2	2	2	-	-	-	-	-		
14	39118215	Nut	2	2	2	-	-	-	-	-		
15	36BA4043	Kit slider block with pin	4	4	4	-	-	-	-	-		
16	36BA4035	Kit Buffer rubber(dura block)	4	4	4	-	-	-	-	-		
17	36BA4036	Kit Grease	4	4	4	-	-	-	-	-		
18	LJA00023	Ring O	2	2	2	-	-	-	-	-		

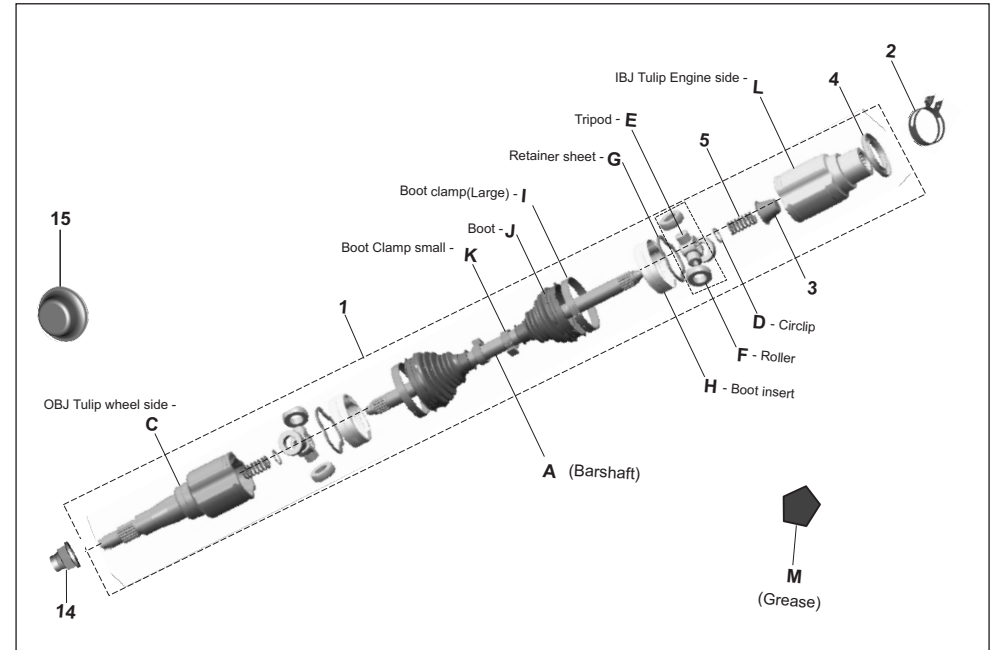
AU - RE PET
AF - RE CNG
AM - RE LPG

AZ - Maxima Z CNG
RA - Maxima ZLPG

AT - Maxima XWIDE CNG
AT1 - Maxima XWIDE LPG
AN - Maxima C CNG

PLATE NO. 31: CV SHAFT

ALTERNATE FUEL
MF & BF OBD2B

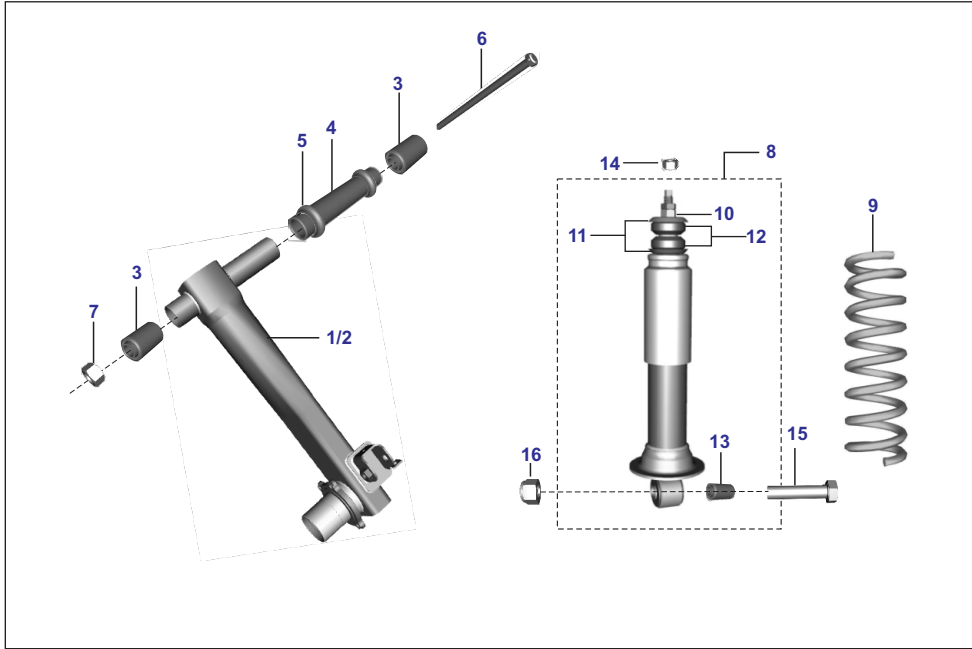


No.	Part No.	Description	RE			Z			XWIDE		C	Remarks
			AU	AF	AM	AZ	RA	AT	AT1	AN		
1	AZ141221	Shaft Assembly Drive	-	-	-	2	2	-	-	-		
1	AN101407	Shaft Assembly Drive	-	-	-	-	-	2	2	2		
2	BH551800	Clip lock drive shaft	-	-	-	2	2	2	2	2		
3	BH551420	Plug	-	-	-	1	1	1	1	1		
4	BH551421	Dustshield	-	-	-	1	1	1	1	1		
5	BH551409	Spring	-	-	-	2	2	2	2	2		
6	36BH0036	Kit boot- all ktek	-	-	-	4	4	4	4	4		J,I,K,M Kit-25
7	36BH0037	Kit Boot & Retainer ktek	-	-	-	4	4	4	4	4		J,I,K,M,G,H Kit-26
8	36BH0008	kit OBJ max	-	-	-	2	2	2	2	2		C,I,K,M Kit-27
9	36BH0010	Kit OBJ & tripod max	-	-	-	2	2	2	2	2		C,I,K,M,E,F,D Kit-28
10	36BH0030	Kit IBJ	-	-	-	2	2	2	2	2		L,I,K,M Kit-29
11	36BH0031	Kit IBJ & Tripod	-	-	-	2	2	2	2	2		L,I,K,M,E,F,D(new)
12	36AZ0023	Kit barshaft AZ141221(36BH0016)	-	-	-	2	2	-	-	-		NI
12	36AN0028	Kit barshaft AN101419-MA	-	-	-	-	-	2	2	2		NI
13	36BH0019	Kit roller	-	-	-	-	-	2	2	2		NI
14	BF131707	Nut axle M16	-	-	-	2	2	2	2	2		
15	BH131206	Cap hub rear fl	-	-	-	1	1	1	1	1		
16	36AZ0098	Set Tripoid Roller-circlip ETPL	-	-	-	1	1	-	-	-		NI

AU - RE PET
AF - RE CNG
AM - RE LPG

AZ - Maxima Z CNG
RA - Maxima ZLPG

AT - Maxima XWIDE CNG
AT1 - Maxima XWIDE LPG
AN - Maxima C CNG

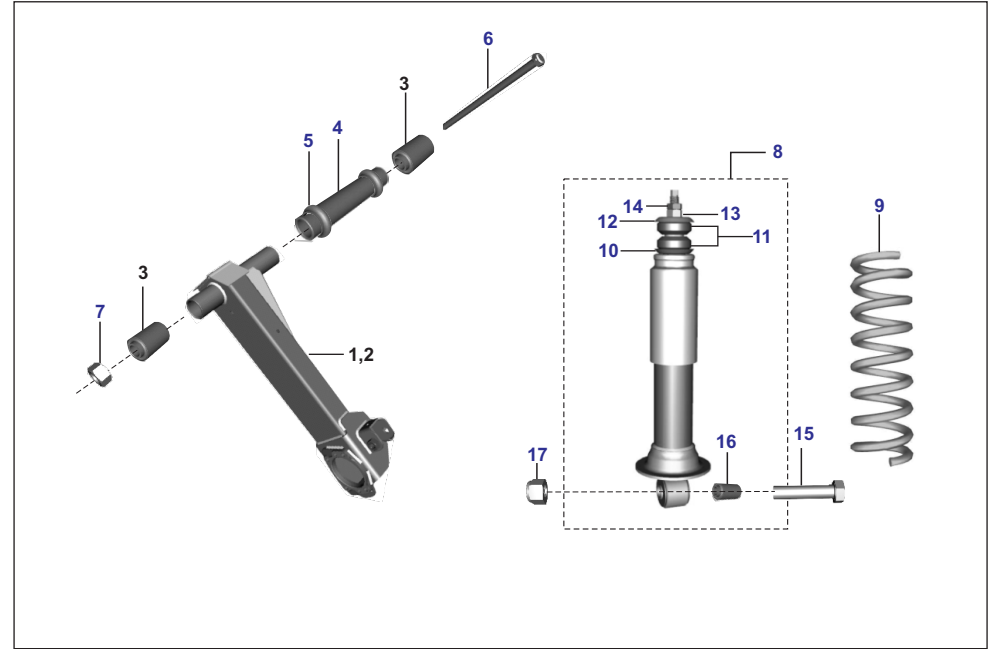


No.	Part No.	Description	RE			Z		XWIDE		C	Remarks
			AU	AF	AM	AZ	RA	AT	AT1	AN	
1	AF170049	Assly Arm Trailing LH(UHB)	1	1	1	-	-	-	-	-	
2	AF170050	Assly Arm Trailing RH(UHB)	1	1	1	-	-	-	-	-	
3	AA171006	Bush-silent for trailing arm	2	2	2	-	-	-	-	-	
4	AA171022	Distance piece assly	2	2	2	-	-	-	-	-	
5	BH122028	Spacer ring ta igus	4	4	4	-	-	-	-	-	
6	AA171011	Pivot pin trailing arm	2	2	2	-	-	-	-	-	
7	KCHA1417	Nut -nyloc :- M14 X 1.5	2	2	2	-	-	-	-	-	
8	24171094	Shockabsorber Rear	2	2	2	-	-	-	-	-	
9	24170508	Spring Rear Suspension	2	2	2	-	-	-	-	-	
10	39133615	Nut Hex	4	4	4	-	-	-	-	-	
11	24170505	Washer Cup- Top Side	4	4	4	-	-	-	-	-	
12	24171055	Bush Rubber-sh.absorber Rear	2	2	2	-	-	-	-	-	
13	24171197	Bush Bonded	2	2	2	-	-	-	-	-	
14	LCB00005	Nut Hex A/F 17 M10X1.25X6H	2	2	2	-	-	-	-	-	
15	24170507	Bolt for shock absorber	2	2	2	-	-	-	-	-	
16	39260715	Nut	2	2	2	-	-	-	-	-	

AU - RE PET
AF - RE CNG
AM - RE LPG

AZ - Maxima Z CNG
RA - Maxima ZLPG

AT - Maxima XWIDE CNG
AT1 - Maxima XWIDE LPG
AN - Maxima C CNG

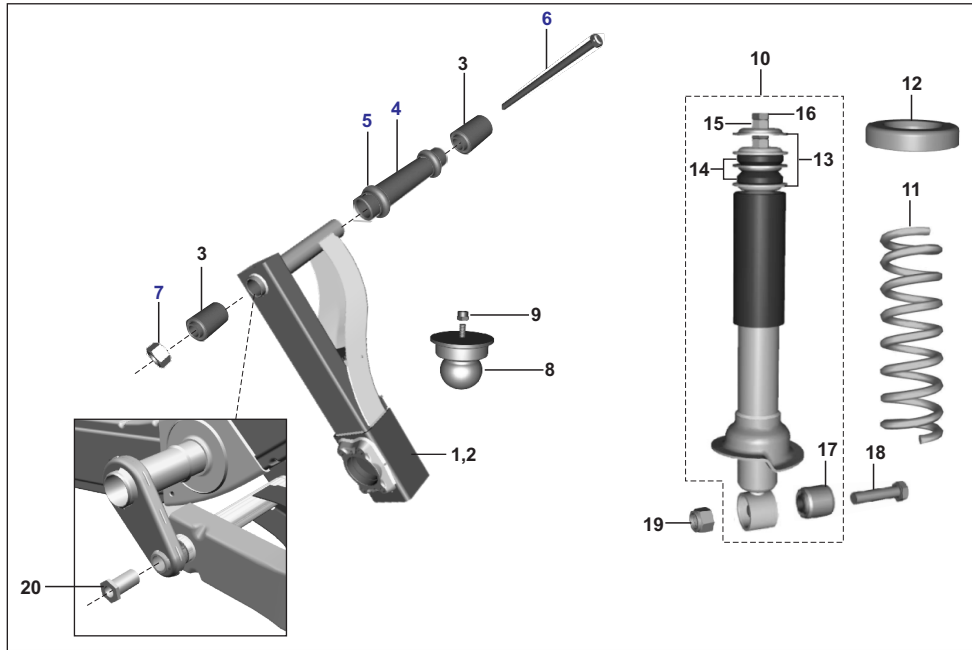


No.	Part No.	Description	RE			Z		XWIDE		C	Remarks
			AU	AF	AM	AZ	RA	AT	AT1	AN	
1	AZ122032	Assembly Arm Trailing LH	-	-	-	1	1	-	-	-	
2	AZ122033	Assembly Arm Trailing RH	-	-	-	1	1	-	-	-	
3	AZ122005	Bush Silent TA UG	-	-	-	4	4	-	-	-	
4	AZ122007	Assembly Dist Piece TA Tube UG	-	-	-	2	2	-	-	-	
5	BH122028	Spacer ring ta igus	-	-	-	4	4	-	-	-	
6	AZ122016	Bolt Flanged	-	-	-	2	2	-	-	-	
7	KCHA1417	Nut -nyloc :- M14 X 1.5	-	-	-	2	2	-	-	-	
8	AZ122008	Shockabsorber Rear Susp UG	-	-	-	2	2	-	-	-	
9	AZ122009	Spring Rear Susp UG	-	-	-	2	2	-	-	-	
10	BA171008	Washer cup	-	-	-	2	2	-	-	-	
11	BA171007	Bush shockabsorber	-	-	-	4	4	-	-	-	
12	BF122056	Rebound washer	-	-	-	1	1	-	-	-	
13	KCAD1008	Nut Hex Thick	-	-	-	2	2	-	-	-	
14	KCBD1006	Nut hex thin-m10x1.25xht.6xbrt	-	-	-	2	2	-	-	-	
15	24170507	Bolt For Shock Absorber	-	-	-	2	2	-	-	-	
16	BB171036	Bush rr shocker pre compressed	-	-	-	2	2	-	-	-	
17	39260715	Nut - nyloc-M12 X 1.5	-	-	-	2	2	-	-	-	

AU - RE PET
AF - RE CNG
AM - RE LPG

AZ - Maxima Z CNG
RA - Maxima ZLPG

AT - Maxima XWIDE CNG
AT1 - Maxima XWIDE LPG
AN - Maxima C CNG

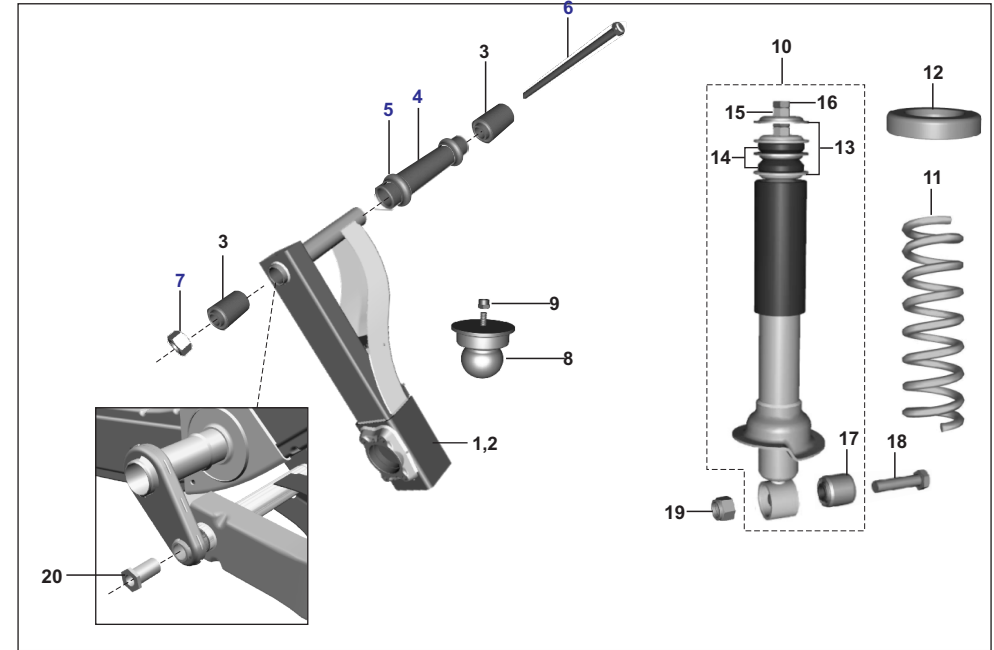


No.	Part No.	Description	RE			Z		XWIDE		C	Remarks
			AU	AF	AM	AZ	RA	AT	AT1	AN	
1	BB171052	Assembly Arm Trailing RH	-	-	-	-	-	1	1	1	
2	BB171051	Assembly Arm Trailing LH	-	-	-	-	-	1	1	1	
3	AZ122005	Bush Silent Ta Ug	-	-	-	-	-	4	4	4	
4	BB171055	Piece Assembly Distance-Ta	-	-	-	-	-	2	2	2	
5	BH122028	Spacer Ring Ta Igus	-	-	-	-	-	4	4	4	
6	AL171158	Bolt Flanged	-	-	-	-	-	2	2	2	
7	KCHA1417	Nut -Nyloc	-	-	-	-	-	2	2	2	
8	AL171017	Stopper Bump	-	-	-	-	-	2	2	2	
9	39069015	Nut - Nyloc - M8	-	-	-	-	-	2	2	2	
10	AL171138	Assembly Rear Shockabsorber	-	-	-	-	-	2	2	-	
10	AL171172	Shockabsorber Rear	-	-	-	-	-	-	-	2	
10	BB171040	Shockabsorber Rear-LI	-	-	-	-	-	2	2	-	
11	BB171038	Spring Rear Suspension	-	-	-	-	-	2	2	-	
11	AN170004	Spring Suspension Rear	-	-	-	-	-	-	-	2	
11	BB171041	Spring Rear Suspension LI	-	-	-	-	-	2	2	-	
12	AL171150	Rubber Seat Spring Rear	-	-	-	-	-	2	2	2	
13	BF122056	Rebound Washer	-	-	-	-	-	2	2	2	
14	BA171007	Bush Shockabsorber	-	-	-	-	-	4	4	4	
15	KCAD1008	Nut Hex Thick	-	-	-	-	-	2	2	2	

AU - RE PET
AF - RE CNG
AM - RE LPG

AZ - Maxima Z CNG
RA - Maxima ZLPG

AT - Maxima XWIDE CNG
AT1 - Maxima XWIDE LPG
AN - Maxima C CNG

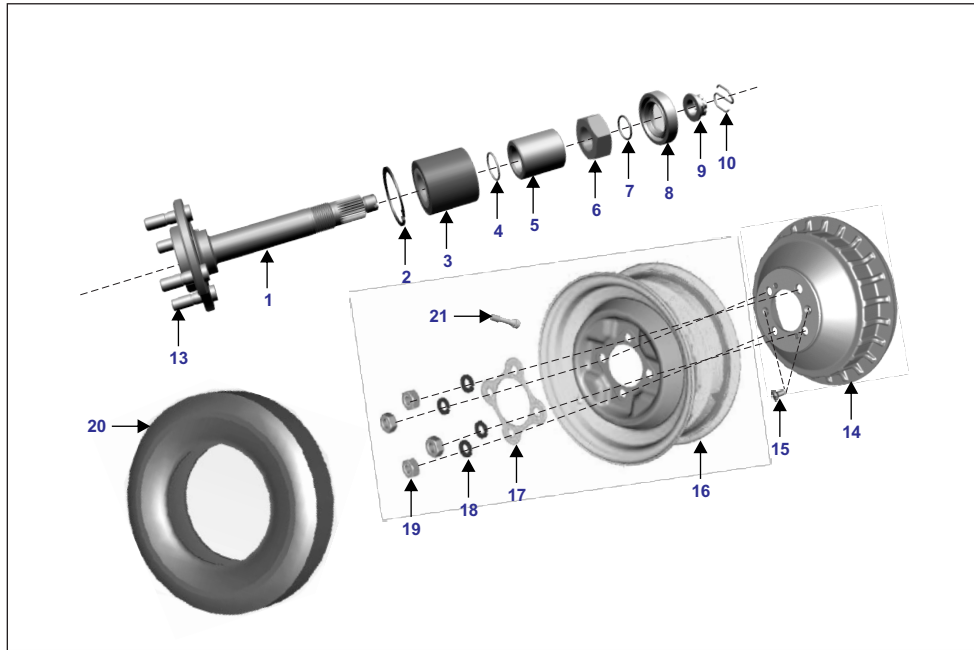


No.	Part No.	Description	RE			Z		XWIDE		C	Remarks
			AU	AF	AM	AZ	RA	AT	AT1	AN	
16	KCBD1006	Nut Hex Thin	-	-	-	-	-	2	2	2	
17	BB171036	Bush Rr Shocker Pre Compres	-	-	-	-	-	2	2	2	
18	24170507	Bolt For Shock Absorber	-	-	-	-	-	2	2	2	
19	39260715	Nut - Nyloc	-	-	-	-	-	2	2	2	
20	LAA00060	Bolt	-	-	-	-	-	2	2	2	

AU - RE PET
AF - RE CNG
AM - RE LPG

AZ - Maxima Z CNG
RA - Maxima ZLPG

AT - Maxima XWIDE CNG
AT1 - Maxima XWIDE LPG
AN - Maxima C CNG

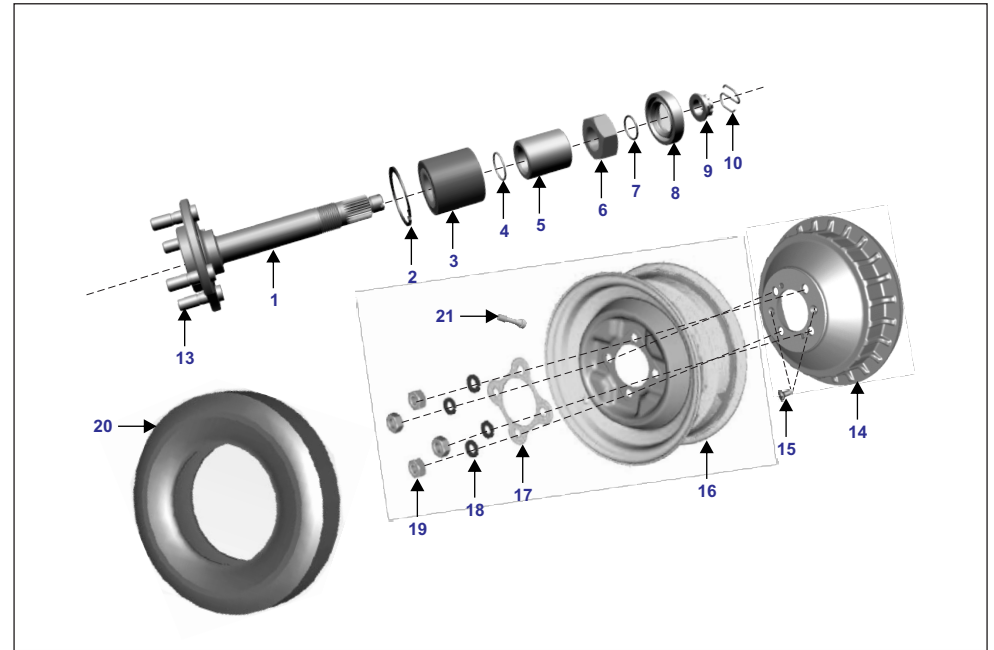


No.	Part No.	Description	RE		Z		XWIDE		C	Remarks
			AU	AF	AM	AZ	RA	AT	AT1	
1	AH131214	Axle Assembly Rear	2	2	2	-	-	-	-	
2	KEBB4717	Circlip Internal	2	2	2	-	-	-	-	
3	AH131624	Bearing Ball	2	2	2	-	-	-	-	
4	15101041	O-Ring	2	2	2	-	-	-	-	
5	AH131163	Spacer	2	2	2	-	-	-	-	
6	LCB00012	Nut Hex Thin M22X1.5	2	2	2	-	-	-	-	
7	LJA00008	Ring O - Id 19Xsect. Dia. 2	2	2	2	-	-	-	-	
8	24171024	Seal - Oil 48 Dia.	2	2	2	-	-	-	-	
9	39118215	Nut	2	2	2	-	-	-	-	
10	24171066	Clip - Spring	2	2	2	-	-	-	-	
11	52BA0975	Trailing Arm Assly UHB - LH	1	1	1	-	-	-	-	NI
12	52BA0976	Trailing Arm Assly UHB - RH	1	1	1	-	-	-	-	NI
13	22170434	Bolt For Axle	8	8	8	-	-	-	-	
14	22151106	Brake Drum Rear	2	2	2	-	-	-	-	
15	KBCA0410	Slot Csk Hd Screw	2	2	2	-	-	-	-	
16	AF151089	Wheel Rim 3.00Bx8H2	4	4	4	-	-	-	-	

AU - RE PET
AF - RE CNG
AM - RE LPG

AZ - Maxima Z CNG
RA - Maxima ZLPG

AT - Maxima XWIDE CNG
AT1 - Maxima XWIDE LPG
AN - Maxima C CNG



No.	Part No.	Description	RE		Z		XWIDE		C	Remarks
			AU	AF	AM	AZ	RA	AT	AT1	
17	24151297	Washer	3	3	3	-	-	-	-	
18	KDDB1018	Washer Spring	12	12	12	-	-	-	-	
19	LCA00010	Nut Hex.	12	12	12	-	-	-	-	
20	AF151091	Tyre 4.00-8	4	4	4	-	-	-	-	
21	BF131417	Valve Tyre Tubeless	1	1	1	-	-	-	-	NS

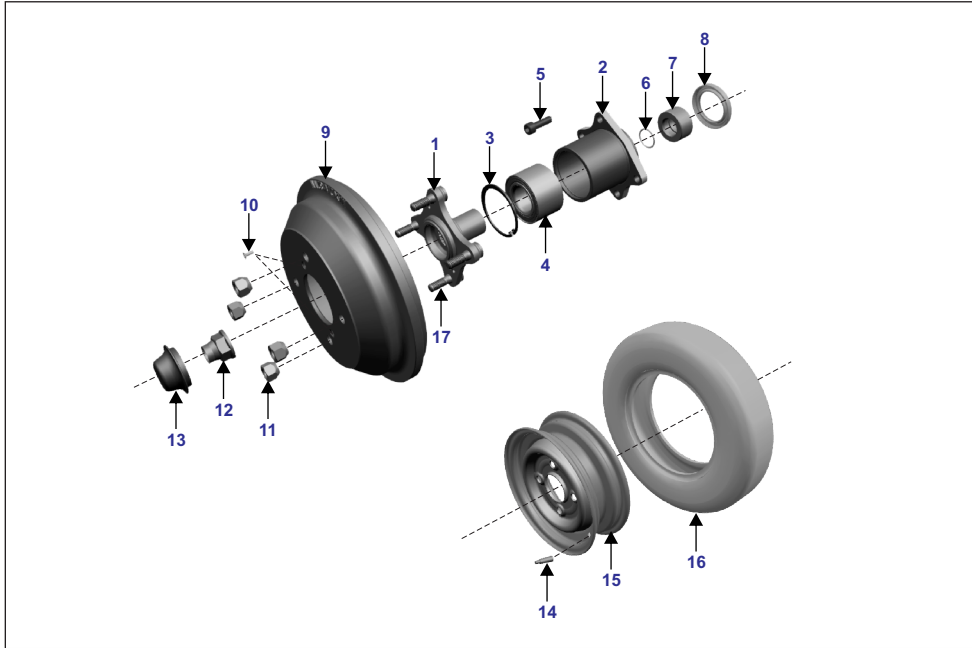
AU - RE PET
AF - RE CNG
AM - RE LPG

AZ - Maxima Z CNG
RA - Maxima ZLPG

AT - Maxima XWIDE CNG
AT1 - Maxima XWIDE LPG
AN - Maxima C CNG

PLATE NO. 36: REAR WHEEL AXLE - Z

ALTERNATE FUEL
MF & BF OBD2B



No.	Part No.	Description	RE		Z		XWIDE		C	Remarks	
			AU	AF	AM	AZ	RA	AT	AT1		AN
1	AZ131618	Flange Assembly Drive	-	-	-	2	2	-	-	-	
2	AH131680	Hub Rear	-	-	-	2	2	-	-	-	
3	KEBB6020	Circlip-Internal	-	-	-	2	2	-	-	-	
4	BF131761	Ball Bearing Dbl Row	-	-	-	2	2	-	-	-	
5	LAC00035	Bolt-Socket	-	-	-	8	8	-	-	-	
6	KJAA2224	Ring O	-	-	-	2	2	-	-	-	
7	AH131683	Spacer	-	-	-	2	2	-	-	-	
8	AH131204	Seal	-	-	-	2	2	-	-	-	
9	AZ131621	Drum Brake	-	-	-	2	2	-	-	-	
10	LBS00003	Screw Csk Socket	-	-	-	4	4	-	-	-	
11	BF131486	Nut Conical M 10	-	-	-	12	12	-	-	-	
12	BF131707	Nut Axle M16	-	-	-	2	2	-	-	-	
13	BH131206	Cap Hub Rear FI	-	-	-	2	2	-	-	-	
14	BF131417	Valve Tyre Tubeless	-	-	-	2	2	-	-	-	NS
15	AZ131015	Wheel Rim 3.00Bx10H2	-	-	-	2	2	-	-	-	
16	BH131029	Tyre 4.00-10 Tubeless	-	-	-	4	4	-	-	-	NS
17	BF131710	Bolt-M10X1.25	-	-	-	8	8	-	-	-	

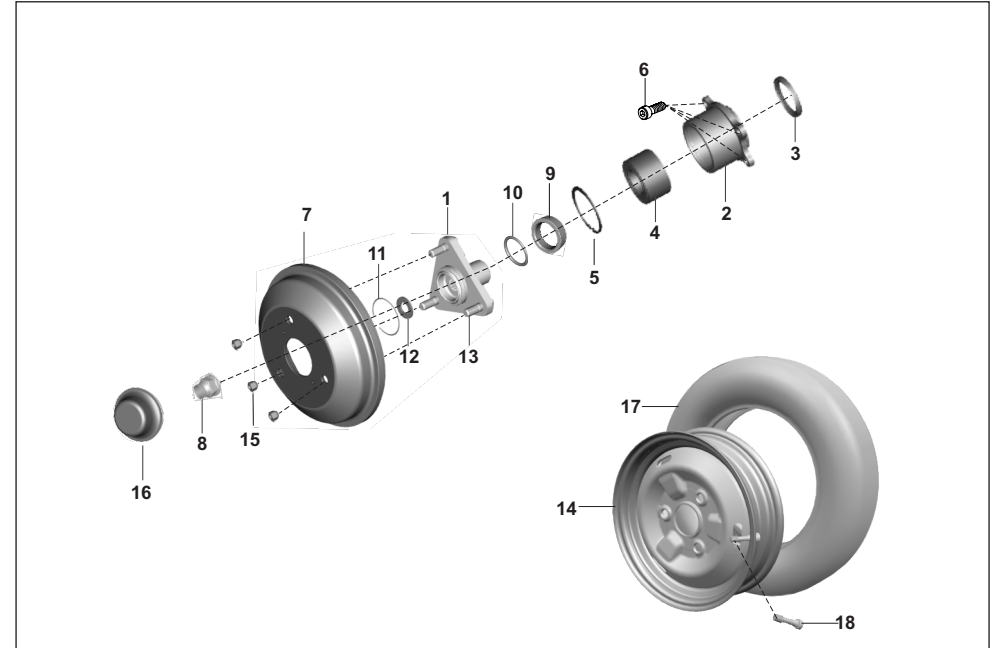
AU - RE PET
AF - RE CNG
AM - RE LPG

AZ - Maxima Z CNG
RA - Maxima Z LPG

AT - Maxima XWIDE CNG
AT1 - Maxima XWIDE LPG
AN - Maxima C CNG

PLATE NO. 37: REAR WHEEL AXLE - XWIDE & C

ALTERNATE FUEL
MF & BF OBD2B

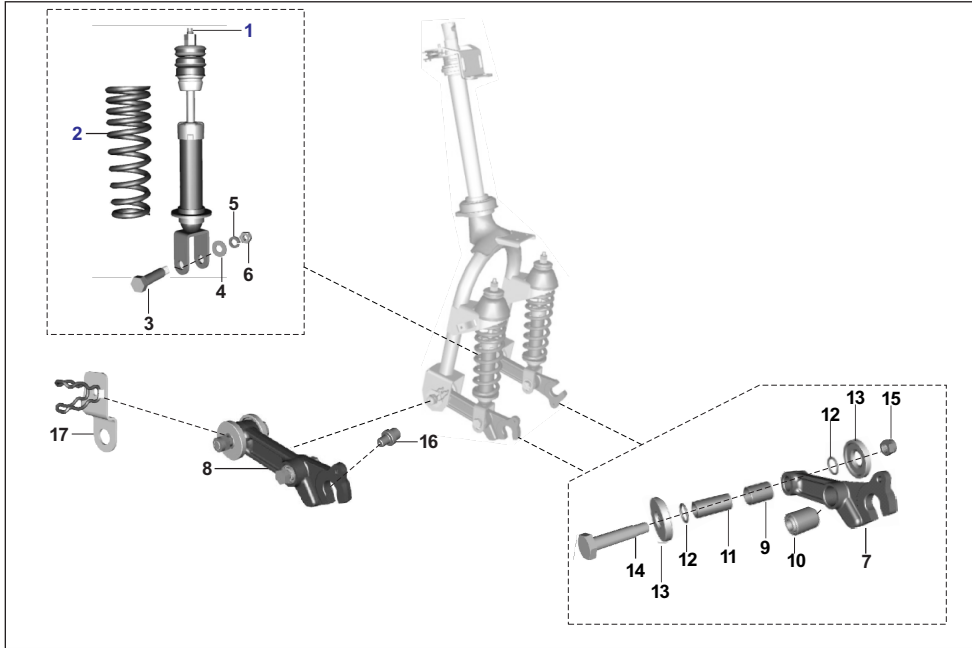


No.	Part No.	Description	RE		Z		XWIDE		C	Remarks	
			AU	AF	AM	AZ	RA	AT	AT1		AN
1	AL151249	Assly drive flange	-	-	-	-	-	2	2	2	
2	BB151030	Rear hub	-	-	-	-	-	2	2	2	
3	BB151034	Seal	-	-	-	-	-	2	2	2	
4	BB151031	Bearing 30X55X13-rear hub	-	-	-	-	-	2	2	2	
5	KEBB6825	Circlip	-	-	-	-	-	2	2	2	
6	LAC00131	Bolt Socket	-	-	-	-	-	8	8	8	
7	AL151242	Drum brake rear	-	-	-	-	-	2	2	2	
8	BF131707	Nut axle M16	-	-	-	-	-	2	2	2	
9	BB133066	Sleeve drive shaft	-	-	-	-	-	2	2	2	
10	KJAA3035	O ring	-	-	-	-	-	2	2	2	
11	AL151254	Circlip for AL151151	-	-	-	-	-	2	2	2	
12	KDBA1632	Washer plain	-	-	-	-	-	2	2	2	
13	AL171066	Bolt for axle	-	-	-	-	-	6	6	6	
14	AT131010	Wheel Rim 3.00BX12H2	-	-	-	-	-	4	4	4	
15	AL151252	Nut conical m12 wheel nut	-	-	-	-	-	9	9	9	
16	BH131206	Cap hub rear	-	-	-	-	-	2	2	2	
17	AH131148	Tyre Tubeless 130/80-R12 C LT	-	-	-	-	-	4	4	4	NS
18	AL151307	Valve Wheel	-	-	-	-	-	1	1	1	NS

AU - RE PET
AF - RE CNG
AM - RE LPG

AZ - Maxima Z CNG
RA - Maxima Z LPG

AT - Maxima XWIDE CNG
AT1 - Maxima XWIDE LPG
AN - Maxima C CNG

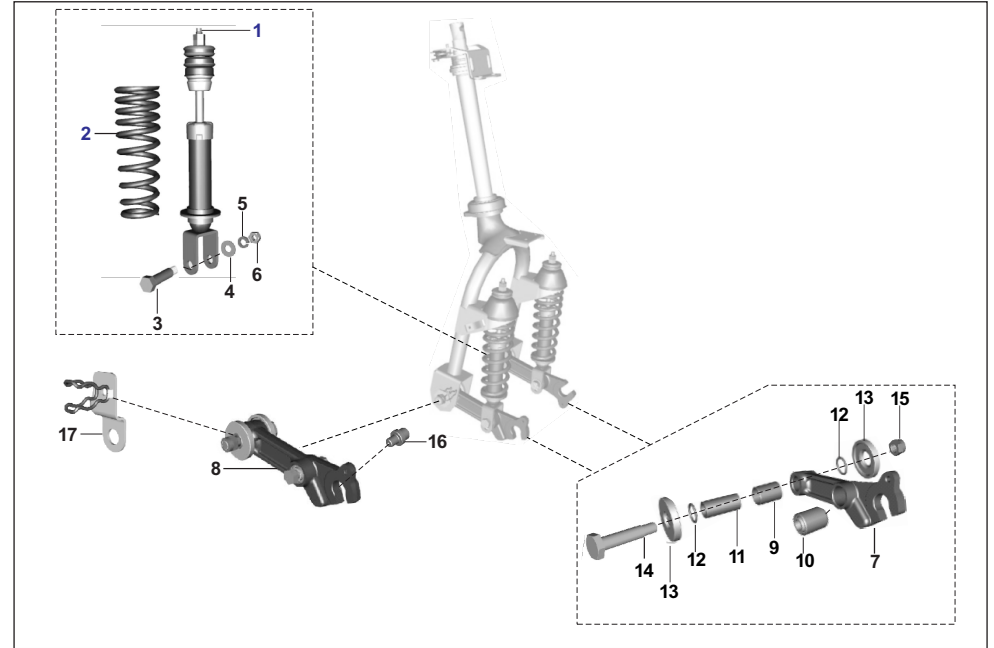


No.	Part No.	Description	RE			Z		XWIDE		C	Remarks
			AU	AF	AM	AZ	RA	AT	AT1	AN	
1	BH121004	Assembly Front Damper FL	-	-	-	2	2	-	-	-	
1	BK121002	Shockabsorber Front	-	-	-	-	-	2	2	2	
1	AL171151	Shockabsorber Front-LL	-	-	-	-	-	2	2	-	
2	BH121005	Spring Front Suspension FL	-	-	-	2	2	-	-	-	
2	BK121003	Spring Shockabsorber Front	-	-	-	-	-	2	2	2	
2	BB171032	Spring Suspension Front-LL	-	-	-	-	-	2	2	-	
3	39251604	Bolt - Shoulder - M10	-	-	-	2	2	2	2	2	
4	KDBA1022	Washer Plain	-	-	-	2	2	2	2	2	
5	KDDB1018	Washer Spring Thin	-	-	-	2	2	2	2	2	
6	LCA00010	Nut Hex Thik	-	-	-	2	2	2	2	2	
7	AL171091	Link Assembly LH	-	-	-	1	1	-	-	-	
7	AT121003	Link Assembly LH	-	-	-	-	-	1	1	1	
8	AL171093	Link Assembly RH	-	-	-	1	1	-	-	-	
8	AT121004	Link Assembly RH	-	-	-	-	-	1	1	1	
9	AL171095	Bearing Sleeve	-	-	-	1	1	1	1	1	
10	AB171016	Bush Assly-front SH AB MTG	-	-	-	1	1	1	1	1	

AU - RE PET
AF - RE CNG
AM - RE LPG

AZ - Maxima Z CNG
RA - Maxima ZLPG

AT - Maxima XWIDE CNG
AT1 - Maxima XWIDE LPG
AN - Maxima C CNG

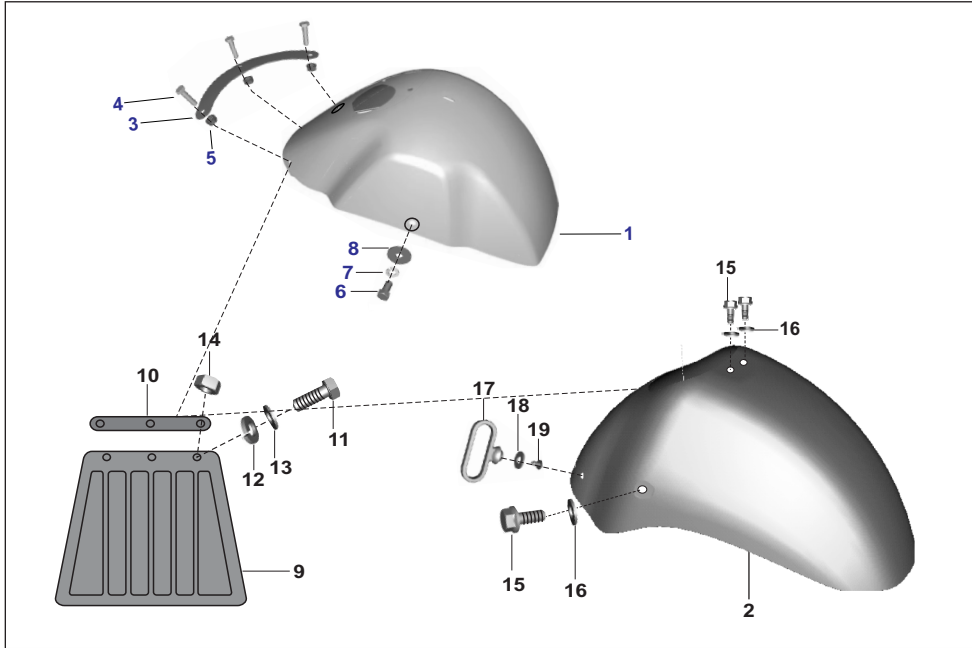


No.	Part No.	Description	RE			Z		XWIDE		C	Remarks
			AU	AF	AM	AZ	RA	AT	AT1	AN	
11	AL171081	Bush Link Pivot For Iigus Bush	-	-	-	2	2	2	2	2	
12	LJA00025	Ring O-ID 18.72 X SECT. DIA. 3	-	-	-	4	4	4	4	4	
13	AF170008	Cap Link Front	-	-	-	4	4	4	4	4	
14	AL171051	Bolt	-	-	-	2	2	2	2	2	
15	39093915	Nut Hex Nyloc	-	-	-	2	2	2	2	2	
16	AL171058	Locking Pin - Link RH	-	-	-	1	1	-	-	-	
16	AH121022	Pin	-	-	-	-	-	1	1	1	
17	BH151089	Bracket Assembly Hose Brake	-	-	-	1	1	1	1	1	

AU - RE PET
AF - RE CNG
AM - RE LPG

AZ - Maxima Z CNG
RA - Maxima ZLPG

AT - Maxima XWIDE CNG
AT1 - Maxima XWIDE LPG
AN - Maxima C CNG

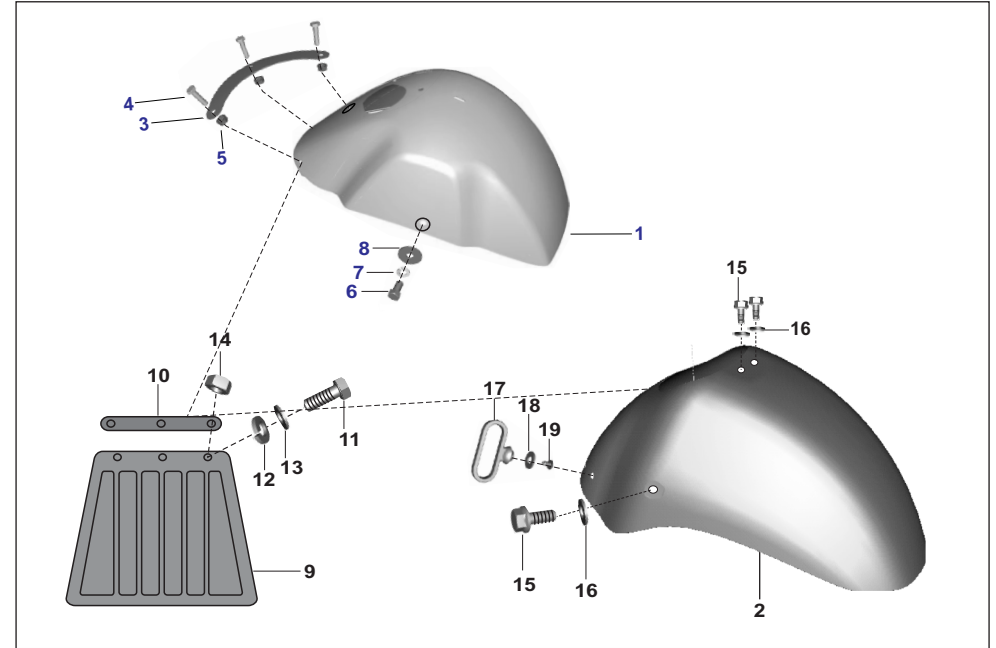


No.	Part No.	Description	RE			Z		XWIDE		C	Remarks
			AU	AF	AM	AZ	RA	AT	AT1	AN	
1	52244040	Mudguard Assembly Front	1	1	1	-	-	-	-	-	
2	52BB0075	Mudguard Assembly Front	-	-	-	1	1	1	1	1	
3	AB161182	Plate Check Fr Mud Mountin	1	1	1	-	-	-	-	-	
4	KAAG0625	Bolt	3	3	3	-	-	-	-	-	
5	KCGD0606	Nut Hex Flanged	3	3	3	3	3	3	3	3	
6	KAAF0820	Bolt M8X1.25	1	1	1	-	-	-	-	-	
7	KDDB0815	Washer Sp Thn	1	1	1	1	1	1	1	1	
8	KDBB0818	Plain Washer	1	1	1	-	-	-	-	-	
9	24230185	Mudflap	1	1	1	-	-	-	-	-	
9	BB221015	Mudflap Front	-	-	-	1	1	1	1	1	
10	24161176	Strip For Front Mudguard Flap	1	1	1	1	1	1	1	1	
11	KAAA0514	Bolt	2	2	2	3	3	3	3	3	
12	KDDB0509	Washer Sp Thn	2	2	2	3	3	3	3	3	
13	KDAA0611	Washer Plain Small	2	2	2	-	-	-	-	-	
13	KDBA0613	Washer_Plain	-	-	-	3	3	3	3	3	
14	KCAA0504	Nut Hex Thick	2	2	2	2	2	2	2	2	

AU - RE PET
AF - RE CNG
AM - RE LPG

AZ - Maxima Z CNG
RA - Maxima ZLPG

AT - Maxima XWIDE CNG
AT1 - Maxima XWIDE LPG
AN - Maxima C CNG



No.	Part No.	Description	RE			Z		XWIDE		C	Remarks
			AU	AF	AM	AZ	RA	AT	AT1	AN	
15	KADT0616	Bolt Flanged	-	-	-	-	-	4	4	4	
16	LDB00014	Washer Plain	-	-	-	4	4	4	4	4	
17	DS161125	Cable Guide	-	-	-	1	1	1	1	1	
18	BH131817	Spacer Guide Hose	-	-	-	1	1	1	1	1	
19	BF185019	Clip Plastic Rivet	-	-	-	1	1	1	1	1	

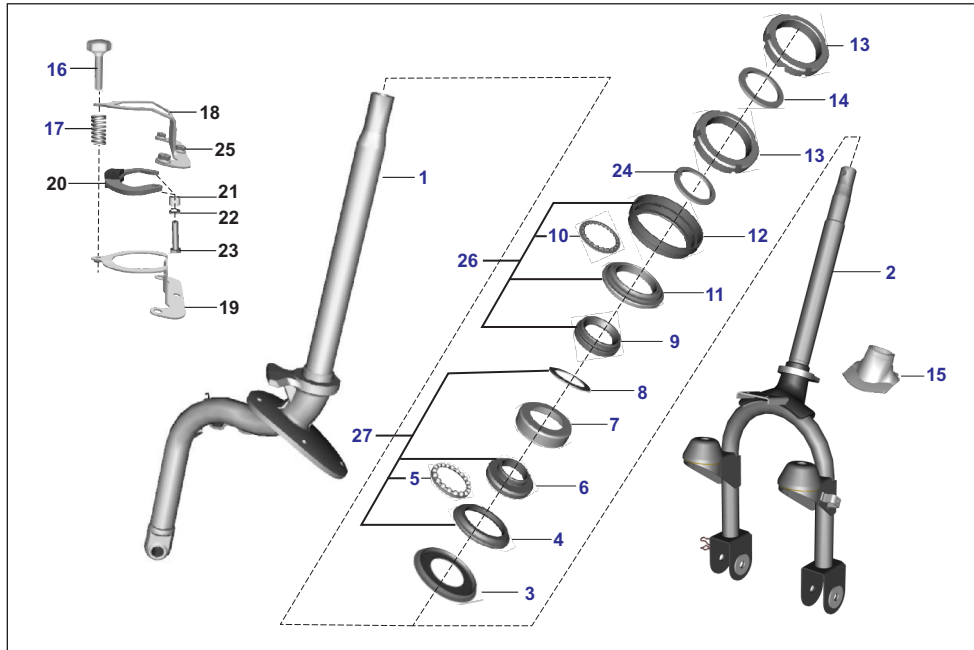
AU - RE PET
AF - RE CNG
AM - RE LPG

AZ - Maxima Z CNG
RA - Maxima ZLPG

AT - Maxima XWIDE CNG
AT1 - Maxima XWIDE LPG
AN - Maxima C CNG

PLATE NO. 40: STEERING COLUMN / FORK

ALTERNATE FUEL
MF & BF OBD2B



No.	Part No.	Description	RE			Z		XWIDE		C	Remarks
			AU	AF	AM	AZ	RA	AT	AT1	AN	
1	AA181039	Column Assembly Steering	1	1	1	-	-	-	-	-	
2	AZ151062	Fork Assembly	-	-	-	1	1	-	-	-	
2	AN181026	Fork Assembly	-	-	-	-	-	1	1	1	
3	AA181023	Cover Dust Lower	1	1	1	-	-	-	-	-	
3	BH151007	Dust cover bottom	-	-	-	1	1	-	-	-	
3	AL181006	Cover - Dust - Bottom	-	-	-	-	-	1	1	1	
4	BH151097	Race Inner Lower	1	1	1	1	1	-	-	-	
4	BB181040	Bearing race lower	-	-	-	-	-	1	1	1	
5	AB181012	Steel ball with cage lower	1	1	1	1	1	-	-	-	
5	BB181037	Ball With Cage-solid Oil	-	-	-	-	-	1	1	1	
6	BH151096	Race Outer Lower	1	1	1	1	1	-	-	-	
6	BB181039	Bearing race lower outer	-	-	-	-	-	1	1	1	
7	BH151008	Dust cover top	1	1	1	1	1	-	-	-	
7	AL181005	Cover - Dust - Top	-	-	-	-	-	1	1	1	
8	BH151009	Spacer fork front	1	1	1	1	1	-	-	-	
8	BB181010	Spacer Fork Front RE445L	-	-	-	-	-	1	1	1	
9	BH151095	Race Outer Upper	1	1	1	1	1	-	-	-	
9	BB181036	Race bearing upper-outer	-	-	-	-	-	1	1	1	
10	BH151093	Cage - Ball	1	1	1	1	1	-	-	-	
10	BB181035	Ball with cage-solid oil	-	-	-	-	-	1	1	1	
11	AA181059	Race Inner Upper	1	1	1	1	1	-	-	-	

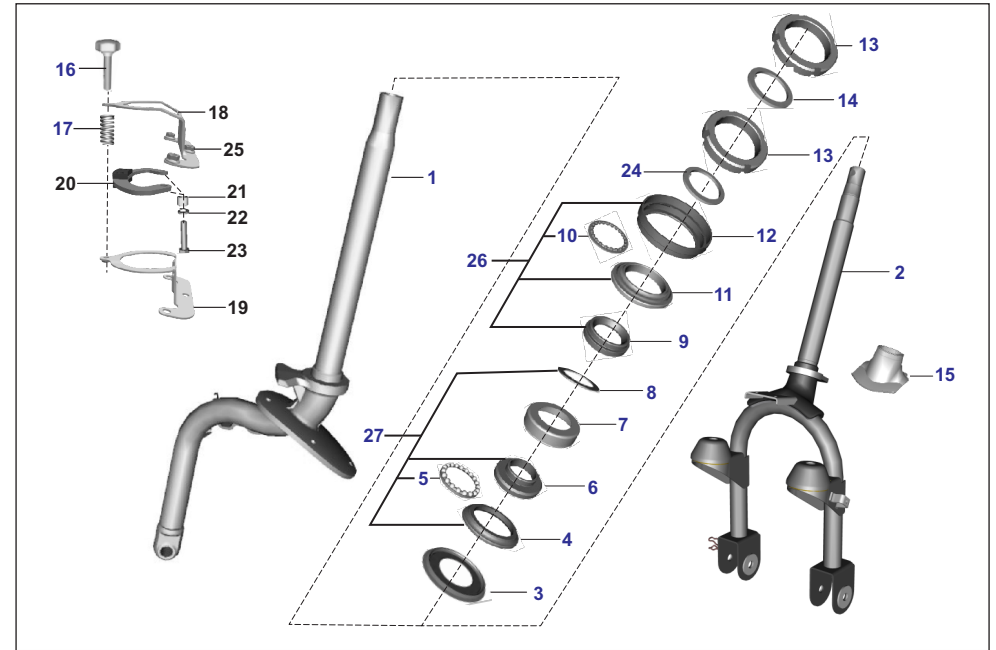
AU - RE PET
AF - RE CNG
AM - RE LPG

AZ - Maxima Z CNG
RA - Maxima ZLPG

AT - Maxima XWIDE CNG
AT1 - Maxima XWIDE LPG
AN - Maxima C CNG

PLATE NO. 40: STEERING COLUMN / FORK

ALTERNATE FUEL
MF & BF OBD2B

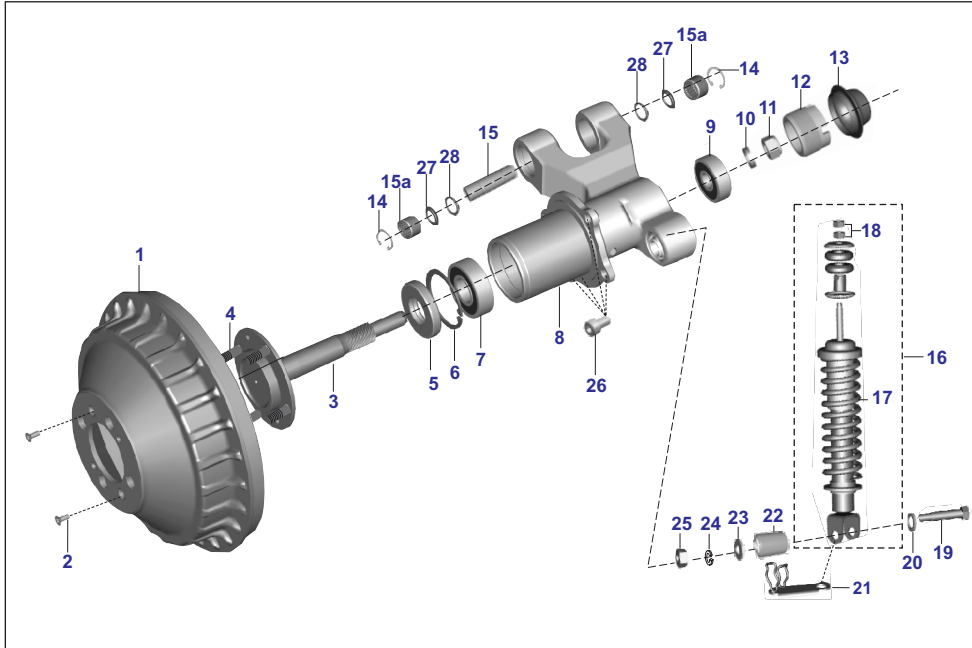


No.	Part No.	Description	RE			Z		XWIDE		C	Remarks
			AU	AF	AM	AZ	RA	AT	AT1	AN	
11	BB181034	Race Bearing Upper-inner	-	-	-	-	-	1	1	1	
12	AA181058	Cover Bearing Upper	1	1	1	1	1	-	-	-	
12	24161443	Dust cover	-	-	-	-	-	1	1	1	
13	24181047	Lock nut	2	2	2	2	2	2	2	2	
14	AB181020	Spacer washer bearing	1	1	1	1	1	1	1	1	
15	BH111056	Bellow	-	-	-	1	1	-	-	-	
15	BB161107	Bellow	-	-	-	-	-	1	1	1	
16	21180307	Knob	1	1	1	1	1	1	1	1	
17	21180308	Spring	1	1	1	1	1	1	1	1	
18	AT151014	Bracket Steering Upper	1	1	1	1	1	1	1	1	
19	AT151015	Bracket Steering Lower	1	1	1	1	1	1	1	1	
20	AT151018	Plate Assembly Lock Handlebar	1	1	1	1	1	1	1	1	
21	AT151017	Spacer	2	2	2	2	2	-	-	-	
21	BB151052	Spacer	-	-	-	-	-	2	2	2	
22	KDDA0509	Washer Sp Thn	2	2	2	2	2	2	2	2	
23	KAAD0525	Bolt M5X0.8	2	2	2	2	2	2	2	2	
24	LDH00012	Washer Conical	4	4	4	4	4	-	-	-	
25	KCGD0808	Nut Hex Flanged	3	3	3	3	3	3	3	3	
26	36AF0067	Bearing Race Kit Upper RE & Z	1	1	1	1	1	-	-	-	
26	36AT0012	Bearing Race Kit Upper XW & C	-	-	-	-	-	1	1	1	
27	36BH0053	Bearing Race Kit Lower RE & Z	1	1	1	1	1	-	-	-	
27	36AT0013	Bearing Race Kit Lower XW & C	-	-	-	-	-	-	1	1	

AU - RE PET
AF - RE CNG
AM - RE LPG

AZ - Maxima Z CNG
RA - Maxima ZLPG

AT - Maxima XWIDE CNG
AT1 - Maxima XWIDE LPG
AN - Maxima C CNG

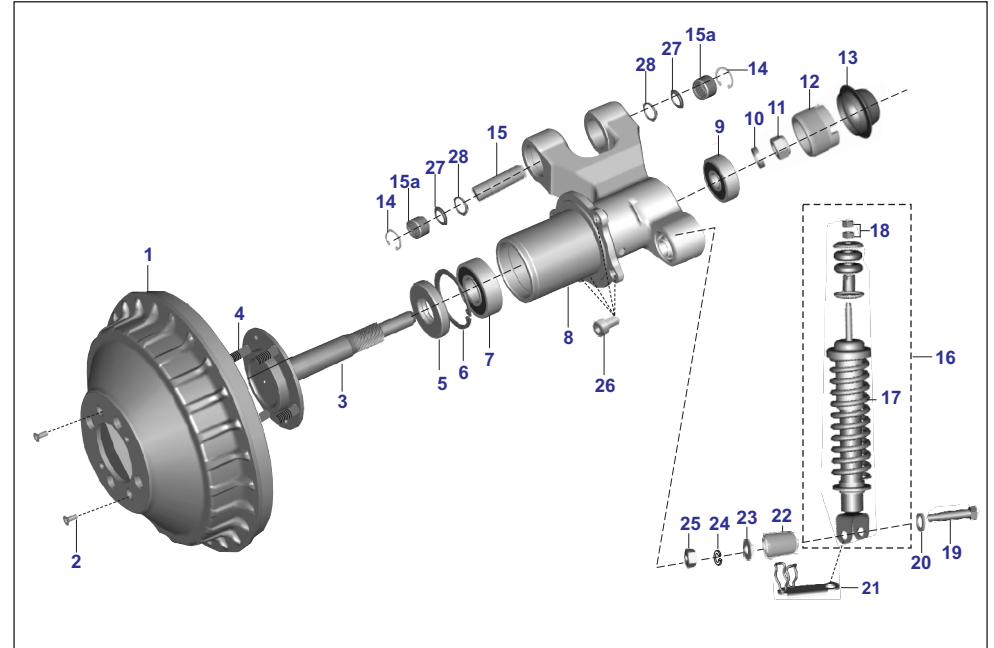


No.	Part No.	Description	RE			Z		XWIDE		C	Remarks
			AU	AF	AM	AZ	RA	AT	AT1	AN	
1	22151106	Drum Brake	1	1	1	-	-	-	-	-	
2	KBCA0410	Screw csk cross	2	2	2	-	-	-	-	-	
3	24151266	Assly axle front wheel	1	1	1	-	-	-	-	-	
4	3100718	Bolt for rear/fr wheel flange	4	4	4	-	-	-	-	-	
5	22170115	Seal - oil	1	1	1	-	-	-	-	-	
6	KEBB4717	Circlip 47x17	1	1	1	-	-	-	-	-	
7	KPBC6204	Bearing-Ball-C3 Clearance	1	1	1	-	-	-	-	-	
8	AA151084	Hub Front	1	1	1	-	-	-	-	-	
9	KPBC6301	Bearing Ball	1	1	1	-	-	-	-	-	
10	AA151049	Spacer	1	1	1	-	-	-	-	-	
11	59150003	U nut m12	1	1	1	-	-	-	-	-	
12	LCD00002	Nut-M39X1.5XHEIGHT 25	1	1	1	-	-	-	-	-	
13	BH131206	CAP HUB REAR FL	1	1	1	-	-	-	-	-	
14	39235717	Circlip - internal	2	2	2	-	-	-	-	-	
15	24171198	Pin Pivot	1	1	1	-	-	-	-	-	
15a	24171201	Bearing Needle	2	2	2	-	-	-	-	-	
16	AB171044	FR shock absorber assly	1	1	1	-	-	-	-	-	

AU - RE PET
AF - RE CNG
AM - RE LPG

AZ - Maxima Z CNG
RA - Maxima ZLPG

AT - Maxima XWIDE CNG
AT1 - Maxima XWIDE LPG
AN - Maxima C CNG



No.	Part No.	Description	RE			Z		XWIDE		C	Remarks
			AU	AF	AM	AZ	RA	AT	AT1	AN	
17	AB171017	Spring fr. Shock.	1	1	1	-	-	-	-	-	
18	39029515	Nut fr. Shock.	2	2	2	-	-	-	-	-	
19	AB171031	Bolt for sh abs mounting	1	1	1	-	-	-	-	-	
20	39054311	Plain washer	1	1	1	-	-	-	-	-	
21	24151247	Assly bracket guide hose	1	1	1	-	-	-	-	-	
22	AB171016	Bush assly-fr sh ab mtg	1	1	1	-	-	-	-	-	
23	KDBA1022	Washer Plain	1	1	1	-	-	-	-	-	
24	KDDB1018	Washer Spring Thin	1	1	1	-	-	-	-	-	
25	LCA00010	Nut Hex Thik	1	1	1	-	-	-	-	-	
26	LAC00173	Bolt Socket M8X1.25	4	4	4	-	-	-	-	-	
27	24171200	Seal Pivot	2	2	2	-	-	-	-	-	
28	LJA00014	Ring O	2	2	2	-	-	-	-	-	

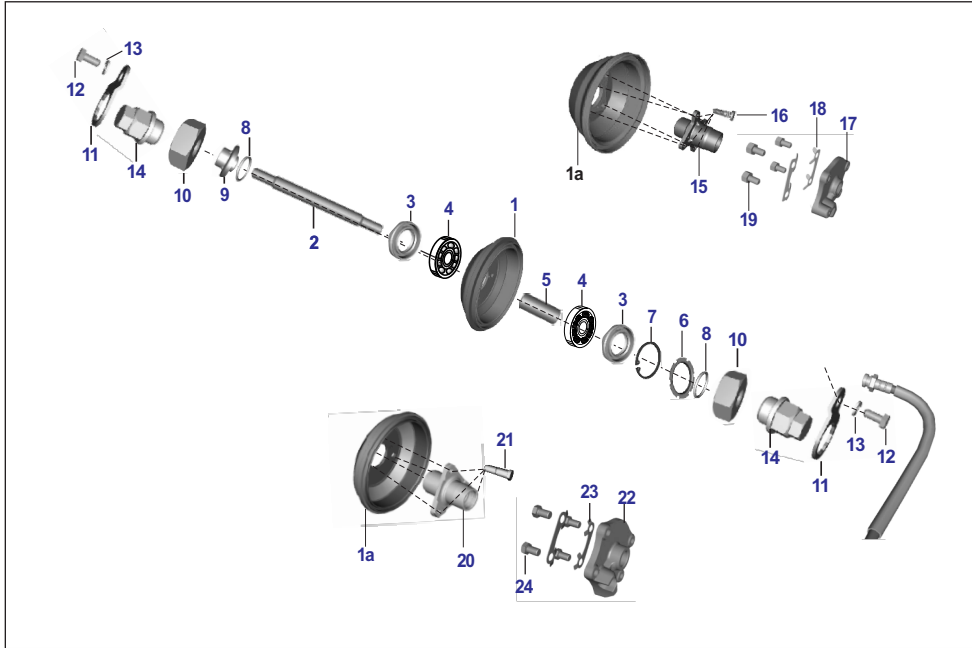
AU - RE PET
AF - RE CNG
AM - RE LPG

AZ - Maxima Z CNG
RA - Maxima ZLPG

AT - Maxima XWIDE CNG
AT1 - Maxima XWIDE LPG
AN - Maxima C CNG

PLATE NO. 42: FRONT BRAKE DRUM

ALTERNATE FUEL
MF & BF OBD2B



No.	Part No.	Description	RE		Z		XWIDE		C	Remarks	
			AU	AF	AM	AZ	RA	AT	AT1		AN
1	AZ131621	Drum Brake Front	-	-	-	1	1	-	-	-	
1a	AL151242	Drum brake front	-	-	-	-	-	1	1	1	
2	AP151002	Axle	-	-	-	1	1	-	-	-	
2	AL151004	Front Wheel Axle	-	-	-	-	-	1	1	1	
3	39173719	Seal - Oil :- 26 X 42 X 8	-	-	-	1	1	1	1	1	
4	KPBC6004	Bearing-Ball-C3 Clearance	-	-	-	2	2	2	2	2	
5	BH131024	Tube Assembly	-	-	-	1	1	-	-	-	
5	AL151005	Distance piece assly	-	-	-	-	-	1	1	1	
6	AL151007	Collar	-	-	-	1	1	1	1	1	
7	39246417	Circlip	-	-	-	1	1	-	-	-	
7	KEBB4217	Circlip internal	-	-	-	1	1	1	1	1	
8	KJAA2024	O Ring	-	-	-	2	2	2	2	2	
9	BH131600	Assembly Spacer FL	-	-	-	1	1	-	-	-	
9	AL151008	Spacer assly.	-	-	-	-	-	1	1	1	
10	LCA00019	Nut Hex	-	-	-	2	2	2	2	2	
11	AL151012	Locking Clip	-	-	-	2	2	2	2	2	

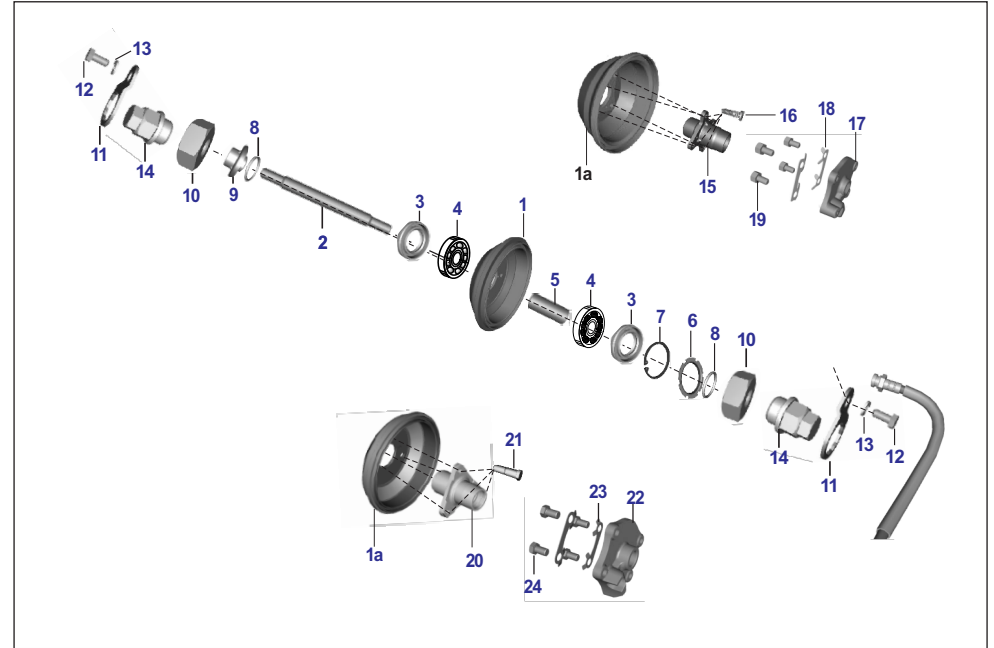
AU - RE PET
AF - RE CNG
AM - RE LPG

AZ - Maxima Z CNG
RA - Maxima Z LPG

AT - Maxima XWIDE CNG
AT1 - Maxima XWIDE LPG
AN - Maxima C CNG

PLATE NO. 42: FRONT BRAKE DRUM

ALTERNATE FUEL
MF & BF OBD2B

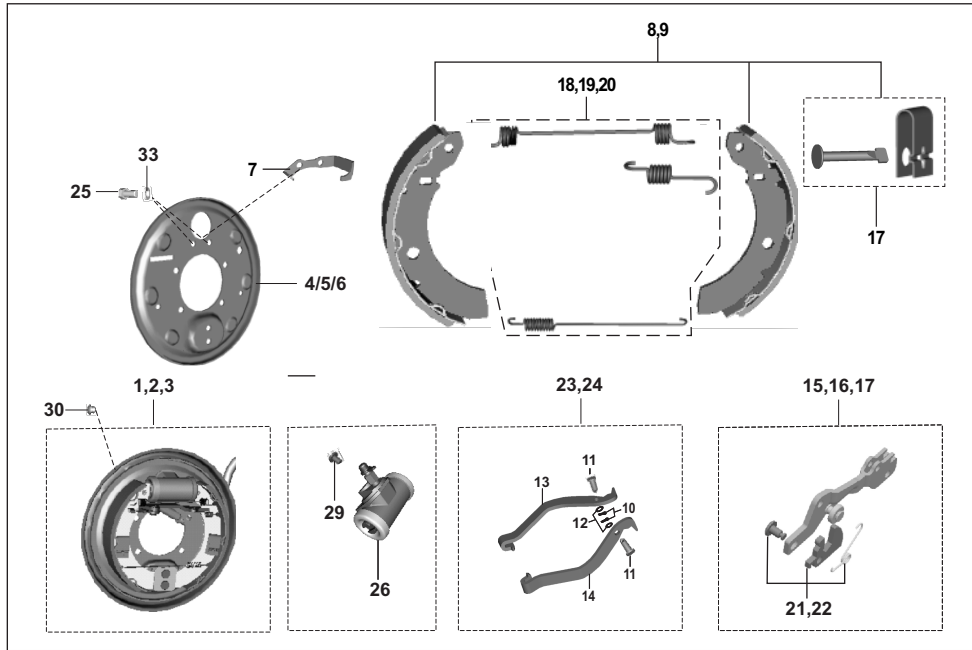


No.	Part No.	Description	RE		Z		XWIDE		C	Remarks	
			AU	AF	AM	AZ	RA	AT	AT1		AN
12	KAAD0614	Bolt	-	-	-	2	2	2	2	2	
13	KDDA0612	Washer Sp Thn	-	-	-	2	2	2	2	2	
14	AL151011	Collar Nut	-	-	-	2	2	2	2	2	
15	AZ131624	Hub Front	-	-	-	1	1	-	-	-	
16	BF131710	Bolt M10	-	-	-	4	4	-	-	-	
17	AZ131604	Flange Panel Brake	-	-	-	1	1	-	-	-	
18	AF151040	Plate Lock	-	-	-	2	2	-	-	-	
19	LAA00047	Bolt M10X1.25	-	-	-	4	4	-	-	-	
20	AL151243	Hub front maxima	-	-	-	-	-	1	1	1	
21	AL171066	Bolt for axle	-	-	-	-	-	3	3	3	
22	AL151266	Flange Panel Brake	-	-	-	-	-	1	1	1	
23	AL171053	Plate - Lock	-	-	-	-	-	2	2	2	
24	39042304	Bolt	-	-	-	-	-	4	4	4	

AU - RE PET
AF - RE CNG
AM - RE LPG

AZ - Maxima Z CNG
RA - Maxima Z LPG

AT - Maxima XWIDE CNG
AT1 - Maxima XWIDE LPG
AN - Maxima C CNG

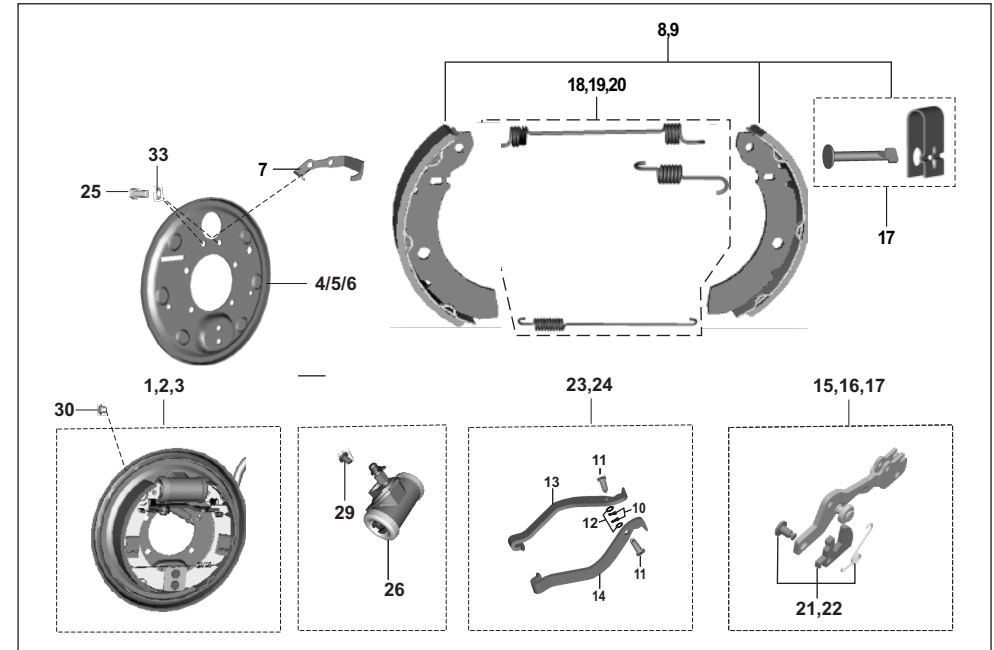


No.	Part No.	Description	RE			Z		XWIDE		C	Remarks
			AU	AF	AM	AZ	RA	AT	AT1	AN	
1	AH131888	Panel Assembly Brake FR	1	1	1	-	-	-	-	-	
2	AA151069	Panel Assembly Brake Rear RH	1	1	1	-	-	-	-	-	
3	AA151071	Panel Assembly Brake Rear LH	1	1	1	-	-	-	-	-	
4	AP151017	Back Plate Front	1	1	1	-	-	-	-	-	
5	24151174	Back Plate Assly. LH	1	1	1	-	-	-	-	-	
6	24151178	Back Panel Assly RH	1	1	1	-	-	-	-	-	
7	24151247	Assembly Bracket Guide Hose F	1	1	1	-	-	-	-	-	
8	36244084	Kit_Brake Shoe Kit Front	1	1	1	-	-	-	-	-	
9	AA151044	Kit Brake Shoe Rear	2	2	2	-	-	-	-	-	
10	KHAA2512	Pin Cotter-Dia.	1	1	1	-	-	-	-	-	
11	24151146	Pin Pivot-Park Lever	1	1	1	-	-	-	-	-	
12	24151148	Washer- Plain Park Lever	1	1	1	-	-	-	-	-	
13	BH131813	Lever Parking Brake LH	1	1	1	-	-	-	-	-	
14	BH131814	Lever Parking Brake RH	1	1	1	-	-	-	-	-	
15	36AA4147	Assly Auto Adjuster Front	1	1	1	-	-	-	-	-	
16	24151175	Assly Auto Adjuster LH	1	1	1	-	-	-	-	-	
17	24151179	Assly Auto Adjuster RH	1	1	1	-	-	-	-	-	

AU - RE PET
AF - RE CNG
AM - RE LPG

AZ - Maxima Z CNG
RA - Maxima ZLPG

AT - Maxima XWIDE CNG
AT1 - Maxima XWIDE LPG
AN - Maxima C CNG

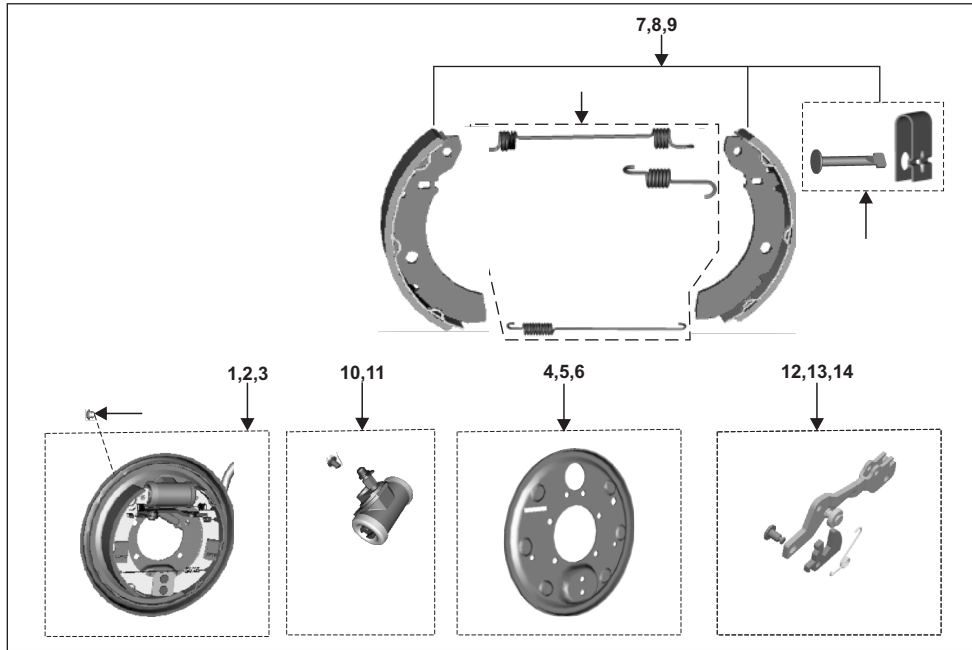


No.	Part No.	Description	RE			Z		XWIDE		C	Remarks
			AU	AF	AM	AZ	RA	AT	AT1	AN	
18	36AA4145	Brake Shoe Clamp Spring Kit- Fr	1	1	1	-	-	-	-	-	
19	24151182	Spring Kit RH	1	1	1	-	-	-	-	-	
20	24151173	Spring Kit FR/LH	2	2	2	-	-	-	-	-	
21	24151170	Ratchet Kit For FR & LH	2	2	2	-	-	-	-	-	
22	24151181	Ratchet Kit RH	1	1	1	-	-	-	-	-	
23	24151177	Kit Parking Lever LH	1	1	1	-	-	-	-	-	
24	24151183	Kit Parking Lever RH	1	1	1	-	-	-	-	-	
25	AL151054	Bolt	2	2	2	-	-	-	-	-	
26	24151164	Cylinder Assy Wheel Comp Rear	3	3	3	-	-	-	-	-	
27	24151113	Kit- Major Wheel Cylinder-Rear	3	3	3	-	-	-	-	-	NI
28	24151114	Kit-Minor Wheel Cylinder-Rear	3	3	3	-	-	-	-	-	NI
29	AB151079	Screw - Bleeder	3	3	3	-	-	-	-	-	
30	YAZ08019	Protection Plug	3	3	3	-	-	-	-	-	
31	36BA4015	Wheel Cylinder Mtg Kit Fr.- Re	1	1	1	-	-	-	-	-	NI
32	36BA4014	Wheel Cylinder Mtg Kit Rr	2	2	2	-	-	-	-	-	NI
33	AL151053	Washer Spring	2	2	2	-	-	-	-	-	

AU - RE PET
AF - RE CNG
AM - RE LPG

AZ - Maxima Z CNG
RA - Maxima ZLPG

AT - Maxima XWIDE CNG
AT1 - Maxima XWIDE LPG
AN - Maxima C CNG

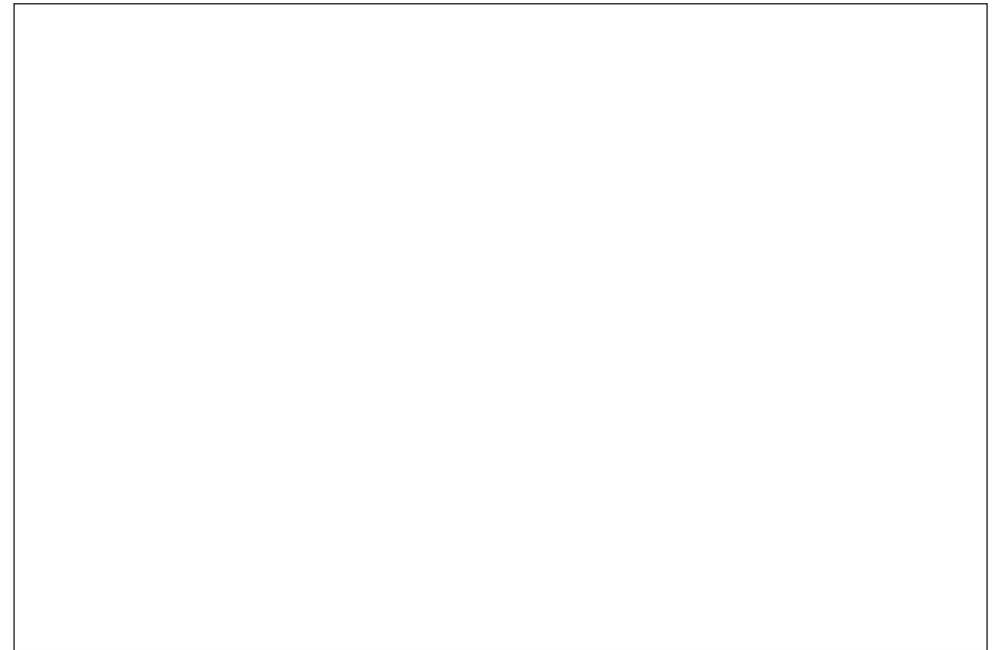


No.	Part No.	Description	RE			Z		XWIDE		C	Remarks
			AU	AF	AM	AZ	RA	AT	AT1	AN	
1	AF151037	Panel Assembly Brake Front	-	-	-	1	1	-	-	-	
2	AZ131848	Panel Assembly Brake Rear LH	-	-	-	1	1	-	-	-	
3	AZ131849	Panel Assembly Brake Rear RH	-	-	-	1	1	-	-	-	
4	52AH1328	Back Plate Front FR_AF151037	-	-	-	1	1	-	-	-	
5	52AH1329	Back Plate Assly LH_AZ131848	-	-	-	1	1	-	-	-	
6	52AH1330	Back Plate Assly RH_AZ131849	-	-	-	1	1	-	-	-	
7	36AH0049	Brake Shoe Assembly Kit FR	-	-	-	1	1	-	-	-	
8	36AH0050	Brake Shoe Assembly Kit RR LH	-	-	-	2	2	-	-	-	
9	36AH0051	Brake Shoe Assembly Kit RR RH	-	-	-	1	1	-	-	-	
10	YAH26012	Wheel Cylinder FR	-	-	-	1	1	-	-	-	
11	YAH26014	Wheel Cylinder Rear - LH/RH	-	-	-	2	2	-	-	-	
12	AL151194	Adjuster Assembly Auto FR	-	-	-	1	1	-	-	-	
13	YAH26015	Auto Adjuster Assembly LH	-	-	-	1	1	-	-	-	
14	YAH26016	Auto Adjuster Assembly RH	-	-	-	1	1	-	-	-	

AU - RE PET
AF - RE CNG
AM - RE LPG

AZ - Maxima Z CNG
RA - Maxima ZLPG

AT - Maxima XWIDE CNG
AT1 - Maxima XWIDE LPG
AN - Maxima C CNG

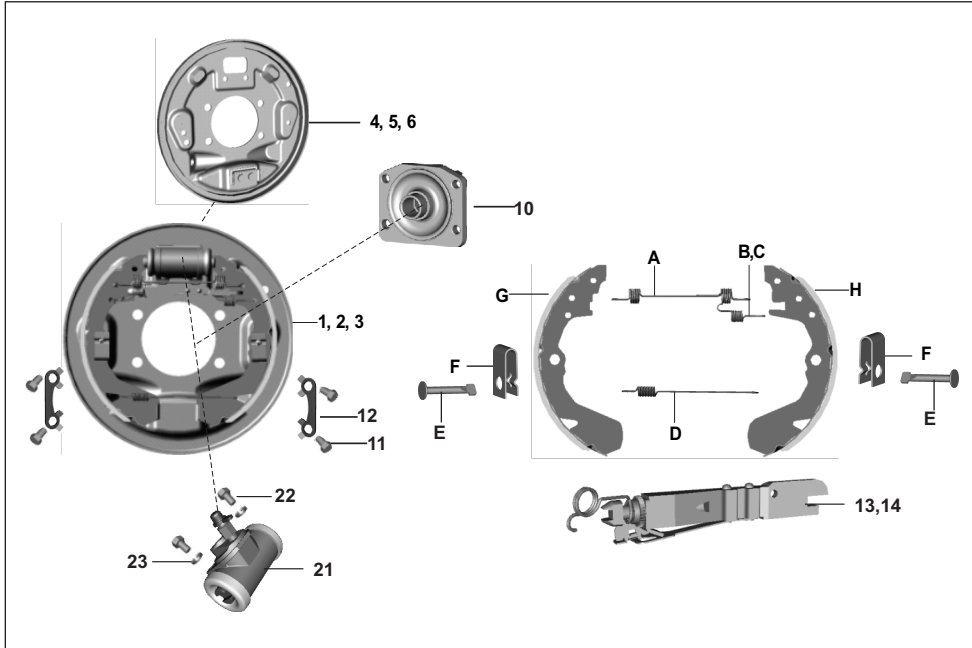


No.	Part No.	Description	RE			Z		XWIDE		C	Remarks
			AU	AF	AM	AZ	RA	AT	AT1	AN	

AU - RE PET
AF - RE CNG
AM - RE LPG

AZ - Maxima Z CNG
RA - Maxima ZLPG

AT - Maxima XWIDE CNG
AT1 - Maxima XWIDE LPG
AN - Maxima C CNG

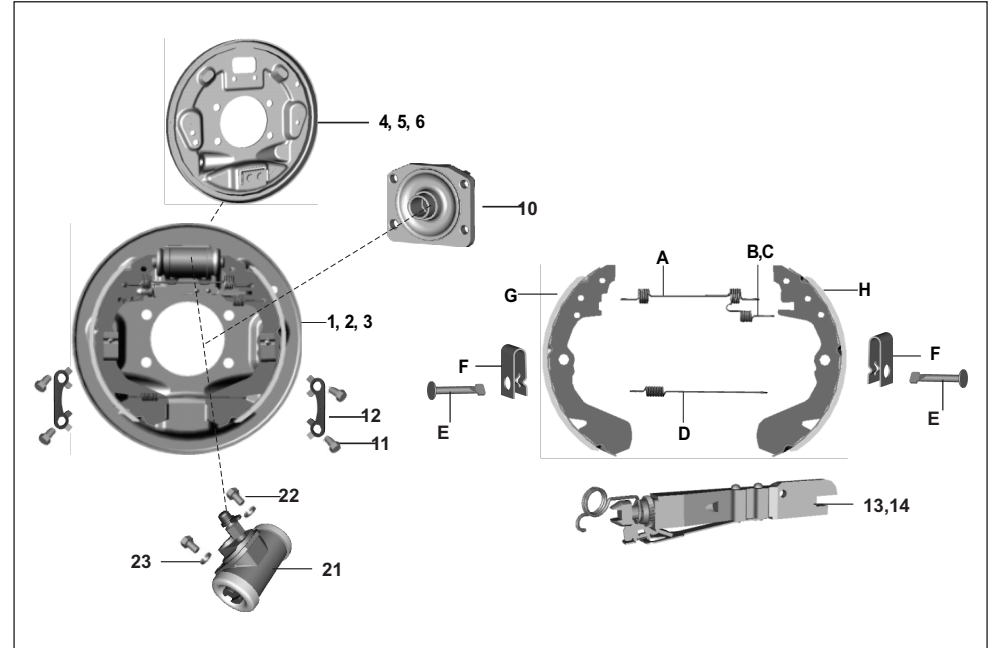


No.	Part No.	Description	RE			Z		XWIDE		C	Remarks
			AU	AF	AM	AZ	RA	AT	AT1	AN	
1	AL151276	Panel Assembly Front	-	-	-	-	-	1	1	1	
2	AL151278	Panel Assembly Rear RH	-	-	-	-	-	1	1	1	
3	AL151277	Panel Assembly Rear LH	-	-	-	-	-	1	1	1	
4	36AL0033	Back plate assly FR	-	-	-	-	-	1	1	1	
5	36AL0038	Back platel assly RH	-	-	-	-	-	1	1	1	
6	36AL0040	Back plate assly. LH	-	-	-	-	-	1	1	1	
7	BB151064	Shoe clamp spring kit	-	-	-	-	-	3	3	3	
8	BB151062	Spring kit fr. LH	-	-	-	-	-	3	3	3	
9	BB151063	Spring kit RH	-	-	-	-	-	3	3	3	
10	AL151266	Flange back plate cargo -	-	-	-	-	-	1	1	1	
11	39042304	Bolt hexagon head (KADD1016)	-	-	-	-	-	4	4	4	
12	AL171053	Lock plate	-	-	-	-	-	2	2	2	
13	AL151194	Auto adjuster assly front	-	-	-	-	-	1	1	1	
14	AL151211	Auto adjuster assly LH	-	-	-	-	-	1	1	1	
14	AL151212	Assly auto adjuster RH	-	-	-	-	-	1	1	1	
15	36AL0050	Front brake shoe kit maxima	-	-	-	-	-	1	1	1	NI
16	36AL0051	Rear rh brake shoe kit maxima	-	-	-	-	-	1	1	1	NI

AU - RE PET
AF - RE CNG
AM - RE LPG

AZ - Maxima Z CNG
RA - Maxima ZLPG

AT - Maxima XWIDE CNG
AT1 - Maxima XWIDE LPG
AN - Maxima C CNG



No.	Part No.	Description	RE			Z		XWIDE		C	Remarks
			AU	AF	AM	AZ	RA	AT	AT1	AN	
17	36AL0052	Rear LH brake shoe kit maxima	-	-	-	-	-	1	1	1	NI
18	36AL0030	Wheel cylinder major kit	-	-	-	-	-	3	3	3	NI
19	36AL0029	Wheel cylinder minor kit	-	-	-	-	-	3	3	3	NI
20	BF131904	Plug protection	-	-	-	-	-	2	2	2	
21	AL151231	Assy wheel cylinder	-	-	-	-	-	3	3	3	
22	AL151205	Bolt wheel cylinder Mtg.	-	-	-	-	-	2	2	2	
23	BF131905	Washer spring	-	-	-	-	-	2	2	2	
24	AL151279	Assly Panel Brake-flange	-	-	-	-	-	1	1	1	NI

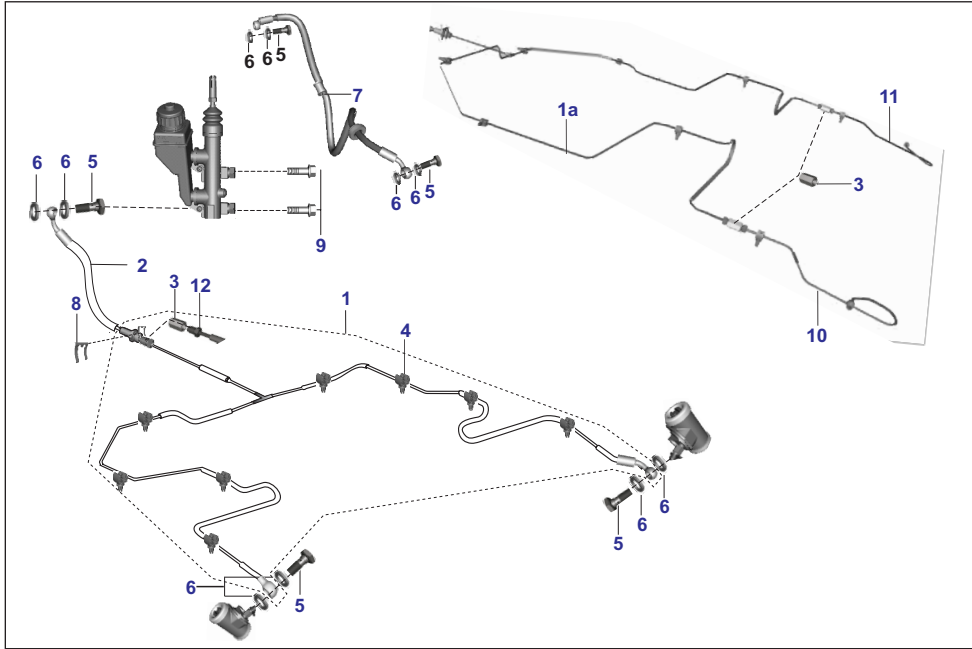
AU - RE PET
AF - RE CNG
AM - RE LPG

AZ - Maxima Z CNG
RA - Maxima ZLPG

AT - Maxima XWIDE CNG
AT1 - Maxima XWIDE LPG
AN - Maxima C CNG

PLATE NO. 45: BRAKE PIPE

ALTERNATE FUEL
MF & BF OBD2B



No.	Part No.	Description	RE			Z		XWIDE		C	Remarks
			AU	AF	AM	AZ	RA	AT	AT1	AN	
1	AF151105	Pipe Assembly Brake Rear	1	1	1	-	-	-	-	-	
1	AZ131842	Pipe Assembly Brake Rear	-	-	-	1	1	-	-	-	
1	BB151091	Pipe Assembly Brake Rear	-	-	-	-	-	1	1	-	
1	AN151036	Pipe Assembly Brake Rear	-	-	-	-	-	-	-	1	
2	24151234	Hose Rear Circuit-1 FL	1	1	1	1	1	-	-	-	
2	BB151073	Assembly Brake Pipe Rear1	-	-	-	-	-	1	1	1	
3	EC131821	Connector 2 way hex	-	-	-	2	2	2	2	2	
4	BG113804	Clamp brake pipe	9	9	9	9	9	9	9	9	
5	AB151049	Bolt - M10 X 1 :- Banjo, Brake	2	2	2	2	2	2	2	2	
6	21150422	Packing - copper washer	10	10	10	10	10	10	10	10	
7	AA151039	Hose Brake Front FL	1	1	1	-	-	-	-	-	
7	BH131804	Hose Brake Front	-	-	-	1	1	-	-	-	
7	BB151026	Hose Brake Front	-	-	-	-	-	1	1	1	
8	EC131835	Clip Hose	1	1	1	1	1	-	-	-	
9	KADD1030	Bolt-flange-tmc mounting	2	2	2	2	2	2	2	2	
10	AZ131831	Pipe Assembly Brake Rear LH	-	-	-	1	1	-	-	-	
11	AZ131832	Pipe Assembly Brake Rear RH	-	-	-	1	1	-	-	-	
12	BF132013	Connector Brake Pipe(M10X1)	1	1	1	1	1	1	1	1	

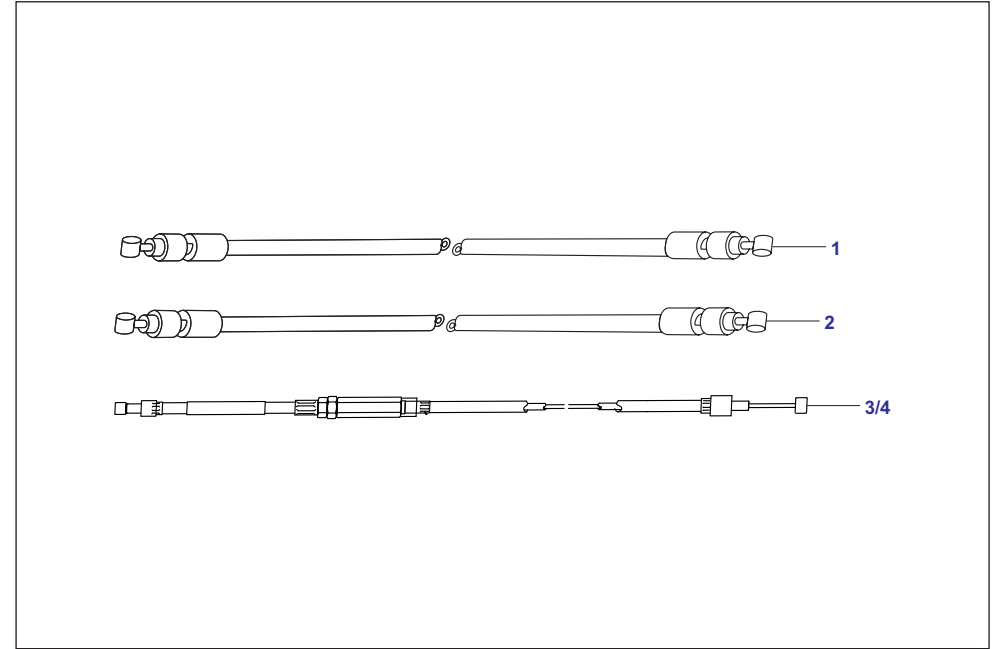
AU - RE PET
AF - RE CNG
AM - RE LPG

AZ - Maxima Z CNG
RA - Maxima Z LPG

AT - Maxima XWIDE CNG
AT1 - Maxima XWIDE LPG
AN - Maxima C CNG

PLATE NO. 46: CONTROL CABLES

ALTERNATE FUEL
MF & BF OBD2B



No.	Part No.	Description	RE			Z		XWIDE		C	Remarks
			AU	AF	AM	AZ	RA	AT	AT1	AN	
1	AF191088	Cable Accelerator	1	1	1	-	-	-	-	-	
1	AZ161233	Cable Accelerator	-	-	-	1	1	1	1	-	
1	AF191030	Cable Accelerator Lt	-	-	-	-	-	-	-	1	
2	AT161222	Cable Clutch	1	1	1	-	-	1	1	-	
2	AZ161234	Cable Clutch	-	-	-	1	1	-	-	-	
2	AN191134	Cable Clutch	-	-	-	-	-	-	-	1	
3	AT161221	Cable Gear Black	1	1	1	1	1	1	1	-	
3	AN191137	Cable Gear Black	-	-	-	-	-	-	-	1	
4	AT161220	Cable Gear White	1	1	1	1	1	1	1	-	
4	AN191136	Cable Gear White	-	-	-	-	-	-	-	1	
5	AA201344	Cable Lamp Faremeter	1	1	1	1	1	1	1	-	NI

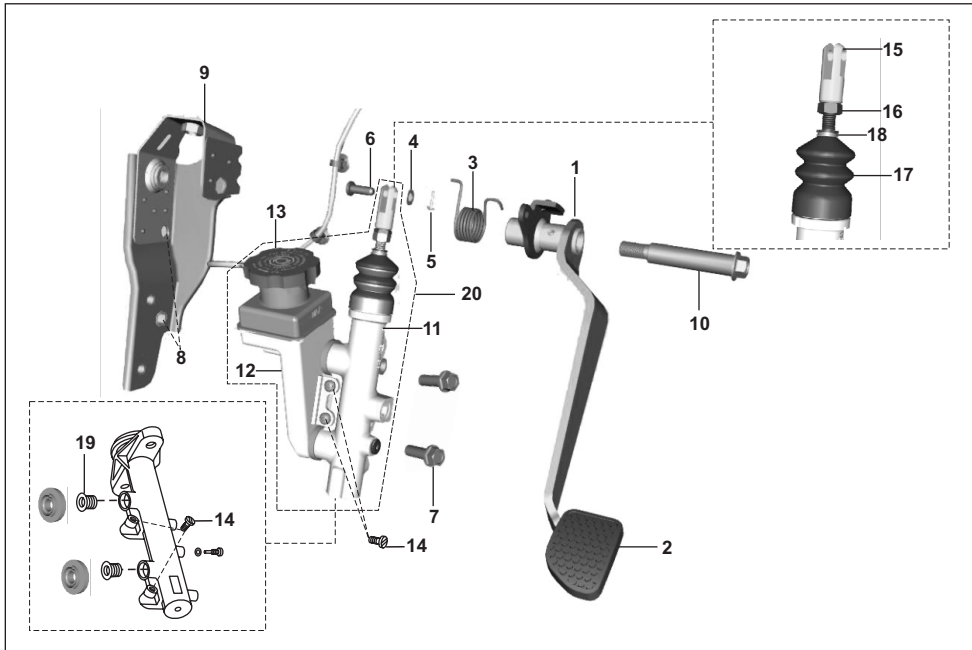
AU - RE PET
AF - RE CNG
AM - RE LPG

AZ - Maxima Z CNG
RA - Maxima Z LPG

AT - Maxima XWIDE CNG
AT1 - Maxima XWIDE LPG
AN - Maxima C CNG

PLATE NO. 47: TANDEM MASTER CYLINDER

ALTERNATE FUEL
MF & BF OBD2B



No.	Part No.	Description	RE			Z		XWIDE		C	Remarks
			AU	AF	AM	AZ	RA	AT	AT1	AN	
1	BH161019	Assly Brake Pedal With Pad FI	1	1	1	-	-	-	-	-	
1	AZ161028	Assembly Pedal Brake	-	-	-	1	1	-	-	-	
1	AT161014	Assembly Pedal Brake Lt	-	-	-	-	-	1	1	1	
2	24151232	Pad Brake Pedal	1	1	1	1	1	1	1	1	
3	BH161027	Spring Brake Pedal Retainer	1	1	1	1	1	1	1	1	
4	39019911	Plain Washer	2	2	2	2	2	2	2	2	
5	KHAA2018	Pin Cotter	1	1	1	1	1	1	1	1	
6	39170207	Pin - Clevis With Head	1	1	1	-	-	1	1	1	
6	LHE00010	Pin Clevis With Hole	-	-	-	1	1	-	-	-	
7	KADD1030	Bolt Flanged	2	2	2	2	2	2	2	2	
8	39105515	Nut Hex Flanged	2	2	2	2	2	2	2	2	
9	BH161017	Assembly Bkt Brake Pedal Mtg	1	1	1	-	-	1	1	1	
9	AZ161032	Assembly Bracket Pedal Brake	-	-	-	1	1	-	-	-	
10	LAD00136	Bolt Flanged	1	1	1	-	-	1	1	1	
10	LAD00313	Bolt Flanged	-	-	-	1	1	-	-	-	
11	AH131867	Cylinder Tandem Master	1	1	1	-	-	1	1	1	

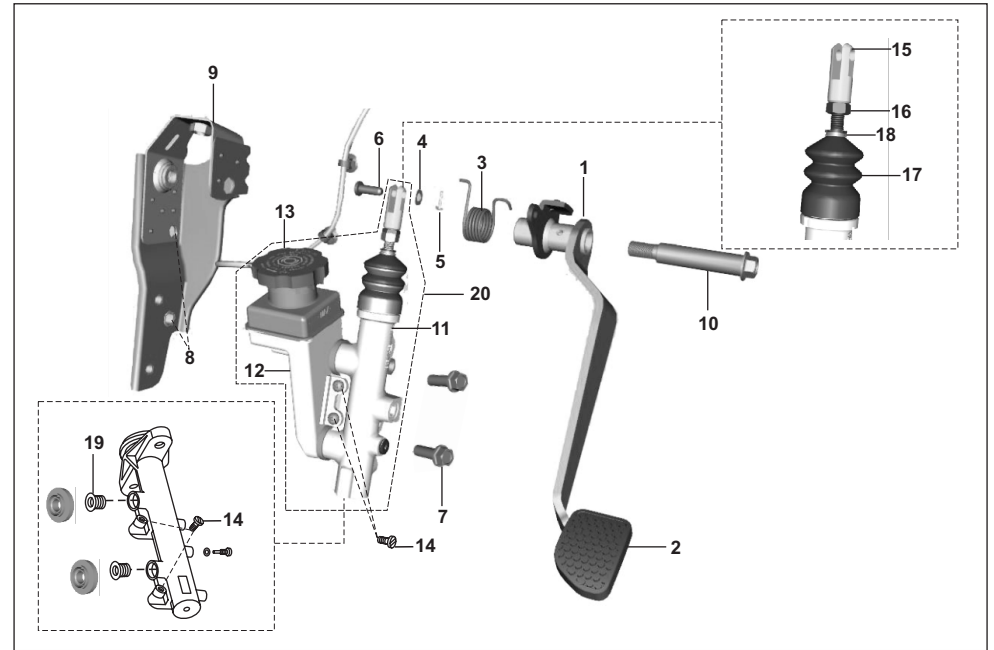
AU - RE PET
AF - RE CNG
AM - RE LPG

AZ - Maxima Z CNG
RA - Maxima ZLPG

AT - Maxima XWIDE CNG
AT1 - Maxima XWIDE LPG
AN - Maxima C CNG

PLATE NO. 47: TANDEM MASTER CYLINDER

ALTERNATE FUEL
MF & BF OBD2B

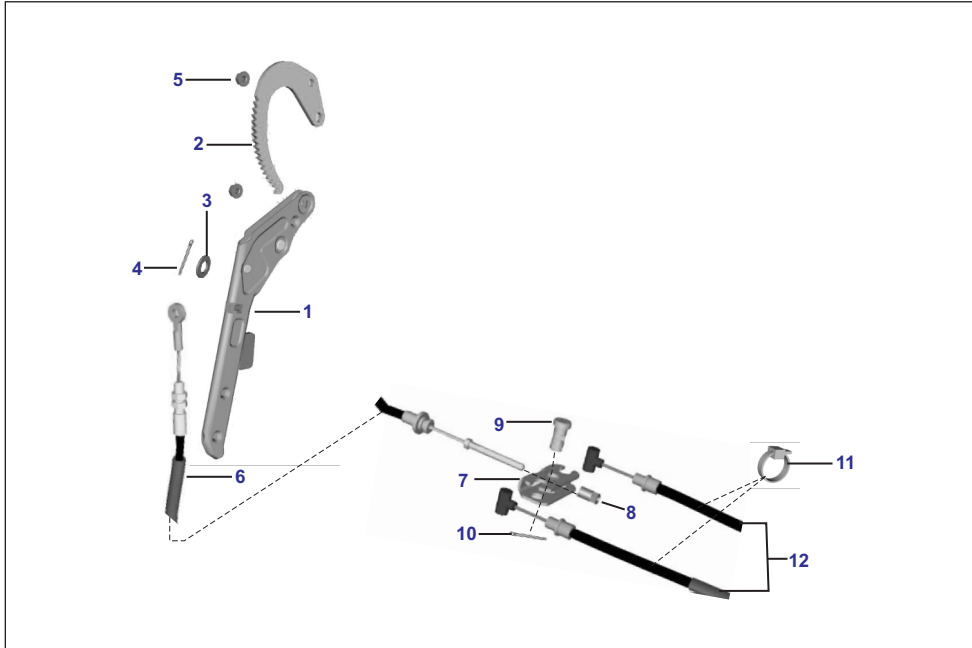


No.	Part No.	Description	RE			Z		XWIDE		C	Remarks
			AU	AF	AM	AZ	RA	AT	AT1	AN	
11	AZ131847	Cylinder Tandem Master	-	-	-	1	1	-	-	-	
12	AA151112	Reservoir	1	1	1	1	1	1	1	1	
13	YAZ08001	Cap Assy Reservoir- Bs6	1	1	1	1	1	1	1	1	
14	24151093	Screw Reservoir Mtg.	2	2	2	2	2	2	2	2	
15	24151087	Push Rod Complete	1	1	1	1	1	1	1	1	
16	24151094	Hex. Nut	1	1	1	1	1	1	1	1	
17	AB151070	Boot	1	1	1	1	1	1	1	1	
18	24151079	Boot	1	1	1	1	1	1	1	1	
19	24151092	Seal-Oil Supply Port	2	2	2	2	2	2	2	2	
20	AH131866	Cyl A. TanD Master With Reser.	1	1	1	1	1	1	1	1	
21	24151097	Major Kit BS6TMC	1	1	1	1	1	1	1	1	NI
22	24151098	Minor Kit BS6 TMC	1	1	1	1	1	1	1	1	NI

AU - RE PET
AF - RE CNG
AM - RE LPG

AZ - Maxima Z CNG
RA - Maxima ZLPG

AT - Maxima XWIDE CNG
AT1 - Maxima XWIDE LPG
AN - Maxima C CNG

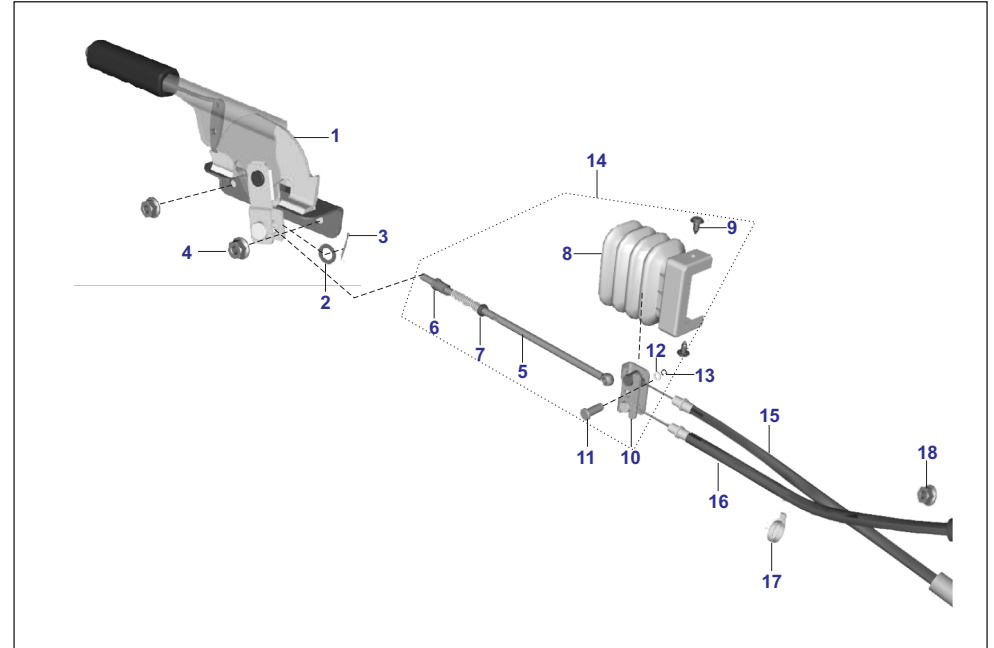


No.	Part No.	Description	RE			Z		XWIDE		C	Remarks
			AU	AF	AM	AZ	RA	AT	AT1	AN	
1	AA151165	Lever Assembly Brake Parking	1	1	1	-	-	-	-	-	
2	AA151166	Ratchet	1	1	1	-	-	-	-	-	
3	AT131807	Collar	1	1	1	-	-	-	-	-	
4	KHAA2020	Pin Cotter	1	1	1	-	-	-	-	-	
5	KCGA0808	Nut Hex Flanged	2	2	2	-	-	-	-	-	
6	BG131802	Cable Assy Hand Brake Front	1	1	1	-	-	-	-	-	
7	AT131820	Bracket Equaliser	1	1	1	-	-	-	-	-	
8	24151238	Nut Special M6 X 1 For Hb Cable	1	1	1	-	-	-	-	-	
9	24151068	Pin - Rear Cable Guide	1	1	1	-	-	-	-	-	
10	KHAA2020	Pin Cotter	1	1	1	-	-	-	-	-	
11	PA402204	Band (Length 110Mm)	2	2	2	-	-	-	-	-	
12	AA151052	Cable Brake Parking Rear	2	2	2	-	-	-	-	-	

AU - RE PET
AF - RE CNG
AM - RE LPG

AZ - Maxima Z CNG
RA - Maxima Z LPG

AT - Maxima XWIDE CNG
AT1 - Maxima XWIDE LPG
AN - Maxima C CNG

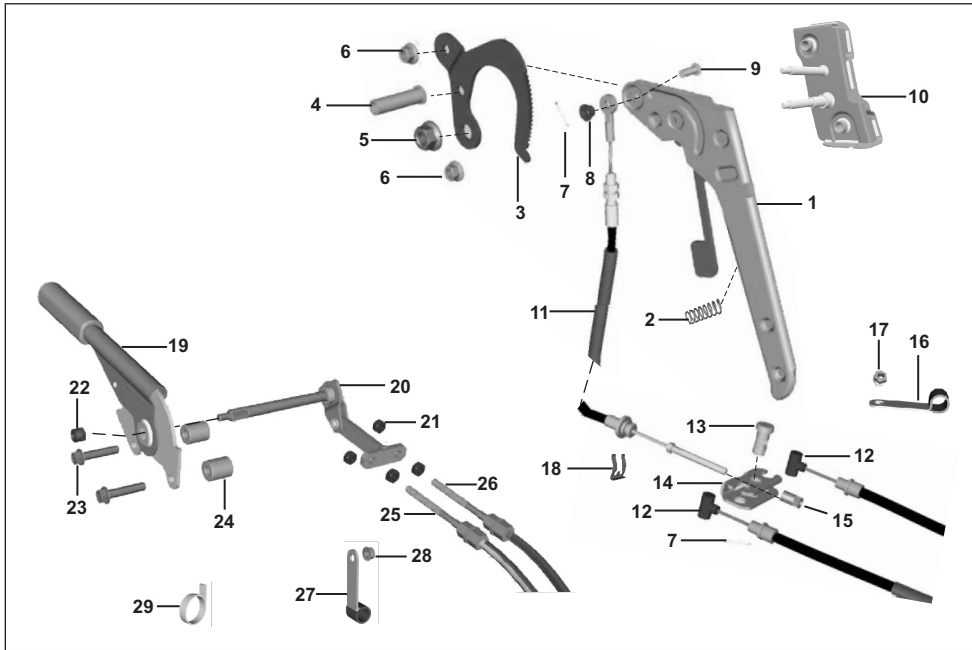


No.	Part No.	Description	RE			Z		XWIDE		C	Remarks
			AU	AF	AM	AZ	RA	AT	AT1	AN	
1	AZ131803	Assly Pkb Lever With Grip	-	-	-	1	1	-	-	-	
2	LDA00032	Washer Plain	-	-	-	1	1	-	-	-	
3	KHAA2025	Pin Cotter	-	-	-	1	1	-	-	-	
4	KCGA0808	Nut Hex Flanged	-	-	-	2	2	-	-	-	
5	AH131851	Rod Brake Front	-	-	-	1	1	-	-	-	
6	AZ131815	Nut Special PKB UG	-	-	-	1	1	-	-	-	
7	KCBA0805	Nut Hex Thin	-	-	-	1	1	-	-	-	
8	AH131853	Cover Equalizer	-	-	-	1	1	-	-	-	
9	BF185019	Clip Plastic Rivet	-	-	-	2	2	-	-	-	
10	AH131852	Bracket Equalizer	-	-	-	1	1	-	-	-	
11	AH131861	Pin	-	-	-	1	1	-	-	-	
12	LDA00034	Washer Plain	-	-	-	1	1	-	-	-	
13	KECA6008	Circlip Type - E	-	-	-	1	1	-	-	-	
14	AH131850	Equalizer Assembly	-	-	-	1	1	-	-	-	
15	AZ161229	Cable Brake Parking Rear RH	-	-	-	1	1	-	-	-	
16	AH131859	Cable Brake Parking Rear LH	-	-	-	1	1	-	-	-	
17	JD402217	Strap Cable	-	-	-	2	2	-	-	-	
18	KCGA0606	Nut Hex Flanged	-	-	-	2	2	-	-	-	

AU - RE PET
AF - RE CNG
AM - RE LPG

AZ - Maxima Z CNG
RA - Maxima Z LPG

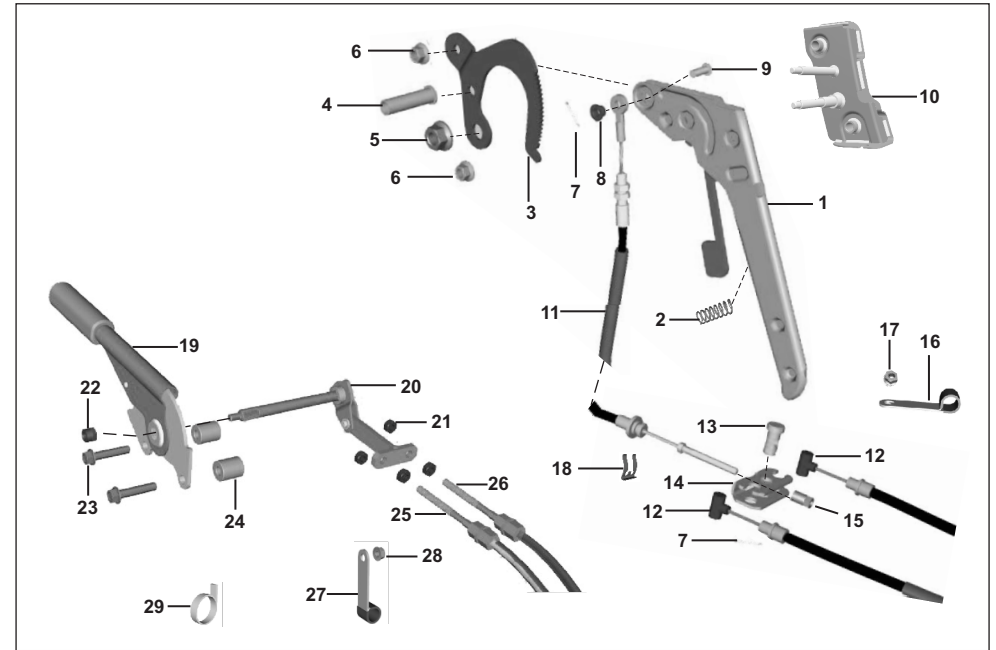
AT - Maxima XWIDE CNG
AT1 - Maxima XWIDE LPG
AN - Maxima C CNG



No.	Part No.	Description	RE			Z		XWIDE		C	Remarks
			AU	AF	AM	AZ	RA	AT	AT1	AN	
1	AT131800	Lever assembly-parking brake	-	-	-	-	-	1	1	-	
2	22150524	Spring	-	-	-	-	-	1	1	-	
3	AT131802	Ratchet	-	-	-	-	-	1	1	-	
4	AT131810	Sleeve	-	-	-	-	-	1	1	-	
5	KCGD1414	Nut hex flanged	-	-	-	-	-	1	1	-	
6	KCGA1010	Nut-hex-flanged	-	-	-	-	-	2	2	-	
7	KHAA2020	Pin Cotter	-	-	-	-	-	2	2	-	
8	AT131807	Washer	-	-	-	-	-	1	1	-	
9	22151067	Pin for hand brake cable	-	-	-	-	-	1	1	-	
10	AT131809	Bracket Mounting Assembly	-	-	-	-	-	1	1	-	
11	AT131817	Cable brake parking front	-	-	-	-	-	1	1	-	
12	AT131819	Cable brake parking rear	-	-	-	-	-	2	2	-	
13	24151068	Pin - rear cable guide	-	-	-	-	-	1	1	-	
14	AT131820	Bracket equaliser	-	-	-	-	-	1	1	-	
15	24151238	Nut special M6	-	-	-	-	-	1	1	-	
16	BB191033	Clamp	-	-	-	-	-	2	2	-	
17	LCL00002	Nut - flange :- M6	-	-	-	-	-	2	2	-	

AU - RE PET
AF - RE CNG
AM - RE LPG
AZ - Maxima Z CNG
RA - Maxima Z LPG

AT - Maxima XWIDE CNG
AT1 - Maxima XWIDE LPG
AN - Maxima C CNG



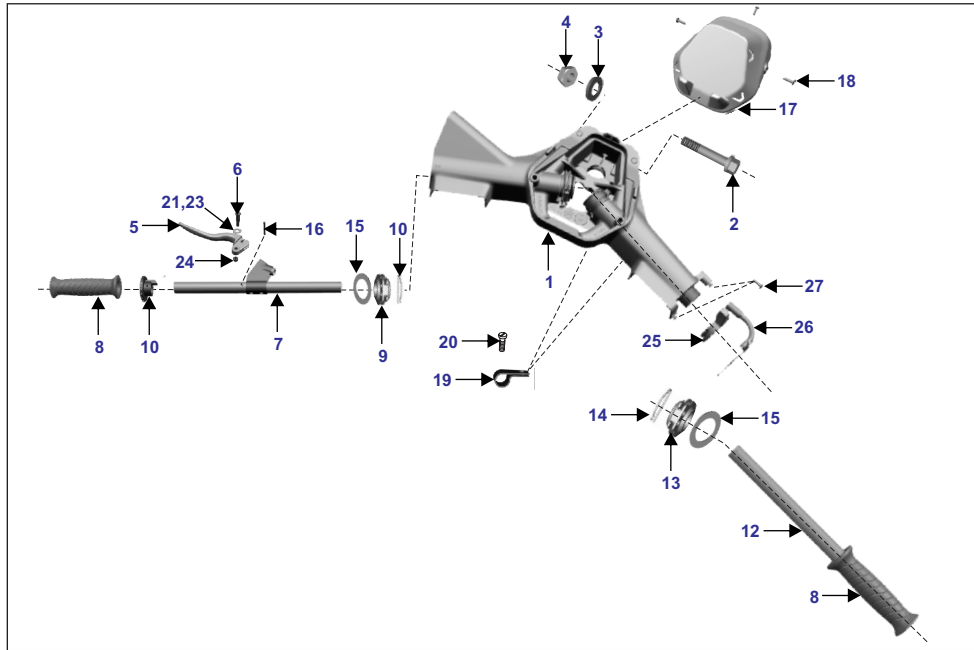
No.	Part No.	Description	RE			Z		XWIDE		C	Remarks
			AU	AF	AM	AZ	RA	AT	AT1	AN	
18	BF161283	Clip cable lock	-	-	-	-	-	1	1	-	
19	BB151087	Lever assembly brake parking	-	-	-	-	-	-	-	1	
20	BB151088	Puller assembly brake parking	-	-	-	-	-	-	-	1	
21	39069415	Hex lock nut-M8X1.25	-	-	-	-	-	-	-	4	
22	39069015	Nut - nyloc - M8	-	-	-	-	-	-	-	1	
23	KADD0840	Bolt flanged	-	-	-	-	-	-	-	2	
24	AL161828	Bush	-	-	-	-	-	-	-	2	
25	AN191095	Cable Brake Parking LH	-	-	-	-	-	-	-	1	
26	AN191096	Cable Brake Parking RH	-	-	-	-	-	-	-	1	
27	BB191033	Clamp	-	-	-	-	-	-	-	2	
28	LCL00002	Nut flanged	-	-	-	-	-	-	-	2	
29	JD402217	Band(L 150)	-	-	-	-	-	-	-	1	

AU - RE PET
AF - RE CNG
AM - RE LPG
AZ - Maxima Z CNG
RA - Maxima Z LPG

AT - Maxima XWIDE CNG
AT1 - Maxima XWIDE LPG
AN - Maxima C CNG

PLATE NO. 53: HANDLE BAR

ALTERNATE FUEL
MF & BF OBD2B



No.	Part No.	Description	RE			Z		XWIDE		C	Remarks
			AU	AF	AM	AZ	RA	AT	AT1	AN	
1	AZ151070	Handlebar	1	1	1	1	1	1	1	1	
2	39137704	Hex. Bolt With Collar	1	1	1	1	1	1	1	1	
3	39020111	Plain Washer	1	1	1	1	1	1	1	1	
4	LCA00010	Nut Hex Thik-M10	1	1	1	1	1	1	1	1	
5	AA191032	Lever Clutch	1	1	1	1	1	1	1	1	
6	24191105	Lever Clutch Screw	1	1	1	1	1	1	1	1	
7	BB191067	Tube Assembly Gear Control Lt	1	1	1	1	1	1	1	1	
8	AZ161043	Grip	2	2	2	2	2	2	2	2	
9	24191184	Gear Control Pulley	1	1	1	1	1	1	1	1	
10	24191185	Spring Clip	1	1	1	1	1	1	1	1	
11	AT161020	Ring Indicator Gear	1	1	1	1	1	1	1	1	
12	AZ161011	Tube Assembly Gas Control Lt	1	1	1	1	1	1	1	1	
13	24191101	Pulley Gas Control	1	1	1	1	1	1	1	1	
14	CM191049	Spring Clip	1	1	1	1	1	1	1	1	
15	39094111	Plain Washer	2	2	2	2	2	2	2	2	
16	LHC00001	Pin Spring Gear Cotr.Tube-Di	1	1	1	1	1	1	1	1	

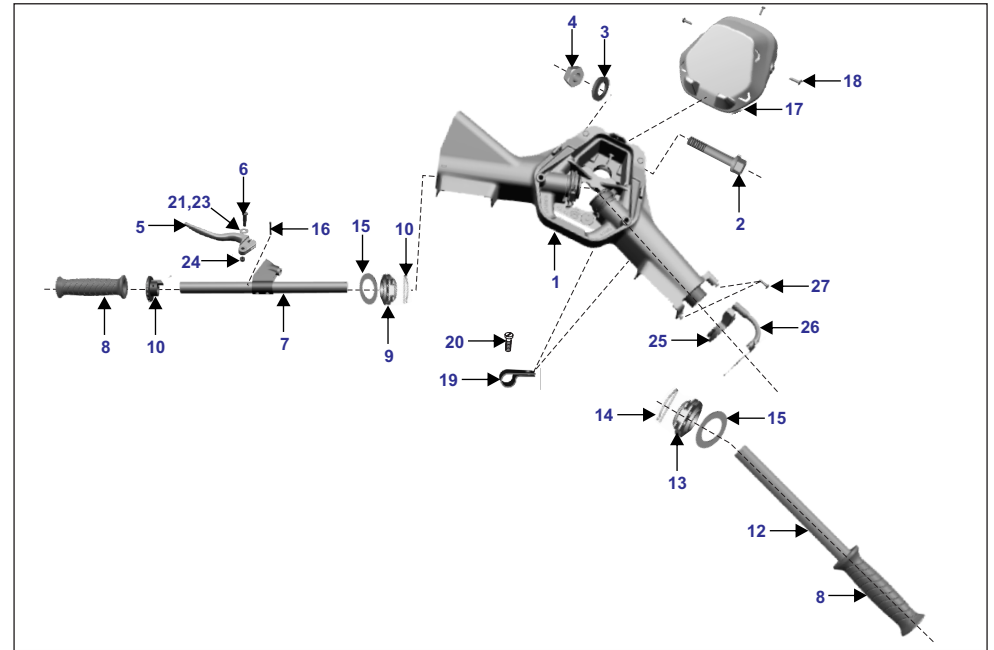
AU - RE PET
AF - RE CNG
AM - RE LPG

AZ - Maxima Z CNG
RA - Maxima ZLPG

AT - Maxima XWIDE CNG
AT1 - Maxima XWIDE LPG
AN - Maxima C CNG

PLATE NO. 53: HANDLE BAR

ALTERNATE FUEL
MF & BF OBD2B

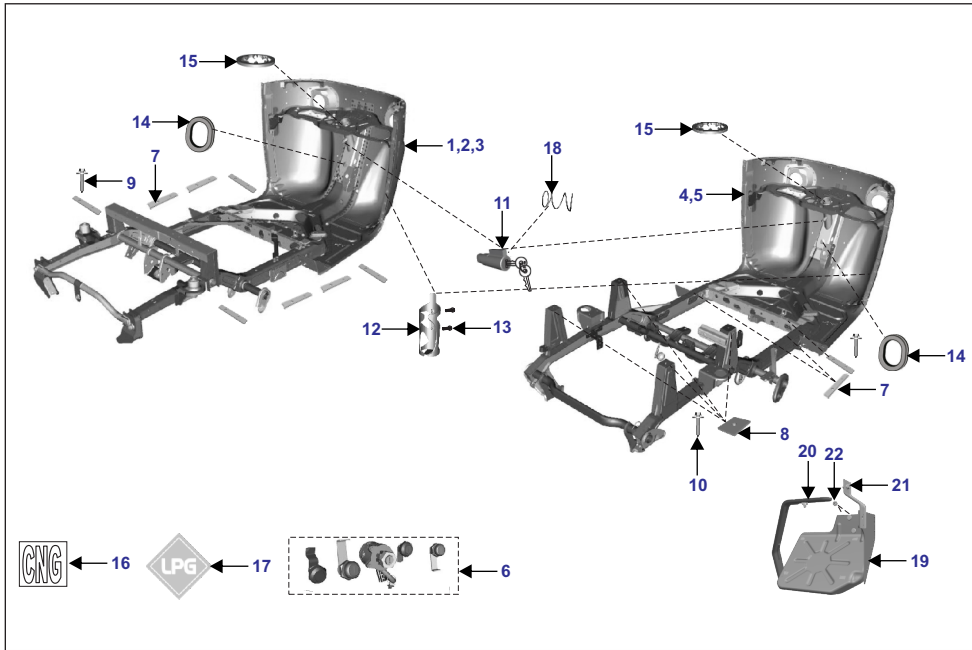


No.	Part No.	Description	RE			Z		XWIDE		C	Remarks
			AU	AF	AM	AZ	RA	AT	AT1	AN	
17	AF181047	Cover Handlebar Lt	1	1	1	1	1	1	1	1	
18	LBU00234	Screw Truss M4X0.7	3	3	3	3	3	3	3	3	
19	AL201070	Clip P For New Control Switch	2	2	2	2	2	2	2	2	
20	KBBC0508	Screw Pan Cross- Bi Fuel	2	2	2	2	2	2	2	2	
21	1190205	Washer Spring	1	1	1	1	1	1	1	1	
22	3190204	Washer Plain	1	1	1	1	1	1	1	1	
23	3190206	Washer Plain	1	1	1	1	1	1	1	1	
24	39032615	Nut Nyloc M5X0.8	1	1	1	1	1	1	1	1	
25	AZ151071	Lever Reverse	1	1	1	1	1	1	1	1	
26	AZ151072	Bracket Assly Lever Reverse	1	1	1	1	1	1	1	1	
27	KBBA0406	Screw Pan Cross M4X0.7	2	2	2	2	2	2	2	2	

AU - RE PET
AF - RE CNG
AM - RE LPG

AZ - Maxima Z CNG
RA - Maxima ZLPG

AT - Maxima XWIDE CNG
AT1 - Maxima XWIDE LPG
AN - Maxima C CNG

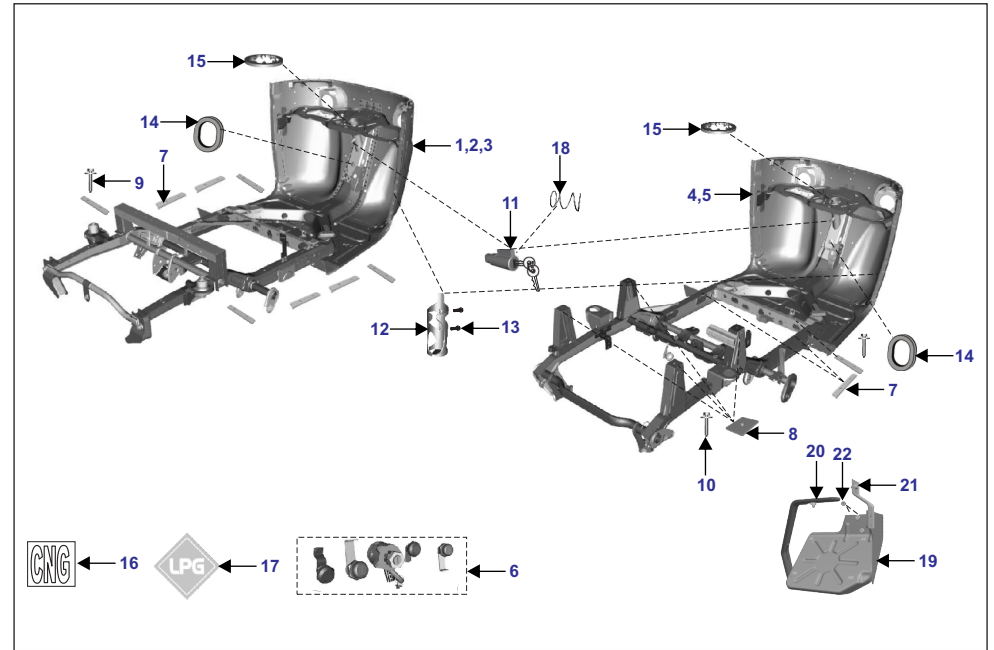


No.	Part No.	Description	RE		Z		XWIDE		C	Remarks
			AU	AF	AM	AZ	RA	AT	AT1	
1	52AU0409	Ed Coated Assly Chassis Bare	1	-	-	-	-	-	-	
2	52AF1129	Ed Coated Assly Chassis Bare	-	1	-	-	-	-	-	
3	52AM0482	Ed Coated Assly Chassis Bare	-	-	1	-	-	-	-	
4	52AZ0637	Ed Coated Assly Chassis Bare	-	-	-	1	-	-	-	
5	52RA0276	Ed Coated Assly Chassis Bare	-	-	-	-	1	-	-	
6	AF181077	Set Lock	1	1	1	-	-	-	-	
6	AZ232612	Set Lock	-	-	-	1	1	-	-	
7	24231726	Packing	8	8	8	-	-	-	-	
7	24231336	Packing For Body	-	-	-	3	3	-	-	
8	AL161392	Packing	-	-	-	6	6	-	-	
9	AA231245	Bolt Combination	8	8	8	-	-	-	-	
10	BH211077	Bolt Hex With Flange	-	-	-	10	10	-	-	
11	36244042	Steering Lock With Key	1	1	1	1	1	-	-	
12	24161446	Water Bottle Holder	1	1	1	1	1	-	-	
13	KBBC0614	Screw Pan Cross	2	2	2	-	-	-	-	
13	KBBC0516	Screw Pan Cross	-	-	-	2	2	-	-	

AU - RE PET
AF - RE CNG
AM - RE LPG

AZ - Maxima Z CNG
RA - Maxima ZLPG

AT - Maxima XWIDE CNG
AT1 - Maxima XWIDE LPG
AN - Maxima C CNG

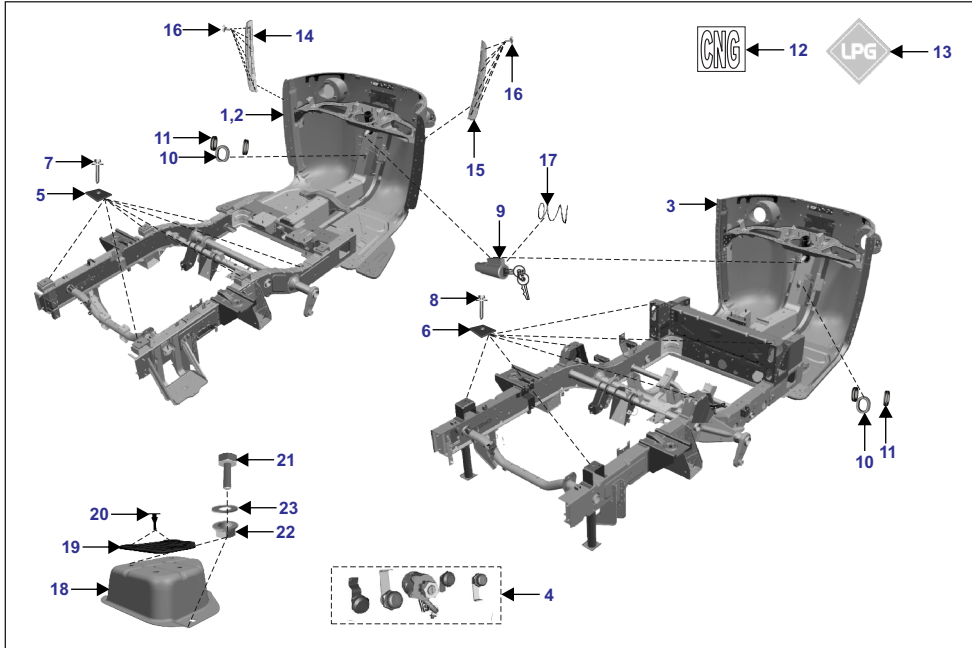


No.	Part No.	Description	RE		Z		XWIDE		C	Remarks
			AU	AF	AM	AZ	RA	AT	AT1	
14	AZ161009	Grommet	1	1	1	1	1	-	-	
15	LDF00001	Washer - Lock Toothed	2	2	2	2	2	-	-	
16	AF161024	Label Cng	-	1	-	1	-	-	-	
17	AM161020	Label Lpg	-	-	1	-	1	-	-	
18	6180303	Spring	1	1	1	1	1	-	-	
19	AZ111166	Panel Assembly Deflector	-	-	-	1	1	-	-	
20	AZ111174	Support Deflector Front	-	-	-	1	1	-	-	
21	KADA0612	Bolt Flanged	-	-	-	2	2	-	-	
22	KCGA0606	Nut Hex Flanged	-	-	-	3	3	-	-	

AU - RE PET
AF - RE CNG
AM - RE LPG

AZ - Maxima Z CNG
RA - Maxima ZLPG

AT - Maxima XWIDE CNG
AT1 - Maxima XWIDE LPG
AN - Maxima C CNG

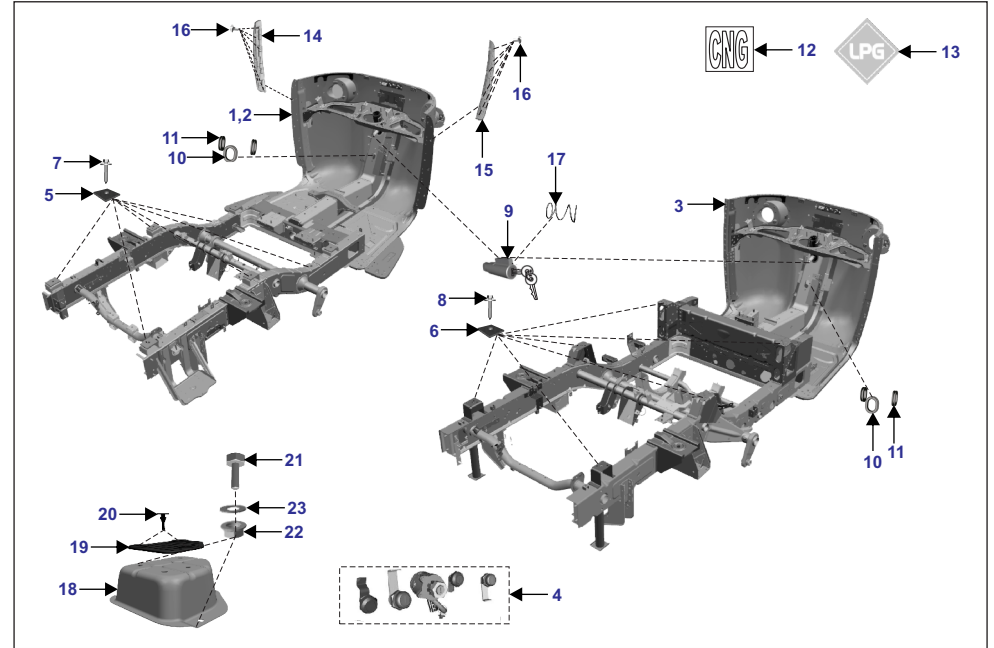


No.	Part No.	Description	RE			Z		XWIDE		C	Remarks
			AU	AF	AM	AZ	RA	AT	AT1	AN	
1	52AT0558	Ed Coated Assly Chassis Bare	-	-	-	-	-	1	-	-	
2	52AT0559	Ed Coated Assly Chassis Bare	-	-	-	-	-	-	1	-	
3	52AN0765	Ed Coated Assly Chassis Bare	-	-	-	-	-	-	-	1	
4	AT232607	Lock Set	-	-	-	-	-	1	1	-	
4	AN181027	Set Lock Lt	-	-	-	-	-	-	-	1	
5	AL161069	Packing-Chassis & Tray Frame	-	-	-	-	-	6	6	-	
6	AL241769	Packing Ballata	-	-	-	-	-	-	-	6	
7	AA231245	Bolt Combination	-	-	-	-	-	4	4	-	
8	AL241784	Bolt Combination Tray	-	-	-	-	-	-	-	6	
9	36BB0029	Steering Lock With Key	-	-	-	-	-	1	1	-	
9	36244042	Steering Lock With Key	-	-	-	-	-	-	-	1	
10	AT161012	Grommet	-	-	-	-	-	1	1	1	
11	24165169	Grommet	-	-	-	-	-	2	2	2	
12	AF161024	Label Cng	-	-	-	-	-	1	-	1	
13	AM161020	Label Lpg	-	-	-	-	-	-	1	-	
14	52AT0091	Fascia Front Btm LH Green	-	-	-	-	-	1	-	-	
14	52AT0085	Fascia Front Btm LH Yellow	-	-	-	-	-	1	-	-	
14	52AT0087	Fascia Front Btm LH Black	-	-	-	-	-	1	-	-	

AU - RE PET
AF - RE CNG
AM - RE LPG

AZ - Maxima Z CNG
RA - Maxima ZLPG

AT - Maxima XWIDE CNG
AT1 - Maxima XWIDE LPG
AN - Maxima C CNG



No.	Part No.	Description	RE			Z		XWIDE		C	Remarks
			AU	AF	AM	AZ	RA	AT	AT1	AN	
14	52AT0089	Fascia Front Btm LH White	-	-	-	-	-	1	-	-	
14	52AT0093	Fascia Front Btm LH Green	-	-	-	-	-	1	-	-	
14	52AT0095	Front Bottom LH Red	-	-	-	-	-	1	-	-	
15	52AT0092	Fascia Front Btm RH Green	-	-	-	-	-	1	-	-	
15	52AT0086	Fascia Front Btm RH Yellow	-	-	-	-	-	1	-	-	
15	52AT0088	Fascia Front Btm RH Black	-	-	-	-	-	1	-	-	
15	52AT0090	Fascia Front Btm RH White	-	-	-	-	-	1	-	-	
15	52AT0094	Fascia Front Btm RH Green	-	-	-	-	-	1	-	-	
15	52AT0096	Front Bottom RH Red	-	-	-	-	-	1	-	-	
16	KBUA0510	Screw Truss	-	-	-	-	-	14	-	-	
17	6180303	Spring	-	-	-	-	-	1	1	1	
18	AH111204	Footrest	-	-	-	-	-	1	1	1	
19	AH231800	Mat Footrest	-	-	-	-	-	1	1	1	
20	BB231271	Plug Mat Fixing	-	-	-	-	-	3	3	3	
21	KADD0614	Bolt Flanged	-	-	-	-	-	2	2	2	
22	KCGD0606	Nut Hex Flanged	-	-	-	-	-	3	3	3	
23	KDAA0816	Washer_Plain_Small	-	-	-	-	-	3	3	3	

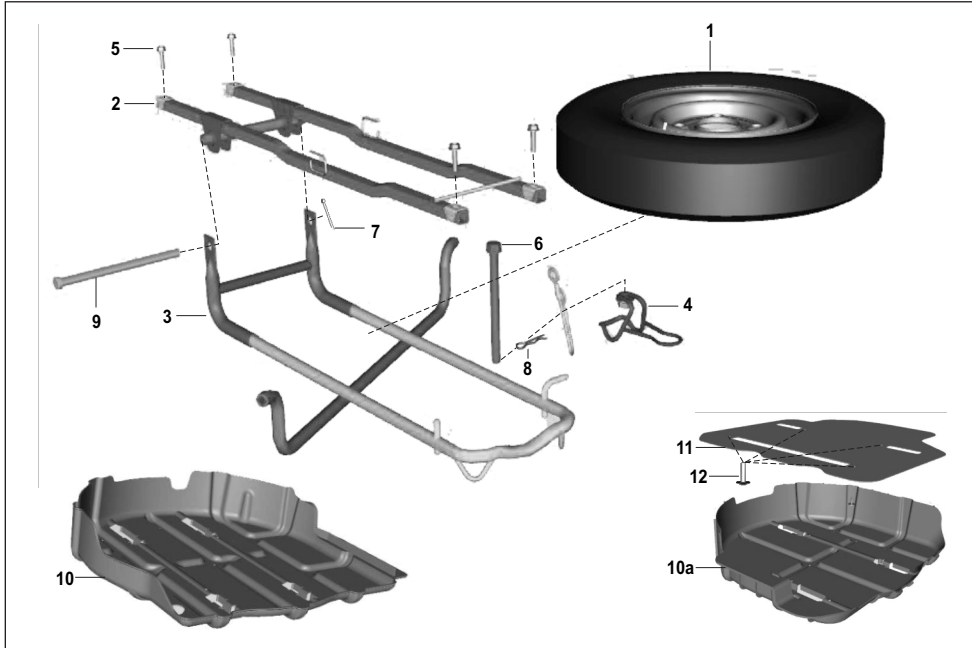
AU - RE PET
AF - RE CNG
AM - RE LPG

AZ - Maxima Z CNG
RA - Maxima ZLPG

AT - Maxima XWIDE CNG
AT1 - Maxima XWIDE LPG
AN - Maxima C CNG

PLATE NO. 55: SPARE WHEEL

ALTERNATE FUEL
MF & BF OBD2B



No.	Part No.	Description	RE			Z		XWIDE		C	Remarks
			AU	AF	AM	AZ	RA	AT	AT1	AN	
1	BH131028	Wheel Assembly	-	-	-	1	1	-	-	-	
1	AT131010	Wheel 3.00Bx12H2	-	-	-	-	-	1	1	1	
2	AZ131005	Assly Cross Mbr Sp Wh Mtg Ug	-	-	-	1	1	-	-	-	
2	AT131407	Assly Cross Mbr Sp Wh Mtg	-	-	-	-	-	1	1	-	
3	AZ131415	Cradle Assly Wheel Spare	-	-	-	1	1	-	-	-	
3	AT131401	Cradle Assly-Spare Wheel Mtg	-	-	-	-	-	1	1	-	
4	AZ131404	Hook Cr. Locking Sp Wh Mtg	-	-	-	1	1	-	-	-	
4	AT131416	Hook Cr. Locking Spare Wh Mtg	-	-	-	-	-	1	1	-	
5	KADD0630	Bolt Flanged	-	-	-	4	4	-	-	-	
5	KADA0635	Bolt Flanged	-	-	-	-	-	4	4	-	
6	LAD00178	Bolt Flange-M10	-	-	-	1	1	-	-	-	
6	LAD00188	Bolt Flange	-	-	-	-	-	1	1	-	
7	KHAE3220	Pin Cotter	-	-	-	1	1	-	-	-	
7	KHAA3228	Pin Cotter	-	-	-	-	-	1	1	-	
8	KHBA0828	Pin Snap	-	-	-	1	1	1	1	-	
9	AZ131403	Pivot Pin	-	-	-	1	1	-	-	-	
9	LHE00004	Pin Clevis With Hole	-	-	-	-	-	1	1	-	
10	AZ131416	Cover Wheel Spare	-	-	-	1	1	-	-	-	
10a	AT131419	Cover Wheel Spare	-	-	-	-	-	1	1	-	
11	AT131422	Cover Wheel Spare Top	-	-	-	-	-	1	1	-	
12	24231630	Screw	-	-	-	4	4	4	4	-	

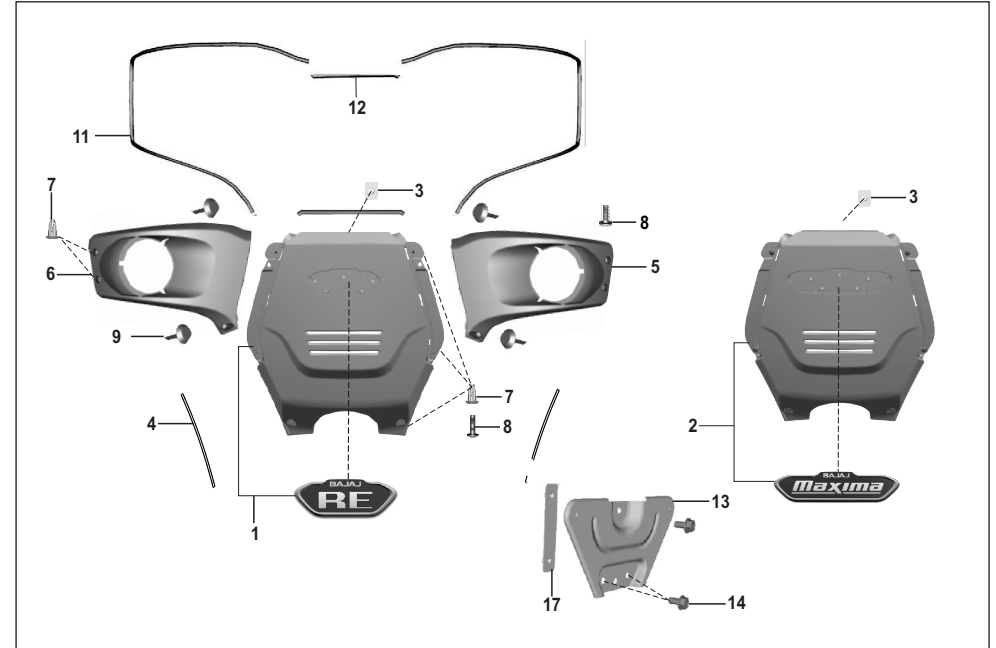
AU - RE PET
AF - RE CNG
AM - RE LPG

AZ - Maxima Z CNG
RA - Maxima ZLPG

AT - Maxima XWIDE CNG
AT1 - Maxima XWIDE LPG
AN - Maxima C CNG

PLATE NO. 56: STEERING COVER

ALTERNATE FUEL
MF & BF OBD2B

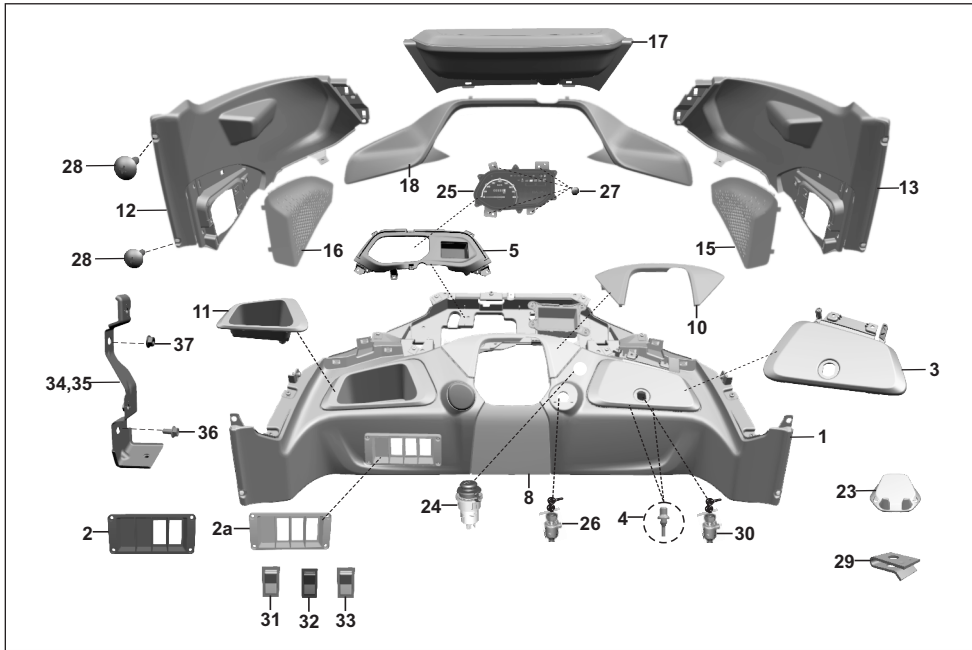


No.	Part No.	Description	RE			Z		XWIDE		C	Remarks
			AU	AF	AM	AZ	RA	AT	AT1	AN	
1	AF161770	Assembly Steering Cover	1	1	1	-	-	-	-	-	
2	AZ185011	Assembly Cover Steering	-	-	-	1	1	1	1	1	
3	24165214	Grommet Steering Cover	1	1	1	1	1	1	1	1	
4	AA161270	Beading St. Cover Lower	2	2	2	2	2	2	2	2	
5	AA161190	Housing Headlamp LH	1	1	1	1	1	-	-	-	
5	BB161096	Housing Headlamp LH	-	-	-	-	-	1	1	1	
6	AA161191	Housing Headlamp RH	1	1	1	1	1	-	-	-	
6	BB161097	Housing Headlamp RH	-	-	-	-	-	1	1	1	
7	AL161236	Plug For Blinker Housing	10	10	10	10	10	10	10	10	
8	39177102	Screw-Tapping	10	10	10	10	10	10	10	10	
9	BH111088	Grommet Shield Headlamp Bkt	-	-	-	-	-	4	4	-	
11	AA161268	Beading Housing H.L.	2	2	2	2	2	2	2	2	
12	AA161269	Beading St.Cover Upper	1	1	1	1	1	1	1	1	
13	AA231456	Bracket Plate Number	1	1	1	1	1	1	1	1	
14	LAG00007	Bolt Wp M6X1	2	2	2	2	2	2	2	2	

AU - RE PET
AF - RE CNG
AM - RE LPG

AZ - Maxima Z CNG
RA - Maxima ZLPG

AT - Maxima XWIDE CNG
AT1 - Maxima XWIDE LPG
AN - Maxima C CNG

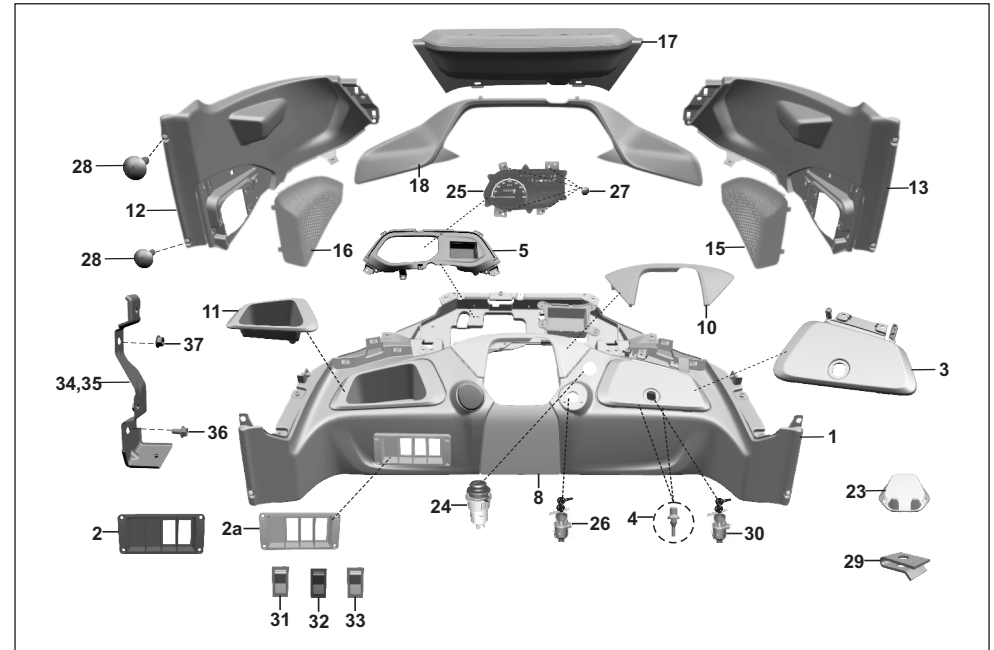


No.	Part No.	Description	RE		Z		XWIDE		C	Remarks	
			AU	AF	AM	AZ	RA	AT	AT1		AN
1	52AF0658	Assly Dashboard_Brown	1	1	1	1	1	1	1	-	
1	52AN0626	Assly Dashboard Cargo	-	-	-	-	-	-	-	1	
2	24161492	Cover Switch	1	-	-	-	-	-	-	-	
2a	AF161885	Cover Switch	-	1	1	1	1	1	1	1	
3	AF161523	Lid Box Glove	1	1	1	1	1	1	1	1	
4	24230198	Damper	2	2	2	2	2	2	2	2	
5	AF161758	Cover Assly Speedometer	1	1	1	1	1	1	1	1	
6	KBBC0408	Screw Pan Cross	4	4	4	4	4	4	4	4	NI
7	JG171031	Nut Clip M5	11	11	11	11	11	11	11	11	NI
8	52AF0666	Cover Assy D. board Lower	1	1	1	1	1	1	1	1	(Muddy Brown)
9	KCGA0505	Nut Hex Flanged	4	4	4	4	4	4	4	4	NI
10	52AF0667	Cover Assy D. board Upper	1	1	1	1	1	1	1	1	(Muddy Brown)
11	AF161732	Box Utility	1	1	1	1	1	1	1	1	
12	AF161554	Trim Assembly Upper LH	1	1	1	1	1	1	1	1	
13	AF161555	Trim Assembly Upper RH	1	1	1	1	1	1	1	1	
14	AH185012	Clip	2	2	2	2	2	2	2	2	NI

AU - RE PET
AF - RE CNG
AM - RE LPG

AZ - Maxima Z CNG
RA - Maxima ZLPG

AT - Maxima XWIDE CNG
AT1 - Maxima XWIDE LPG
AN - Maxima C CNG

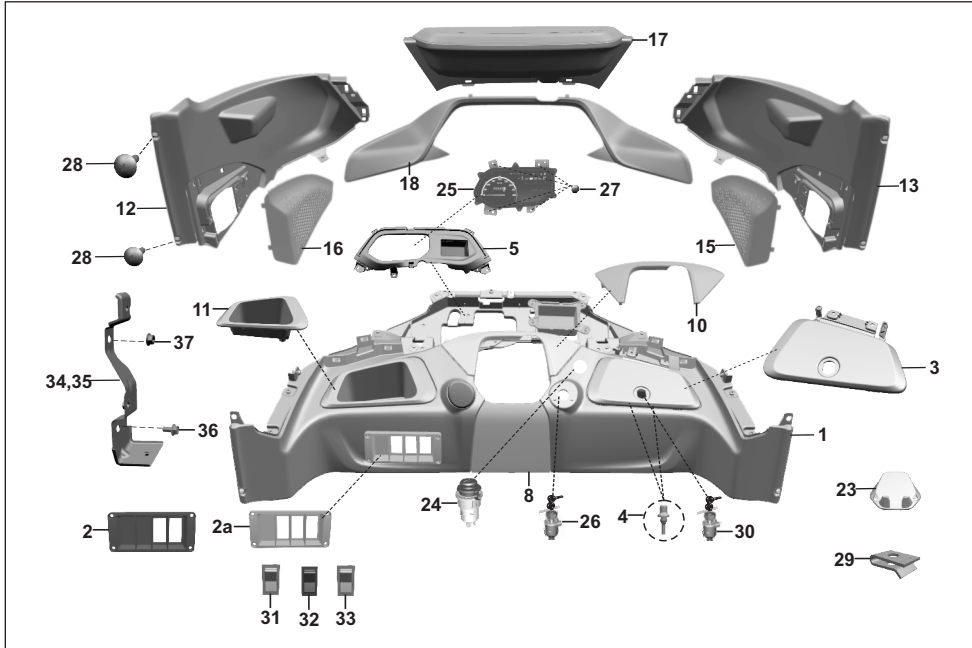


No.	Part No.	Description	RE		Z		XWIDE		C	Remarks	
			AU	AF	AM	AZ	RA	AT	AT1		AN
15	AF161583	Cover Assembly Speaker RH	1	1	1	1	1	1	1	1	
16	AF161582	Cover Assembly Speaker LH	1	1	1	1	1	1	1	1	
17	AF161556	Trim Assembly Middle	1	1	1	1	1	1	1	1	
18	AF161581	Trim Assembly Speedometer	1	1	1	1	1	1	1	1	
19	BF182011	Metallic Tower Clip	24	24	24	24	24	24	24	24	NI
20	KDBB0512	Washer_Plain	12	12	12	12	12	12	12	12	NI
21	KBBC0514	Screw Pan Cross	23	23	23	23	23	23	23	23	NI
22	LBU00234	Screw Truss	3	3	3	3	3	3	3	3	NI
23	AF181047	Cover Handlebar	1	1	1	1	1	1	1	1	
24	AF201464	Socket Charger	1	1	1	1	1	1	1	1	
25	AA191194	Instrument Cluster PET	1	-	-	-	-	-	-	-	
25	AT402450	Instrument Cluster CNG	-	1	-	1	-	1	-	-	
25	AT402449	Instrument Cluster LPG	-	-	1	-	1	-	1	-	
25	AT402446	Instrument Cluster C CNG	-	-	-	-	-	-	-	1	
26	36AF0076	Ignition Lock With Key	1	1	1	1	1	1	1	1	
27	KBBA0414	Screw Pan Cross M4X0.7	4	4	4	4	4	4	4	4	

AU - RE PET
AF - RE CNG
AM - RE LPG

AZ - Maxima Z CNG
RA - Maxima ZLPG

AT - Maxima XWIDE CNG
AT1 - Maxima XWIDE LPG
AN - Maxima C CNG



No.	Part No.	Description	RE			Z		XWIDE		C	Remarks
			AU	AF	AM	AZ	RA	AT	AT1	AN	
28	KBUC0520	Screw Truss M5X0.8	6	6	6	6	6	6	6	6	
29	CE181015	Nut Clip	3	3	3	3	3	3	3	3	
30	36AL0016	Lock Stereo Lid	1	1	1	1	1	1	1	1	
31	AL201031	Switch	1	1	1	1	1	1	1	1	
32	AB201077	Switch Hazard Warning	1	1	1	1	1	1	1	1	
33	AF201298	Switch Selector Fuel- CNG	-	1	-	1	-	1	-	1	
33	AM201225	Switch Selector Fuel- LPG	-	-	1	-	1	-	1	-	
34	AF161839	Bracket Dashboard Front RH	1	1	1	1	1	1	1	1	
35	AF161838	Bracket Dashboard Front LH	1	1	1	1	1	1	1	1	
36	KADA0612	Bolt Flanged	2	2	2	2	2	2	2	2	
37	KCGD0606	Nut Hex Flanged	2	2	2	2	2	2	2	2	
38	52AF1002	Set Of Trims Muddy Brown	1	1	1	1	1	1	1	-	
39	52AN0699	Set Of Trims _Muddy Brown	-	-	-	-	-	-	-	1	

AU - RE PET
AF - RE CNG
AM - RE LPG

AZ - Maxima Z CNG
RA - Maxima ZLPG

AT - Maxima XWIDE CNG
AT1 - Maxima XWIDE LPG
AN - Maxima C CNG

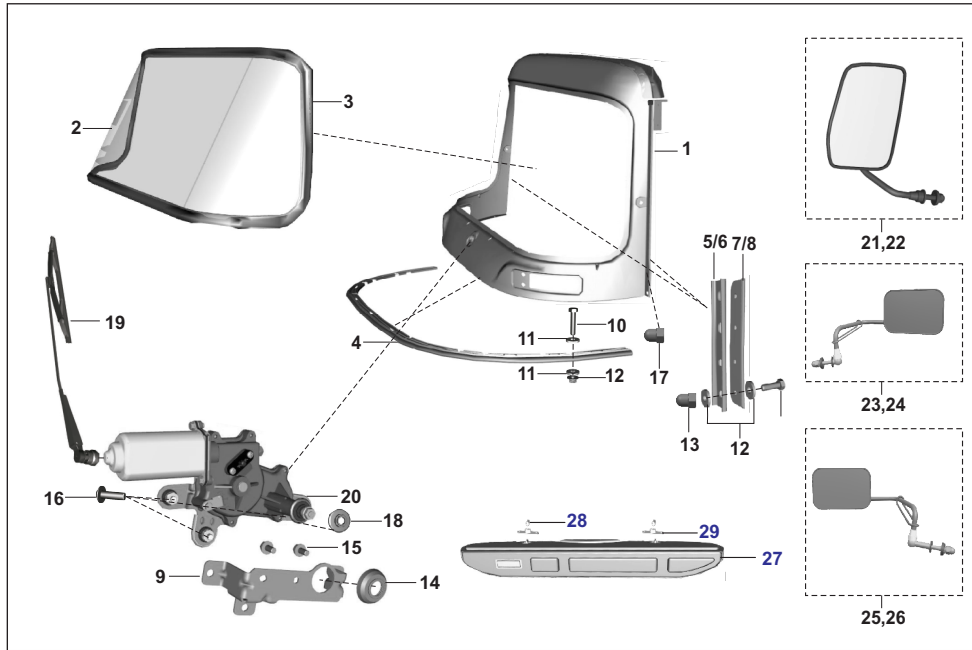


No.	Part No.	Description	RE			Z		XWIDE		C	Remarks
			AU	AF	AM	AZ	RA	AT	AT1	AN	

AU - RE PET
AF - RE CNG
AM - RE LPG

AZ - Maxima Z CNG
RA - Maxima ZLPG

AT - Maxima XWIDE CNG
AT1 - Maxima XWIDE LPG
AN - Maxima C CNG

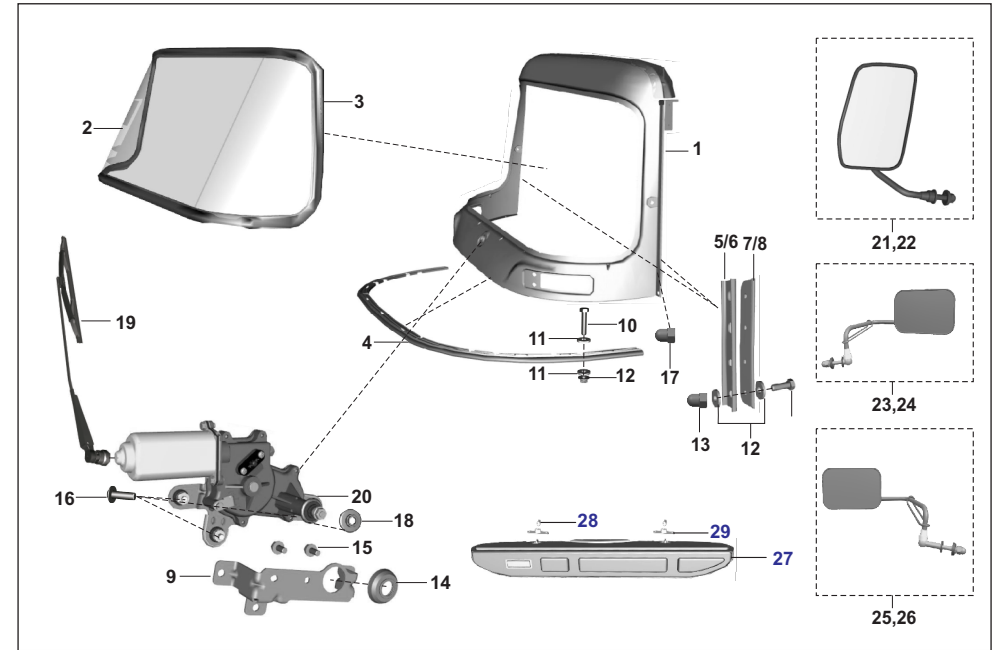


No.	Part No.	Description	RE		Z		XWIDE		C	Remarks
			AU	AF	AM	AZ	RA	AT	AT1	
1	52BH0419	Frame Assembly Windshield	1	1	1	1	1	1	1	(AA231521)
2	BH184000	Glass green windshield onepiece	1	1	1	1	1	1	1	
3	AA231239	Beading one piece w/s glass	1	1	1	1	1	1	1	
4	24231641	Packing for shield & windshield	1	1	1	1	1	1	1	
5	24231615	Joint plate LH	1	1	1	1	1	1	-	
6	24231616	Joint plate RH	1	1	1	1	1	1	-	
7	AF161296	Bracket LH	1	1	1	1	-	-	-	
7	BB231449	Bracket Hood Front LH	-	-	-	-	1	1	-	
8	AF161297	Bracket RH	1	1	1	1	-	-	-	
8	BB231450	Bracket Hood Front RH	-	-	-	-	1	1	-	
9	24231625	Bracket wiper motor mounting	1	1	1	1	1	1	1	
10	KAAA0525	Bolt	11	11	11	11	11	11	11	
11	39025811	Plain washer	32	32	32	32	32	32	32	
12	KCGA0505	Nut hex flanged	11	11	11	11	11	11	11	
13	KCEA0504	Nut Domed Cap Single Piece	8	8	8	8	8	8	-	
14	BH111071	Cap for wiper motor	1	1	1	1	1	1	1	
15	KADA0612	Bolt flanged	2	2	2	2	2	2	2	

AU - RE PET
AF - RE CNG
AM - RE LPG

AZ - Maxima Z CNG
RA - Maxima ZLPG

AT - Maxima XWIDE CNG
AT1 - Maxima XWIDE LPG
AN - Maxima C CNG

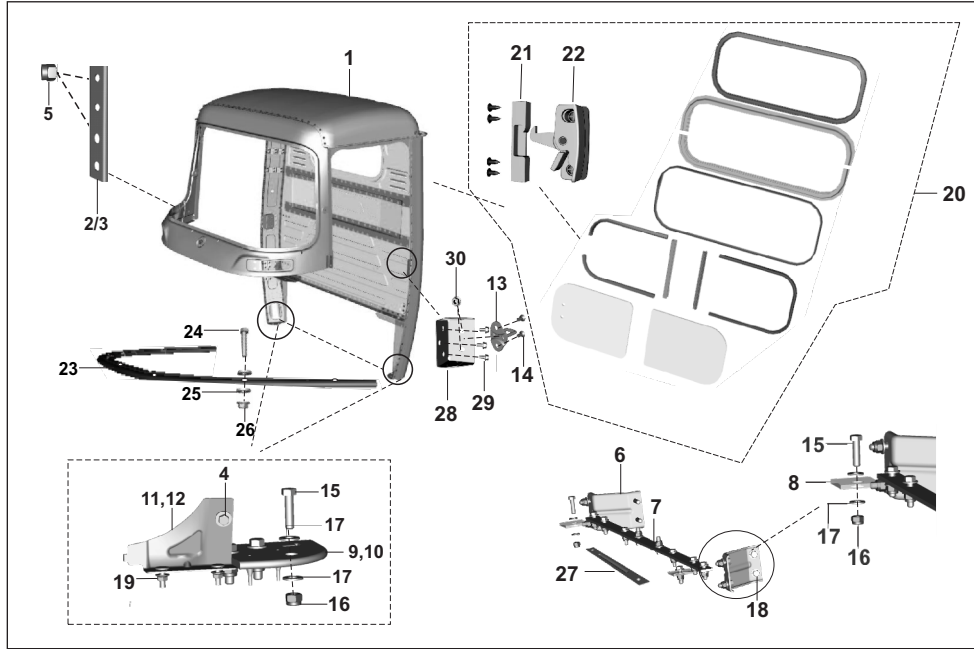


No.	Part No.	Description	RE		Z		XWIDE		C	Remarks
			AU	AF	AM	AZ	RA	AT	AT1	
16	LBU00134	Screw Button Head M6X1	3	3	3	3	3	3	3	
17	KCEC0504	Nut Domed Cap Single Piece	2	2	2	2	2	2	2	
18	24201525	Grommet wiper motor big	1	1	1	1	1	1	1	
19	AL241023	Wiper assly	1	1	1	1	1	1	1	
20	AA201263	Wiper Motor	1	1	1	1	1	1	1	
21	AA221043	Mirror RH	1	1	1	-	-	-	-	
22	AA221042	Mirror LH	1	1	1	-	-	-	-	
23	BB221018	Mirror RH	-	-	-	1	1	-	-	1
24	BB221017	Mirror LH	-	-	-	1	1	-	-	1
25	AT184602	Mirror Assembly-LH	-	-	-	-	-	1	1	-
26	AT184601	Mirror Assembly-RH	-	-	-	-	-	1	1	-
27	24231699	Box Assembly Utility	1	1	1	-	-	-	-	
28	24231522	Lock - I :- Utility Box	2	2	2	-	-	-	-	
29	24231523	Lock - II :- Utility Box	2	2	2	-	-	-	-	

AU - RE PET
AF - RE CNG
AM - RE LPG

AZ - Maxima Z CNG
RA - Maxima ZLPG

AT - Maxima XWIDE CNG
AT1 - Maxima XWIDE LPG
AN - Maxima C CNG

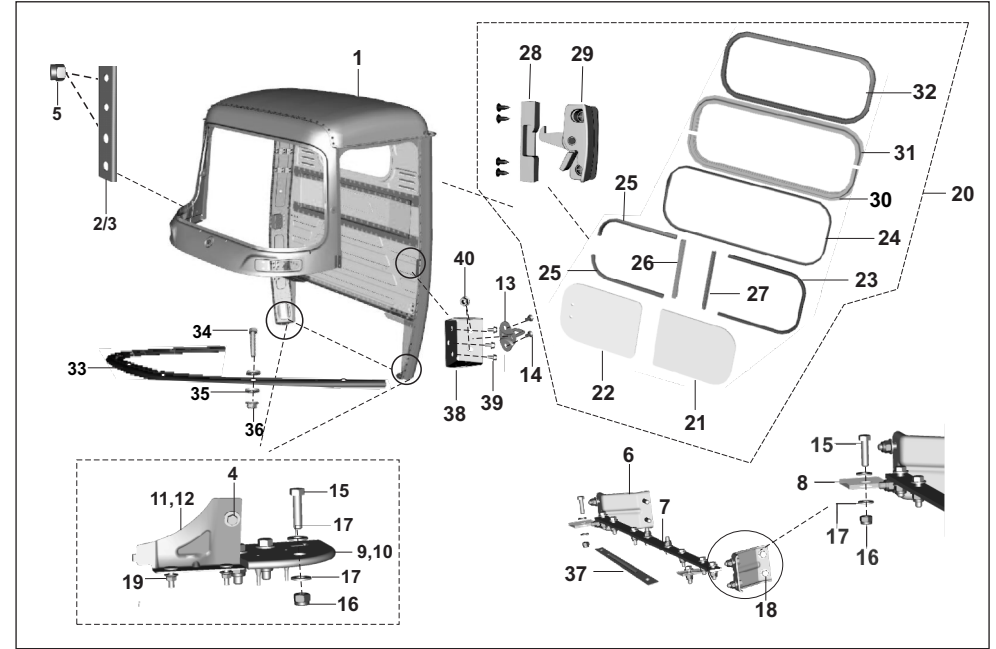


No.	Part No.	Description	RE		Z		XWIDE		C	Remarks
			AU	AF	AM	AZ	RA	AT	AT1	
1	52AL0393	Cabin Assembly	-	-	-	-	-	-	1	
2	AL241445	Joint plate LH	-	-	-	-	-	-	1	
3	AL241446	Joint plate RH	-	-	-	-	-	-	1	
4	KAAA0518	Bolt	-	-	-	-	-	-	2	
5	KCHA0507	Nyloc nut	-	-	-	-	-	-	4	
6	AL161661	Panel connecting	-	-	-	-	-	-	2	
7	AL241578	Packing upper cabin	-	-	-	-	-	-	1	
8	AL241697	Packing cabin	-	-	-	-	-	-	2	
9	AL241577	Rubber packing LH	-	-	-	-	-	-	1	
10	AL241679	Rubber packing RH	-	-	-	-	-	-	1	
11	AL161705	Extension panel sill outer LH	-	-	-	-	-	-	1	
12	AL161706	Extension panel sill outer RH	-	-	-	-	-	-	1	
13	AL241344	Latch striker door	-	-	-	-	-	-	2	
14	KBCA0816	Screw csk - cross	-	-	-	-	-	-	4	
15	KAAA0830	Bolt	-	-	-	-	-	-	13	
16	KCHA0809	Nut nyloc	-	-	-	-	-	-	17	
17	KDBB0818	Washer plain	-	-	-	-	-	-	40	
18	KAAA0825	Bolt	-	-	-	-	-	-	8	
19	KCGA0505	Nut Hex Flanged	-	-	-	-	-	-	4	
20	AL241873	Window Assembly Rear	-	-	-	-	-	-	1	

AU - RE PET
AF - RE CNG
AM - RE LPG

AZ - Maxima Z CNG
RA - Maxima ZLPG

AT - Maxima XWIDE CNG
AT1 - Maxima XWIDE LPG
AN - Maxima C CNG

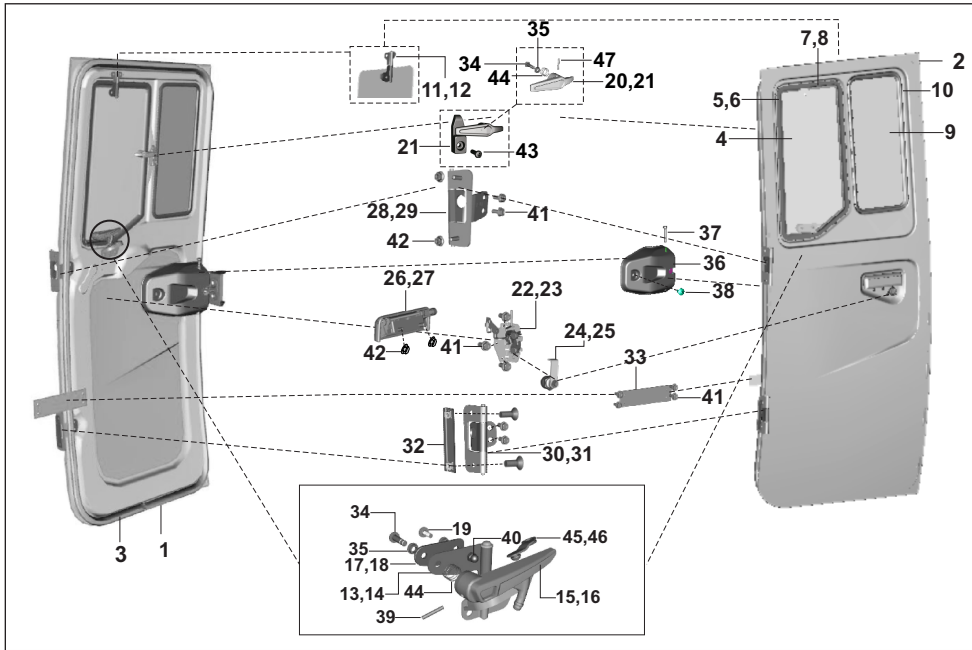


No.	Part No.	Description	RE		Z		XWIDE		C	Remarks
			AU	AF	AM	AZ	RA	AT	AT1	
21	AL241817	Catch Plate - Sliding Glass Latch	-	-	-	-	-	-	1	
22	AL241811	Assly Latch-sliding Glass Window	-	-	-	-	-	-	1	
23	24231641	Packing shield and w shield	-	-	-	-	-	-	1	
24	KAAA0525	Bolt	-	-	-	-	-	-	11	
25	39025811	Plain washer	-	-	-	-	-	-	30	
26	KCGA0505	Flange nut	-	-	-	-	-	-	11	
27	AL161744	Plate nut cabin mtg	-	-	-	-	-	-	1	
28	AL241761	Bracket Striker MTG	-	-	-	-	-	-	2	
29	KADA0612	Bolts	-	-	-	-	-	-	3	
30	KCGF0808	NUT - Latch stiker	-	-	-	-	-	-	2	

AU - RE PET
AF - RE CNG
AM - RE LPG

AZ - Maxima Z CNG
RA - Maxima ZLPG

AT - Maxima XWIDE CNG
AT1 - Maxima XWIDE LPG
AN - Maxima C CNG

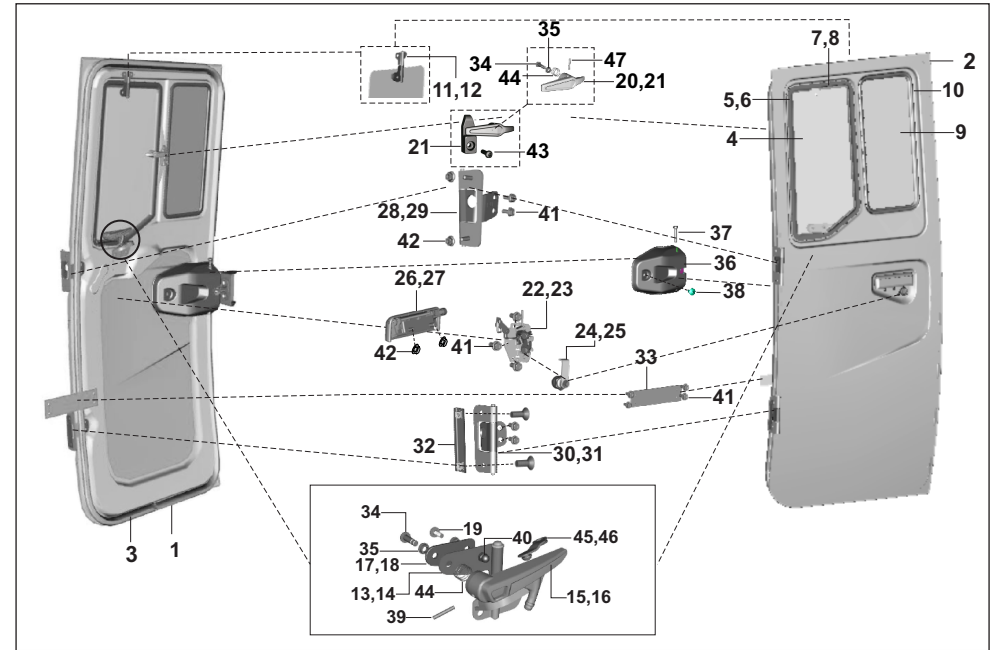


No.	Part No.	Description	RE			Z		XWIDE		C	Remarks
			AU	AF	AM	AZ	RA	AT	AT1	AN	
1	52AL0392	Assly Door RH AL241596	-	-	-	-	-	-	-	1	
2	52AL0395	Assly Door LH AL241597	-	-	-	-	-	-	-	1	
3	AL241442	Beading Door	-	-	-	-	-	-	-	2	
4	AL241693	Glass Swivel	-	-	-	-	-	-	-	2	
5	AL241690	Beading Front RH Sw Glass	-	-	-	-	-	-	-	1	
6	AL241689	Beading Front LH Sw Glass	-	-	-	-	-	-	-	1	
7	AL241692	Beading Rear RH Sw Glass	-	-	-	-	-	-	-	1	
8	AL241691	Beading Rear LH Sw Glass	-	-	-	-	-	-	-	1	
9	AL241696	Glass Fixed Cargo	-	-	-	-	-	-	-	2	
10	AL241695	Beading Fixed Glass	-	-	-	-	-	-	-	2	
11	AL241482	Assly Hinge Upper RH-Glass Sw	-	-	-	-	-	-	-	1	
12	AL241455	Assly Hinge Upper LH -Glass Sw	-	-	-	-	-	-	-	1	
13	AL241474	Hinge Assy Lower RH-Glass Sw	-	-	-	-	-	-	-	1	
14	AL241456	Assly Hinge Lower LH-Glass Sw	-	-	-	-	-	-	-	1	
15	AL241465	Handle RH-Glass Swivel	-	-	-	-	-	-	-	1	
16	AL241457	Handle LH For Glass Swivel	-	-	-	-	-	-	-	1	
17	AL241477	Spacer For Hinge Assly Lower	-	-	-	-	-	-	-	2	

AU - RE PET
AF - RE CNG
AM - RE LPG

AZ - Maxima Z CNG
RA - Maxima ZLPG

AT - Maxima XWIDE CNG
AT1 - Maxima XWIDE LPG
AN - Maxima C CNG

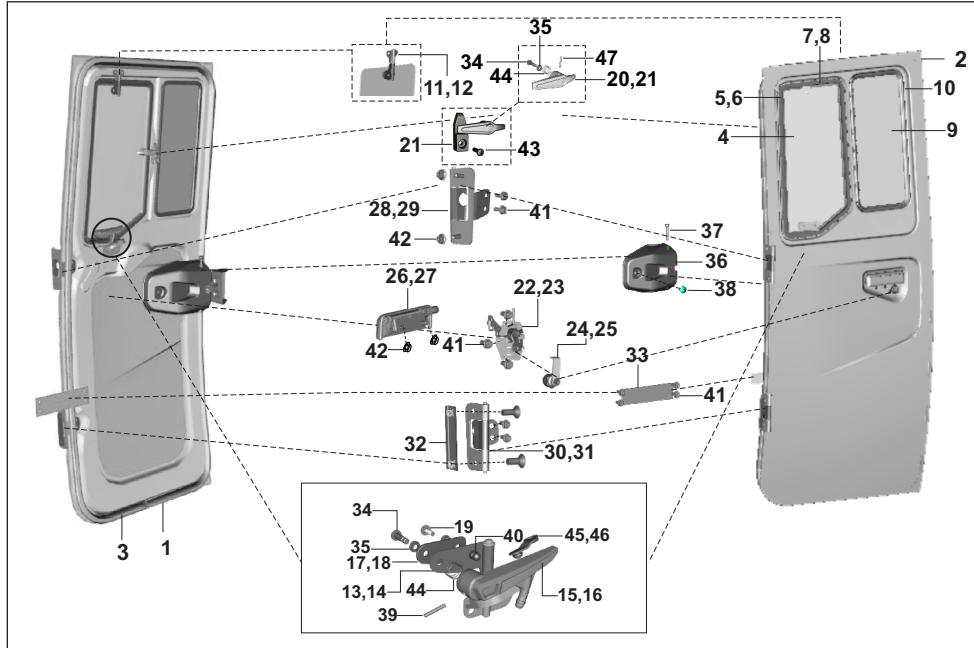


No.	Part No.	Description	RE			Z		XWIDE		C	Remarks
			AU	AF	AM	AZ	RA	AT	AT1	AN	
18	AL241478	Spacer For Hinge Assly Upper	-	-	-	-	-	-	-	2	
19	39190701	Mushroom Head Screw	-	-	-	-	-	-	-	4	
20	AL241774	Lever Glass Lock	-	-	-	-	-	-	-	1	
21	AL241775	Lock Glass	-	-	-	-	-	-	-	2	
22	AL241701	Latch Mechanism RH	-	-	-	-	-	-	-	1	
23	AL241700	Latch Mechanism LH	-	-	-	-	-	-	-	1	
24	36AL0045	Lock RH For Door With Key	-	-	-	-	-	-	-	1	(AL181043)
25	36AL0044	Lock LH For Door With Key	-	-	-	-	-	-	-	1	(AL181042)
26	AL241221	Handle Assly RH-Door Lock	-	-	-	-	-	-	-	1	
27	AL241220	Handle Assly LH-Door Lock	-	-	-	-	-	-	-	1	
28	AL241609	Assly Hinge Upper RH	-	-	-	-	-	-	-	1	
29	AL241603	Assly Hinge Upper LH	-	-	-	-	-	-	-	1	
30	AL241614	Assly Hinge Lower RH	-	-	-	-	-	-	-	1	
31	AL241606	Assly Hinge Lower LH	-	-	-	-	-	-	-	1	
32	AL161662	Plate For Hinge RE 3WH Cargo	-	-	-	-	-	-	-	2	
33	AL241662	Strip Door Limiting Cargo	-	-	-	-	-	-	-	2	
34	AL241479	Pin Step For Handle	-	-	-	-	-	-	-	2	

AU - RE PET
AF - RE CNG
AM - RE LPG

AZ - Maxima Z CNG
RA - Maxima ZLPG

AT - Maxima XWIDE CNG
AT1 - Maxima XWIDE LPG
AN - Maxima C CNG



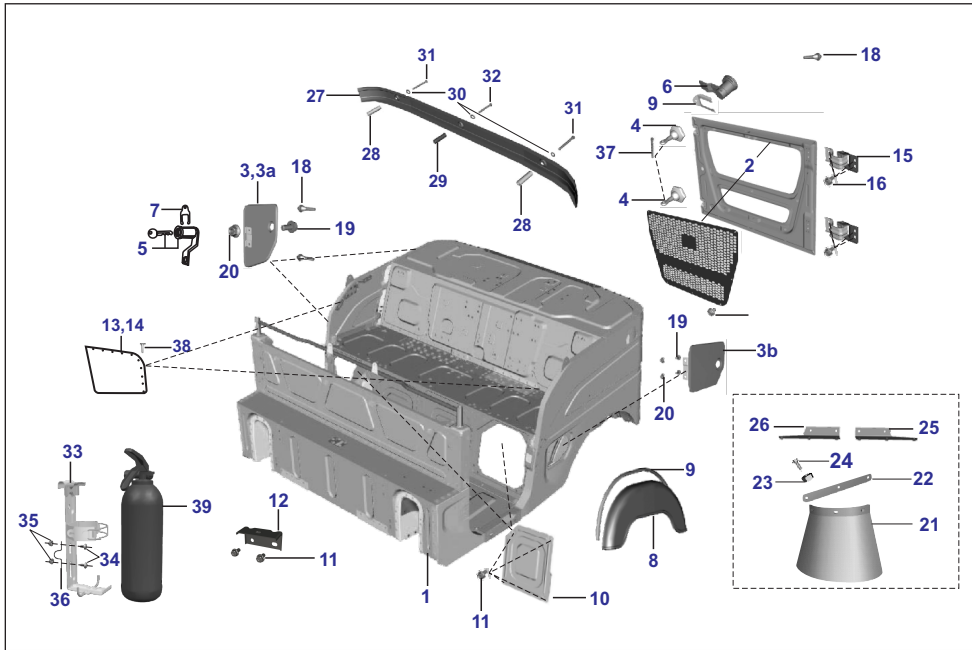
No.	Part No.	Description	RE			Z		XWIDE		C	Remarks
			AU	AF	AM	AZ	RA	AT	AT1	AN	
35	AL241480	Spacer With Collar Glass Mtg	-	-	-	-	-	-	-	4	
36	AL241475	Cover Door Latch For Re 900	-	-	-	-	-	-	-	2	
37	AL241395	Knob Door Lock	-	-	-	-	-	-	-	2	
38	AL241481	Screw Stepped M6X1X11	-	-	-	-	-	-	-	6	
39	39157006	Sleeve - Spring Dowel	-	-	-	-	-	-	-	2	
40	KCEC0504	Nut Domed Cap Single Piece	-	-	-	-	-	-	-	2	
41	KADA0612	Bolt Flanged	-	-	-	-	-	-	-	22	
42	KCGF0606	Nut - Hexagon With Flange M6	-	-	-	-	-	-	-	4	
43	KBBC0516	Screw Pan Cross	-	-	-	-	-	-	-	2	
44	AL241189	Spring Glass Lock	-	-	-	-	-	-	-	2	
45	AL241804	Grmt Sw GI Locking Handle RH	-	-	-	-	-	-	-	1	
46	AL241803	Grmt Sw GI Locking Handle LH	-	-	-	-	-	-	-	1	



No.	Part No.	Description	RE			Z		XWIDE		C	Remarks
			AU	AF	AM	AZ	RA	AT	AT1	AN	

PLATE NO. 61: PASSENGER BODY - RE

ALTERNATE FUEL
MF & BF OBD2B



No.	Part No.	Description	RE			Z		XWIDE		C	Remarks
			AU	AF	AM	AZ	RA	AT	AT1	AN	
1	52AU0410	Ed Coated Assembly Body	1	-	-	-	-	-	-	-	
1	52AF1130	Ed Coated Assembly Body	-	1	1	-	-	-	-	-	
2	52AF0621	Door Assembly Rear	1	1	1	-	-	-	-	-	
3	52AA2034	Lid Assembly Filler Fuel	1	-	-	-	-	-	-	-	
3a	52AF0929	Lid Assembly Filler Fuel	-	1	1	-	-	-	-	-	
3b	52AF0928	Lid Assembly Filler Fuel	-	1	1	-	-	-	-	-	
4	24231245	Knob For Rear Door	2	2	2	-	-	-	-	-	
5	36244044	Lock Fuel Filling Door With Key	1	1	1	-	-	-	-	-	
6	36AF0068	Lock Rear Door With Key	1	1	1	-	-	-	-	-	
7	1160717	Lock Clip	2	2	2	-	-	-	-	-	
8	52210040	Rear Mudguard Assly	2	2	2	-	-	-	-	-	
9	25231064	Beading For Rear Mudguard	2	2	2	-	-	-	-	-	
10	52AF0669	Cover Assembly Panel Body	2	2	2	-	-	-	-	-	
11	KADD0612	Bolt Flanged	12	12	12	-	-	-	-	-	
12	24231705	Brack. Seat Mounting Passenger	2	2	2	-	-	-	-	-	
13	52AF0595	Cover Panel Body LH	1	1	1	-	-	-	-	-	

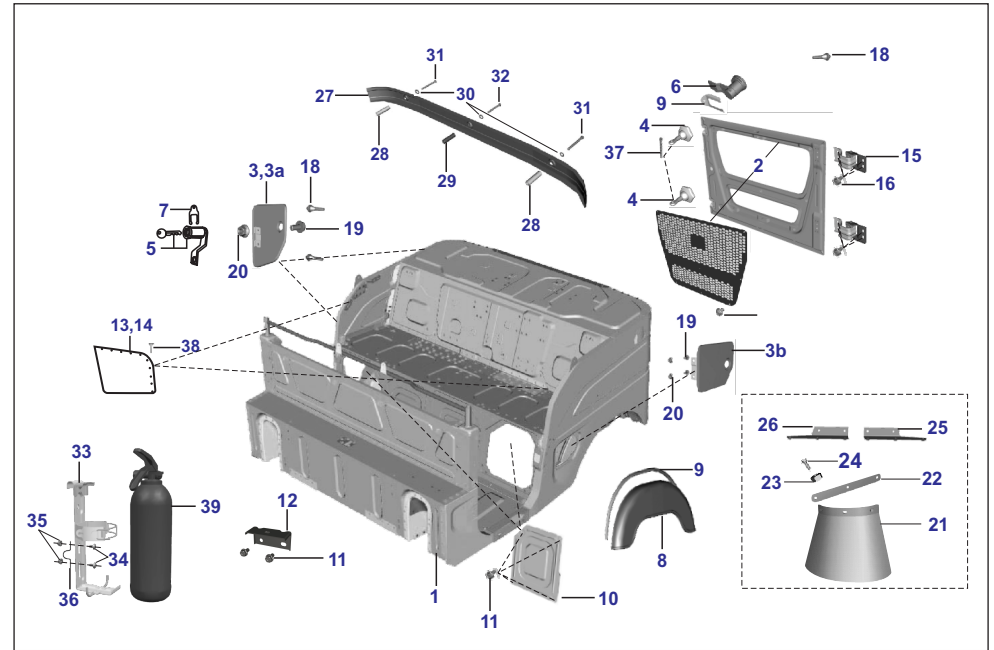
AU - RE PET
AF - RE CNG
AM - RE LPG

AZ - Maxima Z CNG
RA - Maxima ZLPG

AT - Maxima XWIDE CNG
AT1 - Maxima XWIDE LPG
AN - Maxima C CNG

PLATE NO. 61: PASSENGER BODY - RE

ALTERNATE FUEL
MF & BF OBD2B

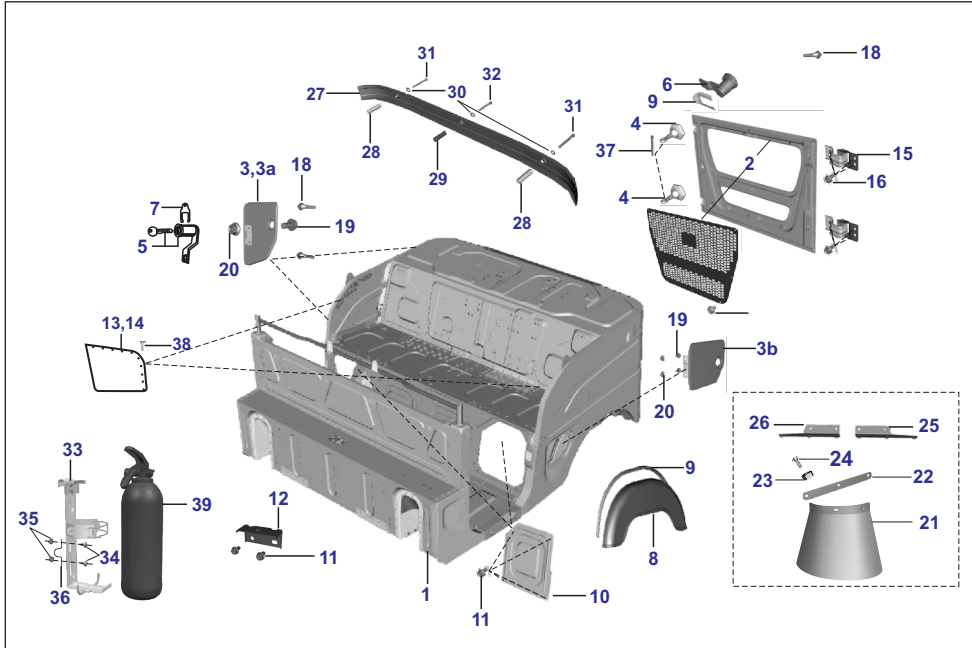


No.	Part No.	Description	RE			Z		XWIDE		C	Remarks
			AU	AF	AM	AZ	RA	AT	AT1	AN	
14	52AF0596	Cover Panel Body RH	1	1	1	-	-	-	-	-	
15	AF231573	Hinge Door Rear	2	2	2	-	-	-	-	-	
16	KADF0612	Bolt Flanged	8	8	8	-	-	-	-	-	
18	24230198	Pad Rubber	6	6	6	-	-	-	-	-	
19	KADF0510	Bolt Flanged	4	4	4	-	-	-	-	-	
20	KCGD0505	Nut Hex Flanged-M5X0.8	4	4	4	-	-	-	-	-	
21	24230185	Mud Flap	2	2	2	-	-	-	-	-	
22	24231157	Stripe Re Mudguard Flap	2	2	2	-	-	-	-	-	
23	KCAD0504	Nut Hex Thick-Rear Mud	8	8	8	-	-	-	-	-	
24	KDBA0512	Washer Plain	8	8	8	-	-	-	-	-	
25	24231090	Angle Right Hand Rear Mud Flap	1	1	1	-	-	-	-	-	
26	24231091	Angle Left Hand Rear Mud Flap	1	1	1	-	-	-	-	-	
27	52AF0803	Bumper Rear Ed Coated	1	1	1	-	-	-	-	-	
28	BA161206	Spacer	2	2	2	-	-	-	-	-	
29	24165273	Sleeve Bumper Midle	1	1	1	-	-	-	-	-	
30	KDAB1018	Washer_Plain_Small	3	3	3	-	-	-	-	-	

AU - RE PET
AF - RE CNG
AM - RE LPG

AZ - Maxima Z CNG
RA - Maxima ZLPG

AT - Maxima XWIDE CNG
AT1 - Maxima XWIDE LPG
AN - Maxima C CNG



No.	Part No.	Description	RE			Z		XWIDE		C	Remarks
			AU	AF	AM	AZ	RA	AT	AT1	AN	
31	KADD08A5	Bolt Flanged	2	2	2	-	-	-	-	-	
32	KAAG0875	Bolt	1	1	1	-	-	-	-	-	
33	AF221022	Assly Bracket Fire Exting Mtg	-	1	1	-	-	-	-	-	
34	KBUA0612	Screw Truss Fire Exti.	-	2	2	-	-	-	-	-	
35	KCGA0606	Nut Hex Flanged	-	2	2	-	-	-	-	-	
36	AS230005	Flap Mud-Rear	-	1	1	-	-	-	-	-	
37	KHAA3228	Pin Cotter	2	2	2	-	-	-	-	-	
38	BB231644	Clip Cover Body	6	6	6	-	-	-	-	-	
39	AF221005	Extinguisher Fire Safex	-	1	1	-	-	-	-	-	



No.	Part No.	Description	RE			Z		XWIDE		C	Remarks
			AU	AF	AM	AZ	RA	AT	AT1	AN	

PLATE NO. 62: PASSENGER BODY - Z

ALTERNATE FUEL
MF & BF OBD2B

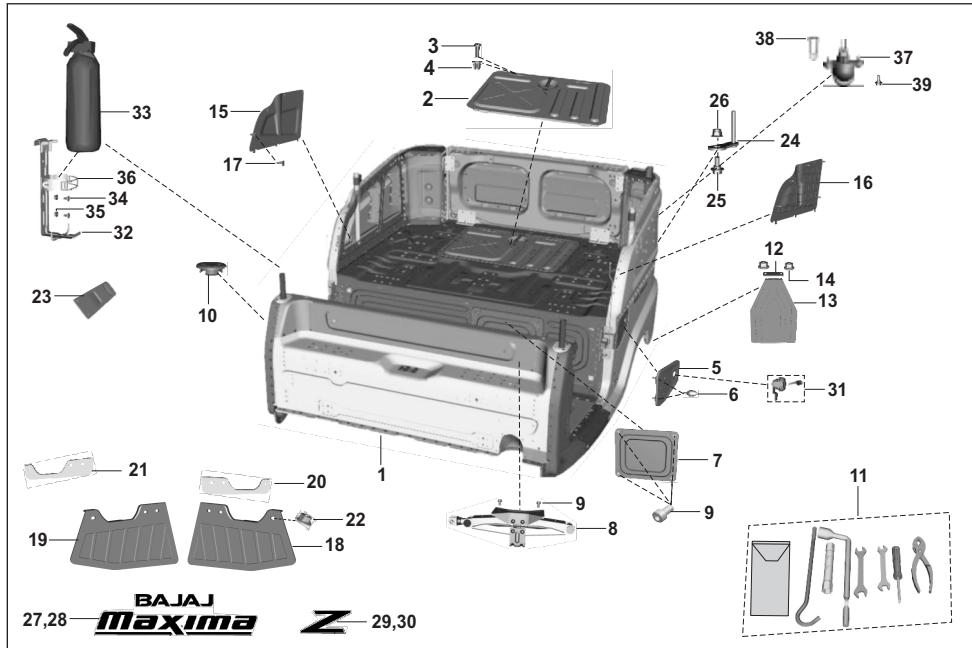
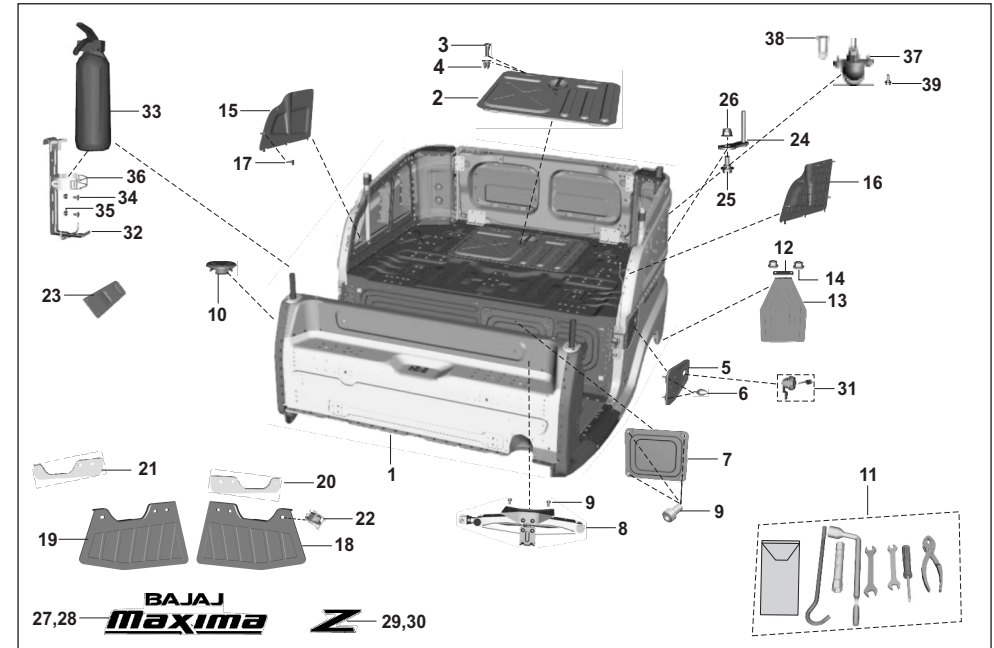


PLATE NO. 62: PASSENGER BODY - Z

ALTERNATE FUEL
MF & BF OBD2B



No.	Part No.	Description	RE			Z		XWIDE		C	Remarks
			AU	AF	AM	AZ	RA	AT	AT1	AN	
1	52AZ0432	Ed Coated Body Assly	-	-	-	1	1	-	-	-	(AZ211042)
2	52BH0210	Door engine access - Z -	-	-	-	2	2	-	-	-	(AZ211329)
3	KBUC0516	Screw - Truss - M5 X 16L, 4.8	-	-	-	4	4	-	-	-	
4	AL161509	Grommet screw eng door	-	-	-	4	4	-	-	-	
5	52AZ0178	Door assembly fuel filling	-	-	-	1	1	-	-	-	(AZ241002)
6	6221028	Shockabsorber Pad	-	-	-	2	2	-	-	-	
7	52AZ0174	Cover Battery Access UG-	-	-	-	1	1	-	-	-	(AZ211049)
8	BB221004	Jack assly.	-	-	-	1	1	-	-	-	
9	KADD0612	Bolt Flanged	-	-	-	8	8	-	-	-	
10	AZ182403	Cap Spare Wheel Mtg Cutout Ug	-	-	-	1	1	-	-	-	
11	AZ231005	Toolkit	-	-	-	1	1	-	-	-	
12	BH181402	Plate for mudflap	-	-	-	2	2	-	-	-	
13	AZ181401	Flap Mud-rear	-	-	-	1	1	-	-	-	
14	DS151094	Nut Hex Flanged M6X1	-	-	-	4	4	-	-	-	
15	AZ182402	Trim Pad Pass Body RH UG	-	-	-	1	1	-	-	-	
16	AZ182401	Trim Pad Pass Body LH UG	-	-	-	1	1	-	-	-	
17	BF241152	Rivet Plastic Door Edge Beading	-	-	-	10	10	-	-	-	
18	BB161244	Mudflap rear LH	-	-	-	1	1	-	-	-	
19	BB161245	Mudflap rear RH	-	-	-	1	1	-	-	-	

AU - RE PET
AF - RE CNG
AM - RE LPG

AZ - Maxima Z CNG
RA - Maxima ZLPG

AT - Maxima XWIDE CNG
AT1 - Maxima XWIDE LPG
AN - Maxima C CNG

No.	Part No.	Description	RE			Z		XWIDE		C	Remarks
			AU	AF	AM	AZ	RA	AT	AT1	AN	
20	BH181405	Plate mudflap support LH	-	-	-	1	1	-	-	-	
21	BH181406	Plate mudflap support RH	-	-	-	1	1	-	-	-	
22	KCGA0505	Nut hex flanged	-	-	-	6	6	-	-	-	
23	AZ181204	Cover Trim	-	-	-	2	2	-	-	-	
24	BH211201	Assly Plate Link Frame Body	-	-	-	1	1	-	-	-	
25	GF161156	Bolt Step-M6X1-OLIVE	-	-	-	1	1	-	-	-	
26	KCKA0609	Nut Nyloc Flanged	-	-	-	1	1	-	-	-	
27	AZ233013	Label Bajaj Maxima-black	-	-	-	1	1	-	-	-	
28	AZ233012	Label Bajaj Maxima-white	-	-	-	1	1	-	-	-	
29	AZ233014	Label Z-Maxima black	-	-	-	1	1	-	-	-	
30	AZ233015	Label Z-Maxima white	-	-	-	1	1	-	-	-	
31	36AZ0051	Door fuel filling lock with key	-	-	-	1	1	-	-	-	
32	AF221022	Assly Bracket Fire Exting MTG	-	-	-	1	1	-	-	-	
33	AF221005	Extinguisher Fire Safex	-	-	-	1	1	-	-	-	
34	KBUA0612	Screw Truss	-	-	-	2	2	-	-	-	
35	KCGA0606	Nut Hex Flanged	-	-	-	2	2	-	-	-	
36	AS230005	Clamp	-	-	-	1	1	-	-	-	
37	BH401016	Lamp Plate Number	-	-	-	1	1	-	-	-	
38	JD401032	Bulb 12v 5w E-marked	-	-	-	1	1	-	-	-	
39	59010005	Screw Truss	-	-	-	2	2	-	-	-	

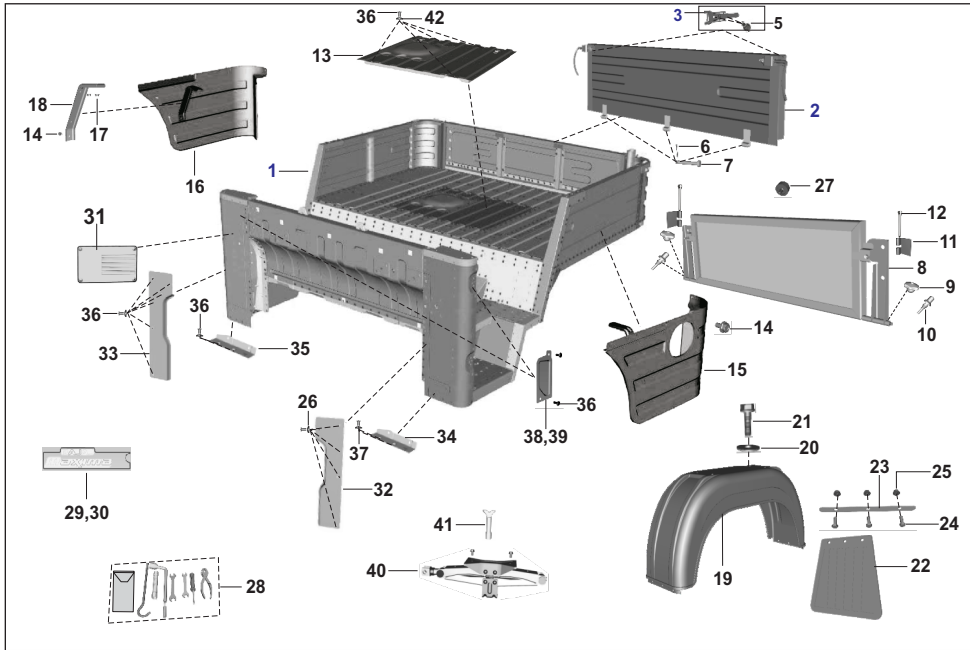
AU - RE PET
AF - RE CNG
AM - RE LPG

AZ - Maxima Z CNG
RA - Maxima ZLPG

AT - Maxima XWIDE CNG
AT1 - Maxima XWIDE LPG
AN - Maxima C CNG

PLATE NO. 63: PASSENGER BODY - XWIDE

ALTERNATE FUEL
MF & BF OBD2B



No.	Part No.	Description	RE		Z		XWIDE		C	Remarks
			AU	AF	AM	AZ	RA	AT	AT1	
1	52AT0293	Assembly Body(AT211650) - NS	-	-	-	-	1	1	-	
2	52BB0361	Door rear upper -WB	-	-	-	-	1	1	-	
3	AL241872	Clamp Toggle	-	-	-	-	1	1	-	
5	KADF0614	Bolt Flanged M6X1	-	-	-	-	4	4	-	
6	KHAE3220	Pin Cotter	-	-	-	-	3	3	-	
7	LHE00005	Pin -dia. 8XL 85 Hinge rr upper	-	-	-	-	3	3	-	
8	BB161171	Assembly guard rear	-	-	-	-	1	1	-	
9	24231245	Knob rear door lower	-	-	-	-	2	2	-	
10	24230198	Pad rubber	-	-	-	-	2	2	-	
11	BB161204	Bracket tie rod	-	-	-	-	2	2	-	
12	KHAA3228	PIN COTTER	-	-	-	-	2	2	-	
13	52BB0362	Door engine access -AT211407	-	-	-	-	1	1	-	
14	KADA0510	Bolt flanged-WB	-	-	-	-	14	14	-	
15	BB231369	Cover rear LH	-	-	-	-	1	1	-	
16	AT211458	Cover Rear RH	-	-	-	-	1	1	-	
17	KCGF0505	Nut Hex Flanged	-	-	-	-	4	4	-	
18	BB231451	Stiffner Side Cover RE445L FL	-	-	-	-	2	2	-	

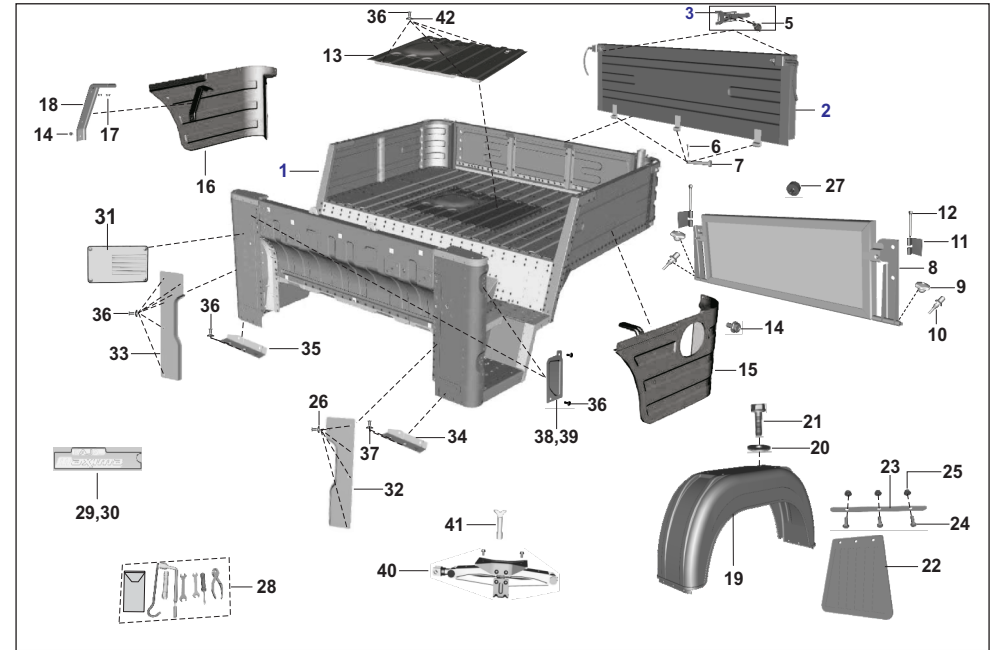
AU - RE PET
AF - RE CNG
AM - RE LPG

AZ - Maxima Z CNG
RA - Maxima ZLPG

AT - Maxima XWIDE CNG
AT1 - Maxima XWIDE LPG
AN - Maxima C CNG

PLATE NO. 63: PASSENGER BODY - XWIDE

ALTERNATE FUEL
MF & BF OBD2B



No.	Part No.	Description	RE		Z		XWIDE		C	Remarks
			AU	AF	AM	AZ	RA	AT	AT1	
19	AL161377	Rear mudguard	-	-	-	-	2	2	-	
20	LDB00014	Plain washer	-	-	-	-	8	8	-	
21	KADF0618	Bolt-flanged-small-WB	-	-	-	-	8	8	-	
22	AL161226	Mud flap For rear mudguard	-	-	-	-	2	2	-	
23	AL161229	Strip for mud flap	-	-	-	-	2	2	-	
24	KAAA0514	Bolt	-	-	-	-	6	6	-	
25	KCGA0505	Nut Hex Flanged	-	-	-	-	6	6	-	
26	LDB00023	Plain Washer	-	-	-	-	15	15	-	
27	AT211571	Damper	-	-	-	-	2	2	-	
28	AT231001	Toolkit Complete	-	-	-	-	1	1	-	
29	BB231659	Label BAJAJ MAXIMA hd white	-	-	-	-	1	1	-	
30	BB231658	Label Bajaj Maxima hd black	-	-	-	-	1	1	-	
31	AF221011	Plate Compliance CNG	-	-	-	-	1	-	-	
31	AM220006	Plate Compliance LPG	-	-	-	-	-	1	-	
32	52AT0135	Cover Panel Bolttable B. FR LH	-	-	-	-	1	1	-	AT211281
33	52AT0136	Cover Panel Bolttable B. FR RH	-	-	-	-	1	1	-	AT211282

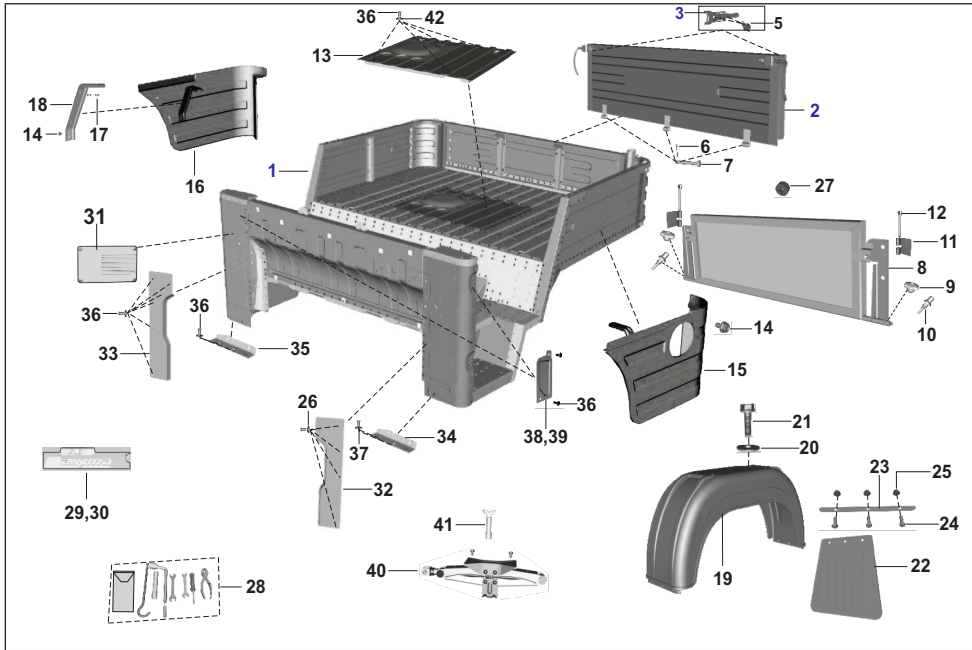
AU - RE PET
AF - RE CNG
AM - RE LPG

AZ - Maxima Z CNG
RA - Maxima ZLPG

AT - Maxima XWIDE CNG
AT1 - Maxima XWIDE LPG
AN - Maxima C CNG

PLATE NO. 63: PASSENGER BODY - XWIDE

ALTERNATE FUEL
MF & BF OBD2B



No.	Part No.	Description	RE			Z		XWIDE		C	Remarks
			AU	AF	AM	AZ	RA	AT	AT1	AN	
34	52AT0137	Cover Lower Front - LH	-	-	-	-	-	1	1	-	AT211439
35	52AT0138	Cover Lower Front RH-	-	-	-	-	-	1	1	-	AT211440
36	KBUA0614	Screw Truss	-	-	-	-	-	19	19	-	
37	KDBB1022	Washer_plain	-	-	-	-	-	4	4	-	
38	52AT0468	Cover Pillar B LH	-	-	-	-	-	1	1	-	
39	52AT0469	Cover Pillar B RH	-	-	-	-	-	1	1	-	
40	AT231005	Jack Assembly-screw	-	-	-	-	-	1	1	-	
41	BF231007	Nut Wing	-	-	-	-	-	1	1	-	
42	KDBB0818	Washer_plain	-	-	-	-	-	4	4	-	

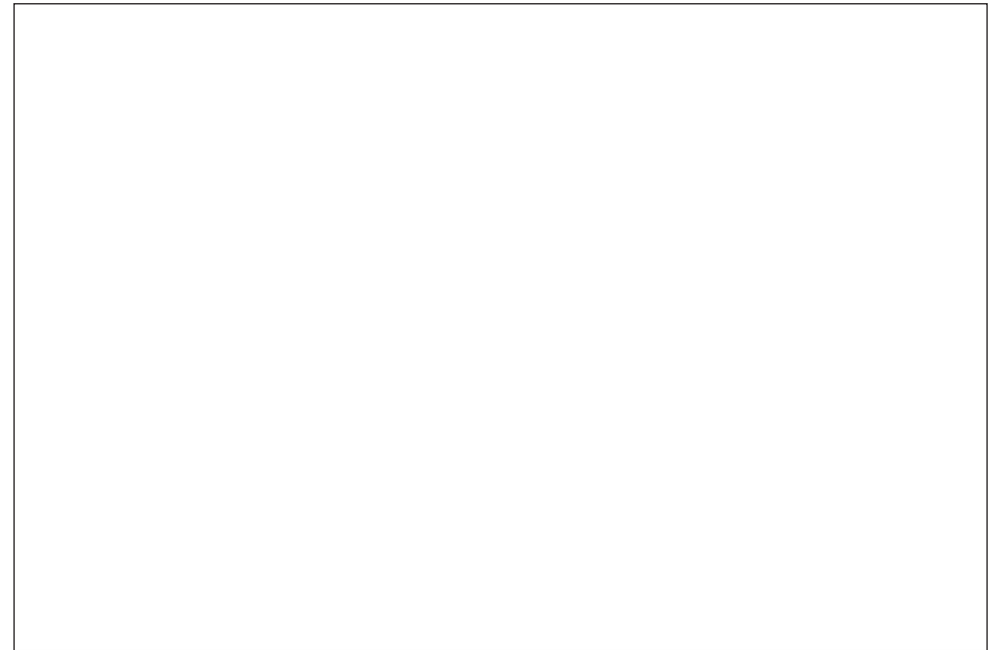
AU - RE PET
AF - RE CNG
AM - RE LPG

AZ - Maxima Z CNG
RA - Maxima ZLPG

AT - Maxima XWIDE CNG
AT1 - Maxima XWIDE LPG
AN - Maxima C CNG

PLATE NO.

ALTERNATE FUEL
MF & BF OBD2B

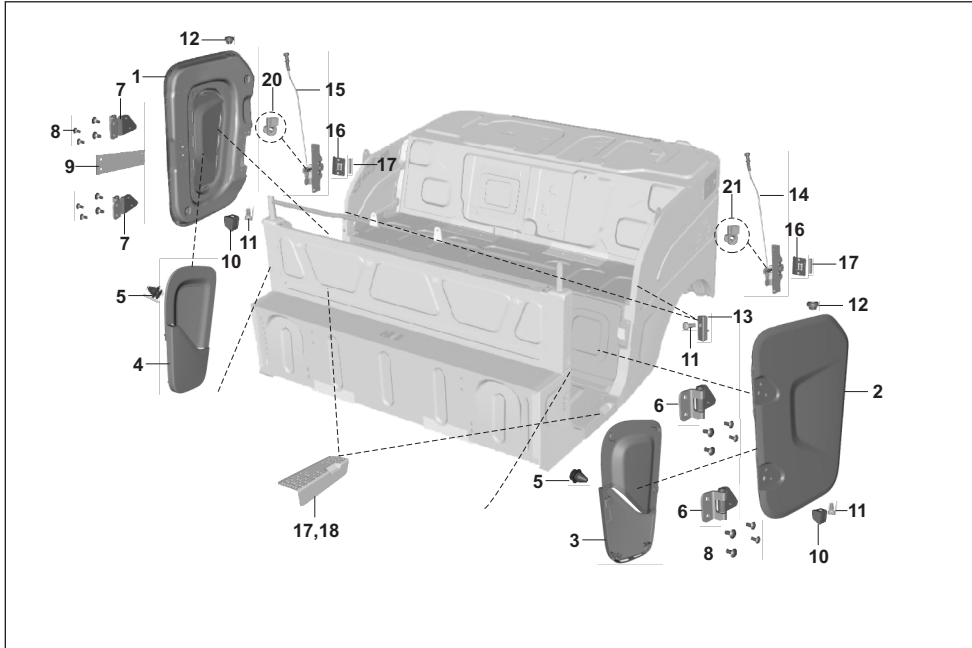


No.	Part No.	Description	RE			Z		XWIDE		C	Remarks
			AU	AF	AM	AZ	RA	AT	AT1	AN	

AU - RE PET
AF - RE CNG
AM - RE LPG

AZ - Maxima Z CNG
RA - Maxima ZLPG

AT - Maxima XWIDE CNG
AT1 - Maxima XWIDE LPG
AN - Maxima C CNG

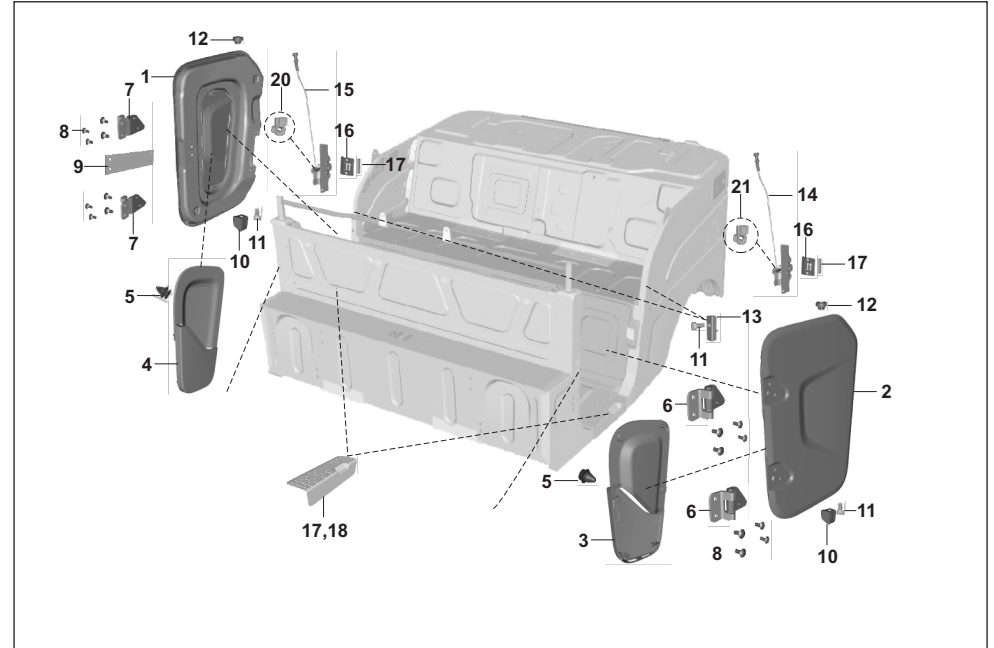


No.	Part No.	Description	RE			Z		XWIDE		C	Remarks
			AU	AF	AM	AZ	RA	AT	AT1	AN	
1	52AH0351	Door Assembly LH	1	1	1	-	-	-	-	-	AF231688
2	52AH0349	Door Assembly RH	1	1	1	-	-	-	-	-	AF231689
3	AF231756	Trim Door Inner LH	1	1	1	-	-	-	-	-	
4	AF231757	Trim Door Inner RH	1	1	1	-	-	-	-	-	
5	AH185007	Clip	10	10	10	-	-	-	-	-	
6	AZ241401	Assly Hinge Side Door LH UG	2	2	2	-	-	-	-	-	
7	AZ241402	Assly Hinge Side Door RH UG	2	2	2	-	-	-	-	-	
8	KBUC0614	Screw Truss	16	16	16	-	-	-	-	-	
9	AL241662	Strap Check	2	2	2	-	-	-	-	-	
10	AZ241032	Damper Side Door LWR UG	2	2	2	-	-	-	-	-	
11	KBBA0616	Screw Pan Cross	4	4	4	-	-	-	-	-	
12	AZ241039	Guide Knob Mtg Side Door UG	2	2	2	-	-	-	-	-	
13	AF231708	Damper	2	2	2	-	-	-	-	-	
14	AF231702	Latch Door LH	1	1	1	-	-	-	-	-	
15	AF231703	Latch Door RH	1	1	1	-	-	-	-	-	
16	AF231775	Plate Striker	2	-	-	-	-	-	-	-	PET
16	AZ242004	Plate Striker Latch	-	2	2	-	-	-	-	-	

AU - RE PET
AF - RE CNG
AM - RE LPG

AZ - Maxima Z CNG
RA - Maxima ZLPG

AT - Maxima XWIDE CNG
AT1 - Maxima XWIDE LPG
AN - Maxima C CNG

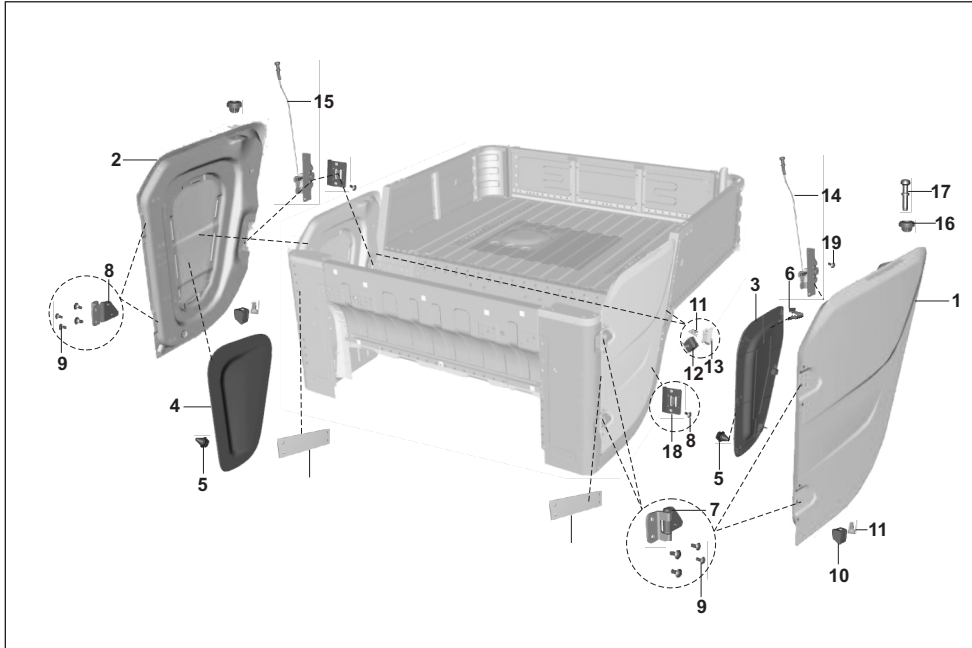


No.	Part No.	Description	RE			Z		XWIDE		C	Remarks
			AU	AF	AM	AZ	RA	AT	AT1	AN	
17	AF231650	Plate Scuff LH	1	1	1	-	-	-	-	-	
18	AF231742	Plate Scuff RH	1	1	1	-	-	-	-	-	
19	KCGA0505	NUT HEX FLANGED	4	4	4	-	-	-	-	-	
20	YAZ08027	Snap Clip-door Latch RH(Milky)	1	1	1	-	-	-	-	-	
21	YAZ08028	Snap Clip-door Latch LH(Yellow)	1	1	1	-	-	-	-	-	

AU - RE PET
AF - RE CNG
AM - RE LPG

AZ - Maxima Z CNG
RA - Maxima ZLPG

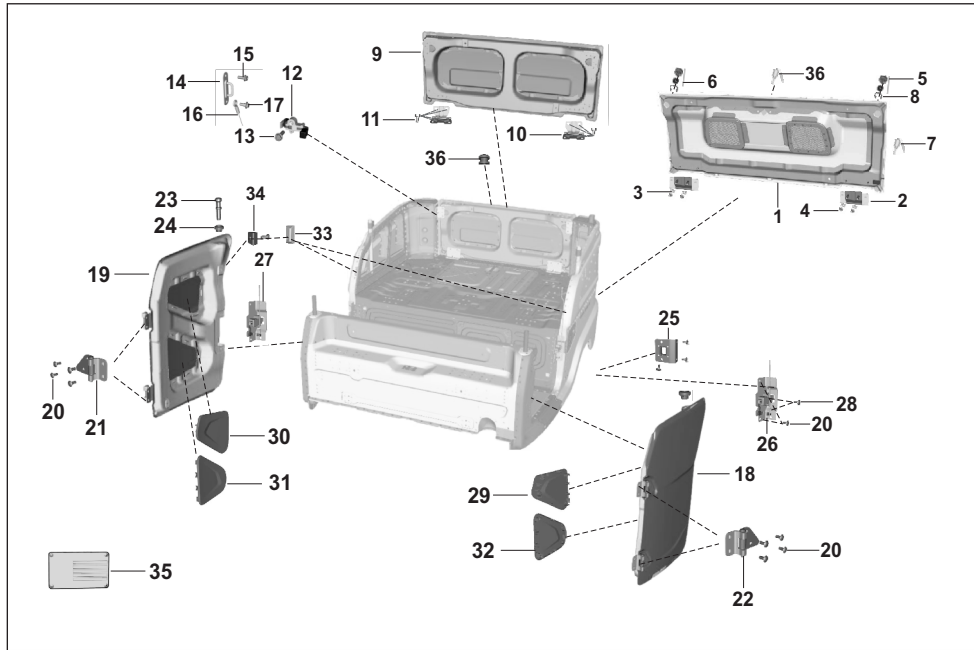
AT - Maxima XWIDE CNG
AT1 - Maxima XWIDE LPG
AN - Maxima C CNG



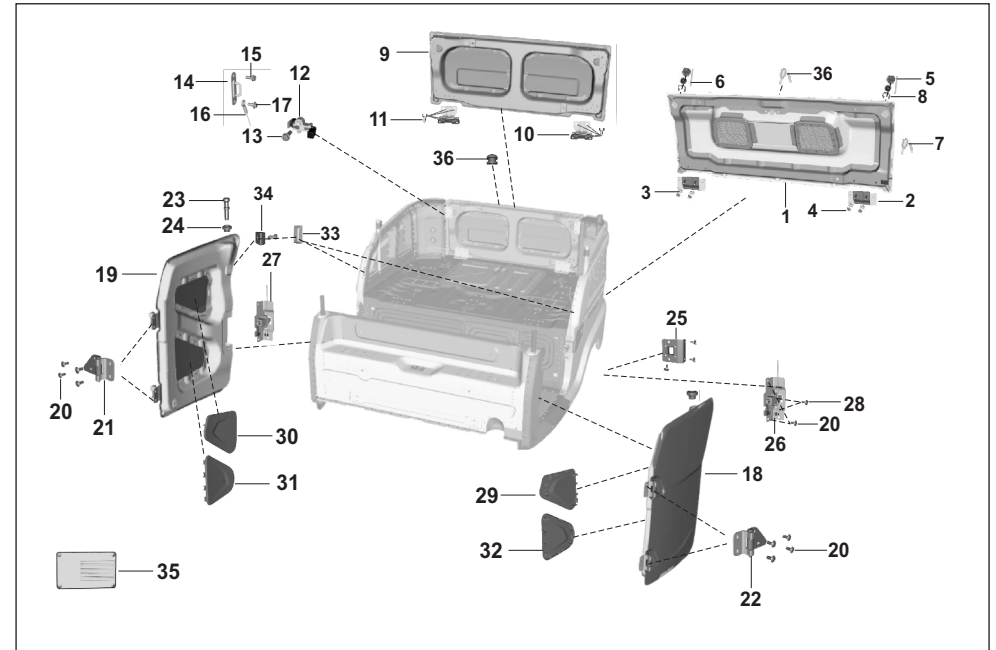
No.	Part No.	Description	RE			Z		XWIDE		C	Remarks
			AU	AF	AM	AZ	RA	AT	AT1	AN	
1	52AT0295	Door Assembly RH	-	-	-	-	-	1	1	-	(AT241004)
2	52AT0296	Door Assembly LH	-	-	-	-	-	1	1	-	(AT241003)
3	52AT0339	Trim Door LH	-	-	-	-	-	1	1	-	
4	52AT338	Trim Door RH	-	-	-	-	-	1	1	-	
5	AH185007	Clip	-	-	-	-	-	10	10	-	
6	BF181208	Clip Metallic Tower	-	-	-	-	-	2	2	-	
7	AZ241401	Assly Hinge Side Door LH UG	-	-	-	-	-	2	2	-	
8	AZ241402	Assly Hinge Side Door RH UG	-	-	-	-	-	2	2	-	
9	KBUC0614	Screw Truss	-	-	-	-	-	40	40	-	
10	AZ241032	Damper Side Door LWR UG	-	-	-	-	-	2	2	-	
11	KBBA0616	Screw Pan Cross	-	-	-	-	-	6	6	-	
12	AZ241029	Damper body side upr	-	-	-	-	-	2	2	-	
13	AT241021	Damper	-	-	-	-	-	2	2	-	
14	AT242000	Latch Door LH	-	-	-	-	-	1	1	-	
15	AT242001	Latch Door RH	-	-	-	-	-	1	1	-	
16	AZ241039	Guide Knob Mtg Side Door UG	-	-	-	-	-	2	2	-	
17	AZ242004	Plate Striker	-	-	-	-	-	2	2	-	
18	KBUC0620	Screw Truss	-	-	-	-	-	4	4	-	



No.	Part No.	Description	RE			Z		XWIDE		C	Remarks
			AU	AF	AM	AZ	RA	AT	AT1	AN	



No.	Part No.	Description	RE			Z		XWIDE		C	Remarks
			AU	AF	AM	AZ	RA	AT	AT1	AN	
1	52BH0209	Assembly Door Eng Access	-	-	-	1	1	-	-	-	
2	AZ244017	Assembly Hinge Eac	-	-	-	2	2	-	-	-	
3	KDBB0818	Washer_Plain	-	-	-	4	4	-	-	-	
4	KCGC0606	Nut Hex Flanged	-	-	-	8	8	-	-	-	
5	AZ244046	Knob Door Rear	-	-	-	2	2	-	-	-	
6	BH211163	Rubber Damper Rr Door Upper	-	-	-	2	2	-	-	-	
7	BH211158	Rubber Damper Rr Door Lower	-	-	-	3	3	-	-	-	
8	KECB0415	Circlip Type E	-	-	-	2	2	-	-	-	
9	52AZ0180	Door Rear Upper	-	-	-	1	1	-	-	-	
10	AZ247000	Assly Hinge Rr Upper Door	-	-	-	2	2	-	-	-	
11	KADF0816	Bolt Flanged	-	-	-	8	8	-	-	-	
12	AZ245000	Latch Assmblly	-	-	-	2	2	-	-	-	
13	LAD00064	Bolt Flanged	-	-	-	4	4	-	-	-	
14	BH211051	Bracket Hook Upper Door	-	-	-	2	2	-	-	-	
15	KADF0616	Bolt Flanged	-	-	-	2	2	-	-	-	
16	AZ244026	Cable Door Holding	-	-	-	2	2	-	-	-	
17	BH211057	Bolt Shoulder	-	-	-	4	4	-	-	-	
18	52AZ0176	Assembly Side Door LH	-	-	-	1	1	-	-	-	
19	52AZ0177	Assembly Side Door RH	-	-	-	1	1	-	-	-	



No.	Part No.	Description	RE			Z		XWIDE		C	Remarks
			AU	AF	AM	AZ	RA	AT	AT1	AN	
20	KBUC0614	Screw Truss	-	-	-	8	8	-	-	-	
21	AZ241402	Assly Hinge Side Door RH	-	-	-	2	2	-	-	-	
22	AZ241401	Assly Hinge Side Door LH	-	-	-	2	2	-	-	-	
23	AL241395	Knob Door Lock	-	-	-	-	-	-	-	-	
24	AZ241039	Guide Knob Mtg Side Door	-	-	-	2	2	-	-	-	
25	AZ242004	Plate Striker Latch	-	-	-	2	2	-	-	-	
26	AZ242002	Latch Assembly Side Door LH	-	-	-	1	1	-	-	-	
27	AZ242003	Latch Assembly Side Door RH	-	-	-	1	1	-	-	-	
28	KBUC0620	Screw Truss- Latch	-	-	-	4	4	-	-	-	
29	52AZ0443	Trim Door Top-LH	-	-	-	1	1	-	-	-	
30	52AZ0445	Trim Door Top-RH	-	-	-	1	1	-	-	-	
31	52AZ0444	Trim Door Bottom-RH	-	-	-	1	1	-	-	-	
32	52AZ0442	Trim Door Bottom-LH	-	-	-	1	1	-	-	-	
33	AZ241029	Damper Body Side Upr	-	-	-	2	2	-	-	-	
34	AZ241031	Damper Side Door Upr	-	-	-	2	2	-	-	-	
35	AF221011	Plate Compliance CNG	-	-	-	1	-	-	-	-	
35	AM220006	Plate Compliance LPG	-	-	-	-	1	-	-	-	
36	BF601205	Damper Rubber	-	-	-	1	1	-	-	-	

PLATE NO. 67: TRAY BODY

ALTERNATE FUEL
MF & BF OBD2B

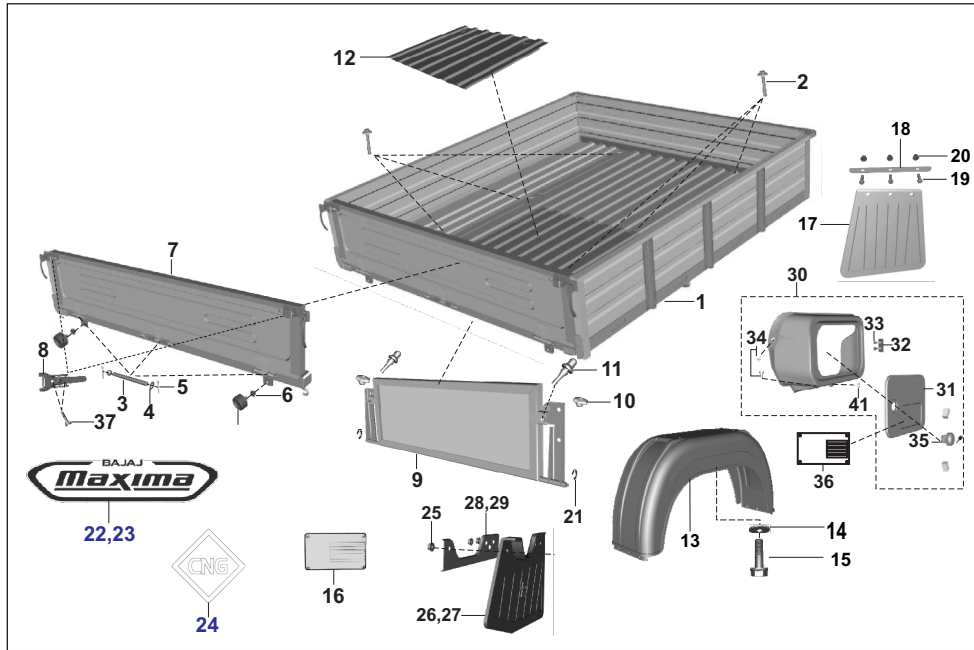
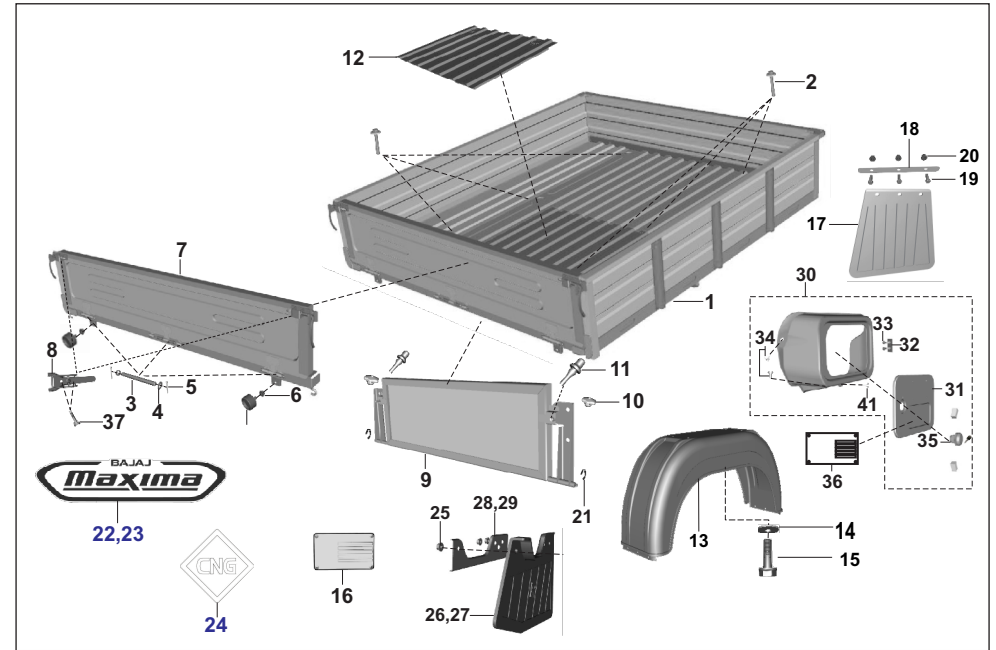


PLATE NO. 67: TRAY BODY

ALTERNATE FUEL
MF & BF OBD2B

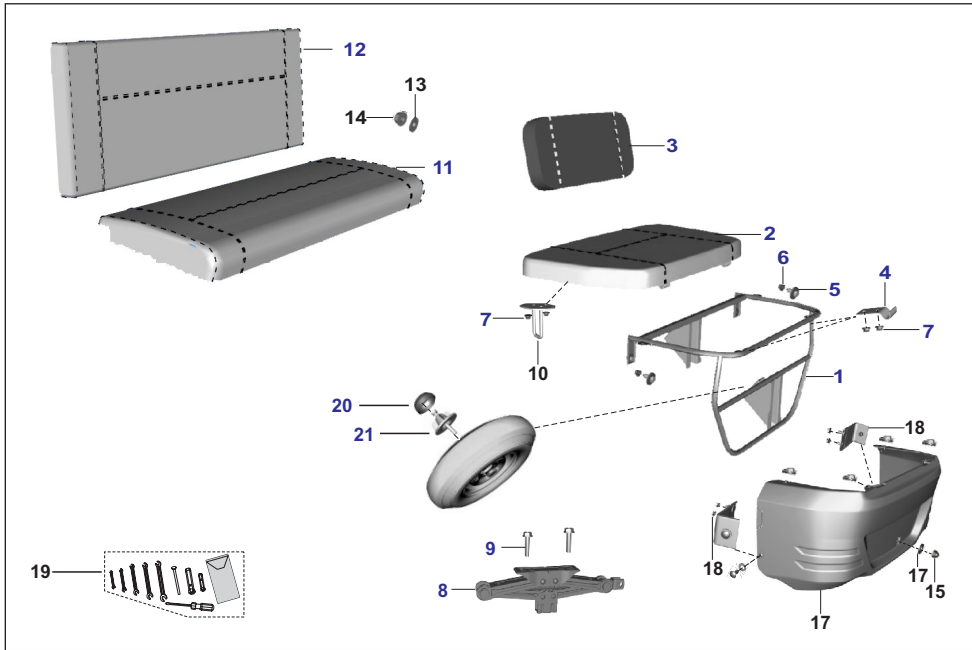


No.	Part No.	Description	RE		Z		XWIDE		C	Remarks
			AU	AF	AM	AZ	RA	AT	AT1	
1	52AL0390	Assly Tray Load Body Short Tray	-	-	-	-	-	-	1	AL241633
1	52AN0679	Assly Tray Load Body Long Tray	-	-	-	-	-	-	1	AN241095
2	AL241784	Bolt combination tray- LD	-	-	-	-	-	-	6	
3	LHE00005	Pin -DIA. 8XL 85 LT	-	-	-	-	-	-	3	
4	KHAE3220	Pin Cotter	-	-	-	-	-	-	3	
5	39229515	Nut flanged	-	-	-	-	-	-	2	
6	AL241767	Rubber Stopper Tray Rear Door	-	-	-	-	-	-	2	
7	52AL0396	Assembly Panel Rear Door ED	-	-	-	-	-	-	1	(AL241634)
8	AL241872	Clamp Toggle	-	-	-	-	-	-	2	
9	BB161171	Assembly Guard Rear	-	-	-	-	-	-	1	
10	24231245	Knob Rear Door Lower	-	-	-	-	-	-	2	
11	24230198	Pad rubber	-	-	-	-	-	-	2	
12	52AN0694	Cover Assly Engine Access	-	-	-	-	-	-	1	AN241126
13	AL161377	Rear mudguard	-	-	-	-	-	-	2	
14	LDB00014	Plain washer	-	-	-	-	-	-	11	
15	KADF0618	Bolt-flanged-small	-	-	-	-	-	-	8	
16	AF221011	Plate compliance cng	-	-	-	-	-	-	1	
17	AL161226	Mud flap For rear mudguard	-	-	-	-	-	-	2	
18	AL161229	Strip for mud flap	-	-	-	-	-	-	2	
19	KAAA0514	Hex head screw-M5	-	-	-	-	-	-	6	

No.	Part No.	Description	RE		Z		XWIDE		C	Remarks
			AU	AF	AM	AZ	RA	AT	AT1	
20	KCGA0505	Hexagon nut-m5	-	-	-	-	-	-	6	
21	39064517	Circlip E - Type	-	-	-	-	-	-	2	
22	BB231658	Label BAJAJ MAXIMA HD Black	-	-	-	-	-	-	1	
23	BB231659	Label BAJAJ MAXIMA HD White	-	-	-	-	-	-	1	
24	AF161024	Label cng	-	-	-	-	-	-	1	
25	KCGA0505	Nut hex flanged	-	-	-	-	-	-	6	
26	BB161244	Mudflap rear LH	-	-	-	-	-	-	1	
27	BB161245	Mudflap rear RH	-	-	-	-	-	-	1	
28	BH181405	Plate mudflap support LH	-	-	-	-	-	-	1	
29	BH181406	Plate mudflap support RH	-	-	-	-	-	-	1	
30	AN161235	Assembly box cng kit	-	-	-	-	-	-	1	
31	AN161126	Door assy for box cng kit	-	-	-	-	-	-	1	
32	AN161129	Plate assy for hinge mounting	-	-	-	-	-	-	1	
33	KAEF0608	Bolt-Flange	-	-	-	-	-	-	2	
34	AN161130	Bolt step(M6X1X14)	-	-	-	-	-	-	3	
35	36AA4015	Lock fuel filling cover with key	-	-	-	-	-	-	1	
36	AF221011	Plate compliance CNG	-	-	-	-	-	-	1	
37	KADF0614	Bolt Flanged M6X1	-	-	-	-	-	-	12	
38	BK233006	Decal XL Cargo White	-	-	-	-	-	-	1	NI
39	AL010194	Decal XL Cargo Black	-	-	-	-	-	-	1	NI

PLATE NO. 68: SEAT ASSLY - RE

ALTERNATE FUEL
MF & BF OBD2B



No.	Part No.	Description	RE			Z		XWIDE		C	Remarks
			AU	AF	AM	AZ	RA	AT	AT1	AN	
1	24211028	Assly frame driver seat	1	1	1	-	-	-	-	-	
2	AZ191022	Seat Assembly Driver	1	1	1	-	-	-	-	-	
3	AZ191024	Backrest Assembly Driver	1	1	1	-	-	-	-	-	
4	BH191032	Bracket seat base mtg	2	2	2	-	-	-	-	-	
5	24211026	Bolt combination	2	2	2	-	-	-	-	-	
6	KCGA0808	Nut flanged-	2	2	2	-	-	-	-	-	
7	KCGA0505	Nut - hexagon with flange	6	6	6	-	-	-	-	-	
8	24221047	Jack assly complete	1	1	1	-	-	-	-	-	
9	KADD0630	Bolt flanged	2	2	2	-	-	-	-	-	
10	AY191009	Hook driver seat	1	1	1	-	-	-	-	-	
11	AA231279	Seat Assembly Passenger	1	1	1	-	-	-	-	-	
12	AA231379	Backrest Assembly Passenger	1	1	1	-	-	-	-	-	
13	DT171048	WASHER PLAIN	3	3	3	-	-	-	-	-	
14	KCGA0606	Nut hexagon with flange M6	5	5	5	-	-	-	-	-	
15	KCEA0605	Nut dome cap single	1	1	1	-	-	-	-	-	
16	KCGC0606	Nut hex flanged	4	4	4	-	-	-	-	-	
17	24211037	Enclosure - driver seat	1	1	1	-	-	-	-	-	
18	24231806	Bracket enclosure side mtg	2	2	2	-	-	-	-	-	
19	AA221033	Toolkit complete	1	1	1	-	-	-	-	-	
20	BH131407	Assembly Cap Spare Wheel FL	1	1	1	-	-	-	-	-	
21	BH131403	Bolt	1	1	1	-	-	-	-	-	

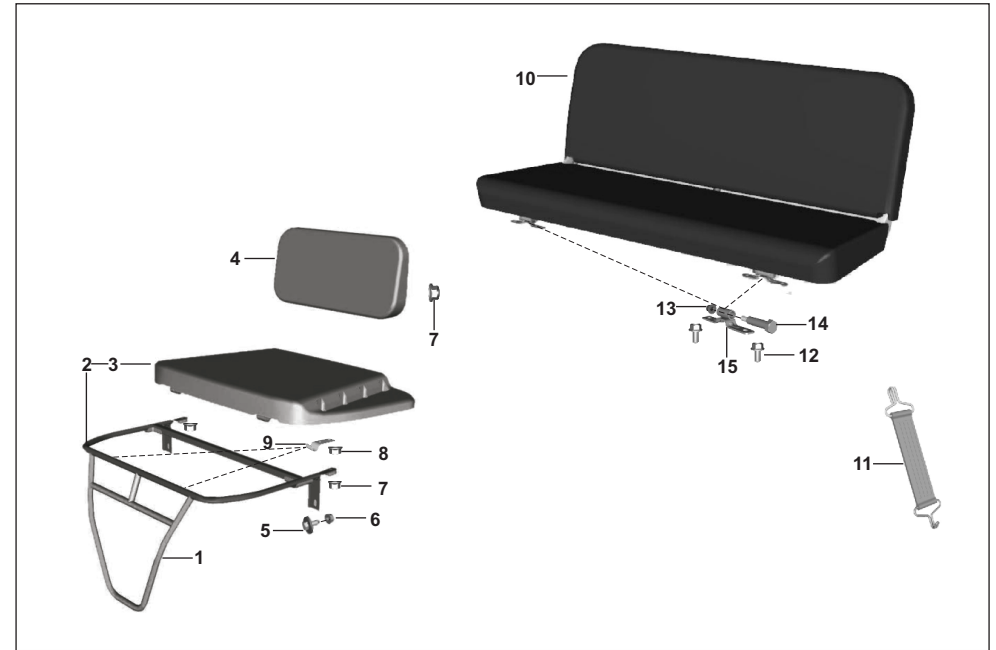
AU - RE PET
AF - RE CNG
AM - RE LPG

AZ - Maxima Z CNG
RA - Maxima ZLPG

AT - Maxima XWIDE CNG
AT1 - Maxima XWIDE LPG
AN - Maxima C CNG

PLATE NO. 69: SEAT ASSLY - Z

ALTERNATE FUEL
MF & BF OBD2B



No.	Part No.	Description	RE			Z		XWIDE		C	Remarks
			AU	AF	AM	AZ	RA	AT	AT1	AN	
1	AZ191004	Assembly Frame Driver Seat UG	-	-	-	1	1	-	-	-	
2	RA191003	Assembly Seat Driver	-	-	-	1	1	-	-	-	
3	AZ191022	Seat Assembly Driver	-	-	-	1	1	-	-	-	
4	AZ191024	Backrest Assembly Driver	-	-	-	1	1	-	-	-	
5	24211026	Bolt Combination	-	-	-	2	2	-	-	-	
6	KCGA0808	Nut Hex Flanged	-	-	-	2	2	-	-	-	
7	KCGA0606	Nut - seat frame	-	-	-	2	2	-	-	-	
8	KCGA0505	Nut Hex Flanged	-	-	-	8	8	-	-	-	
9	BH191032	Bracket seat base mtg	-	-	-	2	2	-	-	-	
10	BH191061	Assembly Passenger Seat UG	-	-	-	1	1	-	-	-	
11	BB231269	Strap Assy Passenger Seat	-	-	-	2	2	-	-	-	
12	KADA0816	Bolt Flanged	-	-	-	4	4	-	-	-	
13	KCKC0811	Nut Nyloc Flange	-	-	-	2	2	-	-	-	
14	LAA00033	Bolt	-	-	-	2	2	-	-	-	
15	BH191077	Bracket Assly Hinge Mounting	-	-	-	2	2	-	-	-	

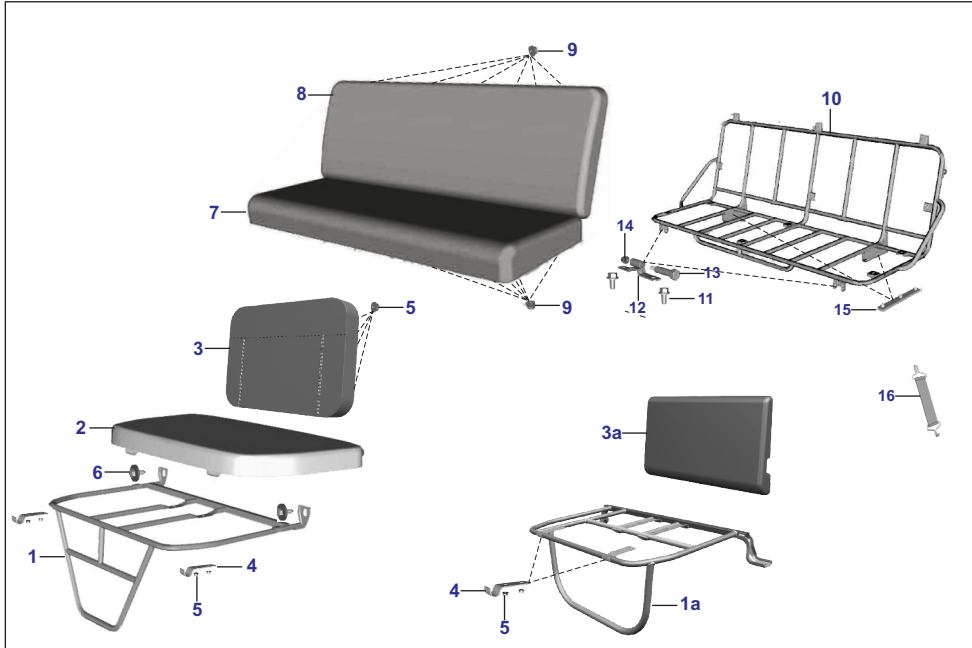
AU - RE PET
AF - RE CNG
AM - RE LPG

AZ - Maxima Z CNG
RA - Maxima ZLPG

AT - Maxima XWIDE CNG
AT1 - Maxima XWIDE LPG
AN - Maxima C CNG

PLATE NO. 70: SEAT - XWIDE & C

ALTERNATE FUEL
MF & BF OBD2B



No.	Part No.	Description	RE			Z		XWIDE		C	Remarks
			AU	AF	AM	AZ	RA	AT	AT1	AN	
1	AT191031	Frame assembly seat driver	-	-	-	-	-	1	1	-	
1a	AN230015	Frame Seat Driver	-	-	-	-	-	-	-	1	
2	AT191052	Seat Assmby Driver	-	-	-	-	-	1	1	1	
3	AZ191024	Backrest Assembly Driver	-	-	-	-	-	1	1	-	
3a	AL230020	Backrest Driver	-	-	-	-	-	-	-	1	
4	BH191032	Bracket seat base mtg	-	-	-	-	-	1	1	1	
5	KCGA0505	Nut hex flanged	-	-	-	-	-	4	4	4	
6	24211026	Bolt combination	-	-	-	-	-	2	2	-	
7	AT191016	Seat assembly passenger	-	-	-	-	-	1	1	-	
8	AT191012	Backrest assembly-passenger	-	-	-	-	-	1	1	-	
9	KCGF0606	Nut hex flanged	-	-	-	-	-	12	12	-	
10	AT191020	Frame passenger seat tubular	-	-	-	-	-	1	1	-	
11	KADF0816	Bolt flanged	-	-	-	-	-	4	4	-	
12	AT191022	Bracket assembly-hinge	-	-	-	-	-	2	2	-	
13	LAA00033	Bolt -M8	-	-	-	-	-	2	2	-	
14	KCKC0811	Nut nyloc flange	-	-	-	-	-	2	2	-	
15	BB231268	Damper	-	-	-	-	-	2	2	-	
16	BB231269	Strap Assy Passenger Seat	-	-	-	-	-	2	2	-	

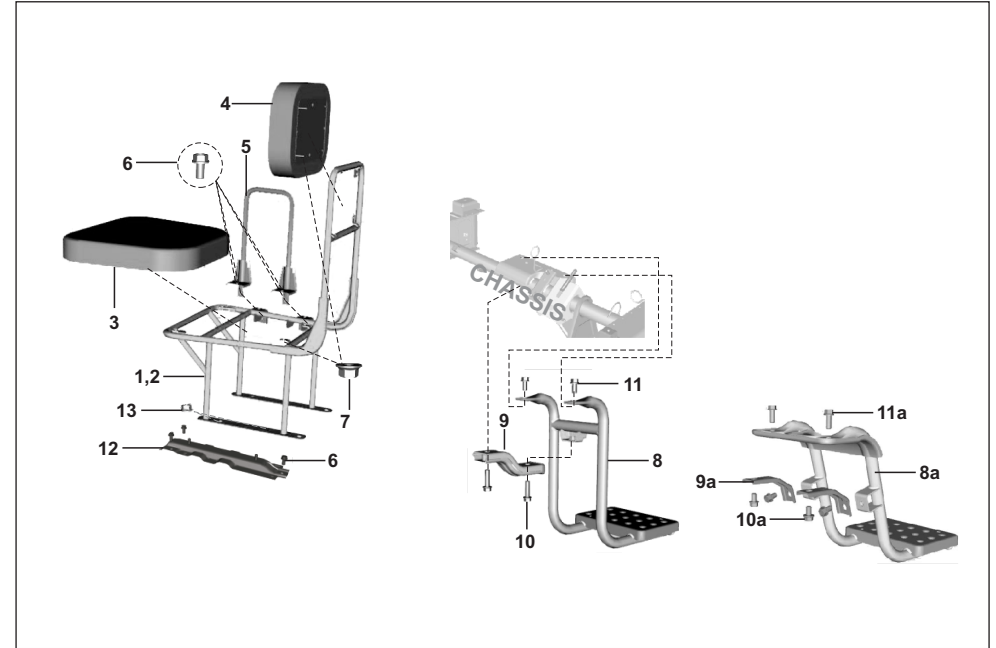
AU - RE PET
AF - RE CNG
AM - RE LPG

AZ - Maxima Z CNG
RA - Maxima ZLPG

AT - Maxima XWIDE CNG
AT1 - Maxima XWIDE LPG
AN - Maxima C CNG

PLATE NO. 71: PASSENGER SEAT - D+5

ALTERNATE FUEL
MF & BF OBD2B



No.	Part No.	Description	RE			Z		XWIDE		C	Remarks
			AU	AF	AM	AZ	RA	AT	AT1	AN	
1	AT191048	Frame Assly Seat Passenger RH II	-	-	-	-	-	1	1	-	D+5
2	AT191042	Frame Assly Seat Passenger LH II	-	-	-	-	-	1	1	-	D+5
3	AT191040	Seat Assbly Passenger II	-	-	-	-	-	2	2	-	D+5
4	AT191041	Backrest Assembly Passenger II	-	-	-	-	-	2	2	-	D+5
5	AT191049	Support Frame Seat Passenger II	-	-	-	-	-	2	2	-	D+5
6	KADA0816	Bolt Flanged	-	-	-	-	-	8	8	-	D+5
7	KCGC0505	Nut Hex Flanged	-	-	-	-	-	16	16	-	D+5
8a	AT113004	Step Assembly Rear	-	-	-	-	-	1	1	-	D+5
9a	AT113007	Bracket	-	-	-	-	-	2	2	-	D+5
10a	KADD1016	Bolt Flanged	-	-	-	-	-	2	2	-	D+5
11a	KADD1025	Bolt Flanged	-	-	-	-	-	2	2	-	D+5
12	AT211012	Member Seat	-	-	-	-	-	4	4	-	D+5
13	KCGA0808	Nut Hex Flanged	-	-	-	-	-	8	8	-	D+5

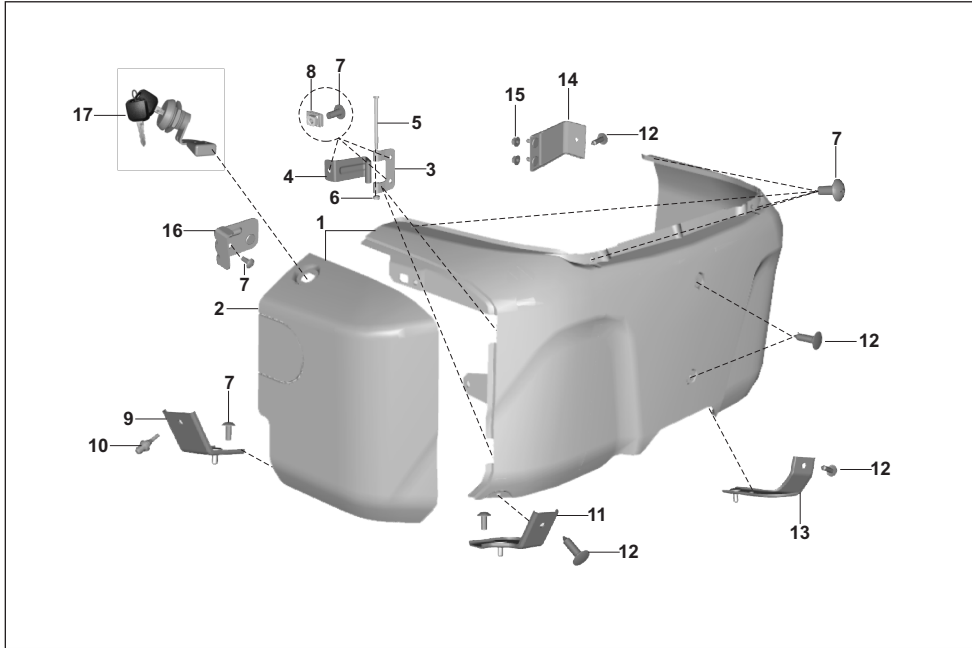
AU - RE PET
AF - RE CNG
AM - RE LPG

AZ - Maxima Z CNG
RA - Maxima ZLPG

AT - Maxima XWIDE CNG
AT1 - Maxima XWIDE LPG
AN - Maxima C CNG

PLATE NO. 72: SEAT COVER - Z

ALTERNATE FUEL
MF & BF OBD2B



No.	Part No.	Description	RE			Z		XWIDE		C	Remarks
			AU	AF	AM	AZ	RA	AT	AT1	AN	
1	AZ181207	Cover Assembly Seat Driver	-	-	-	1	-	-	-	-	
1	RA181200	Cover Assembly Cylinder-SM	-	-	-	-	1	-	-	-	
2	AZ181209	Lid Cover	-	-	-	1	1	-	-	-	
3	AZ181210	Bracket Hinge Cover	-	-	-	2	2	-	-	-	
4	AZ181211	Bracket Hinge LID	-	-	-	2	2	-	-	-	
5	LAA00048	Bolt	-	-	-	2	2	-	-	-	
6	KCAA0504	Nut Hex Thick	-	-	-	2	2	-	-	-	
7	KBUA0614	Screw Truss	-	-	-	14	14	-	-	-	
8	5161256	Clip Nut-M6	-	-	-	6	6	-	-	-	
9	AZ181215	Bracket Stopper LID	-	-	-	1	1	-	-	-	
10	24230198	Pad Rubber	-	-	-	2	2	-	-	-	
11	AZ181213	Bracket Cover Lower	-	-	-	1	1	-	-	-	
12	BF241152	Rivet Plastic Door Edge Beading	-	-	-	5	5	-	-	-	
13	AZ181217	Bracket Cover Lower LH	-	-	-	1	1	-	-	-	
14	AZ181214	Bracket Cover LH	-	-	-	1	1	-	-	-	
15	KCGC0606	Nut Hex Flanged	-	-	-	2	2	-	-	-	
16	AZ181220	Bracket Lock	-	-	-	1	1	-	-	-	
17	36AT0014	Kit Lock Lid Cover With Key	-	-	-	1	1	-	-	-	

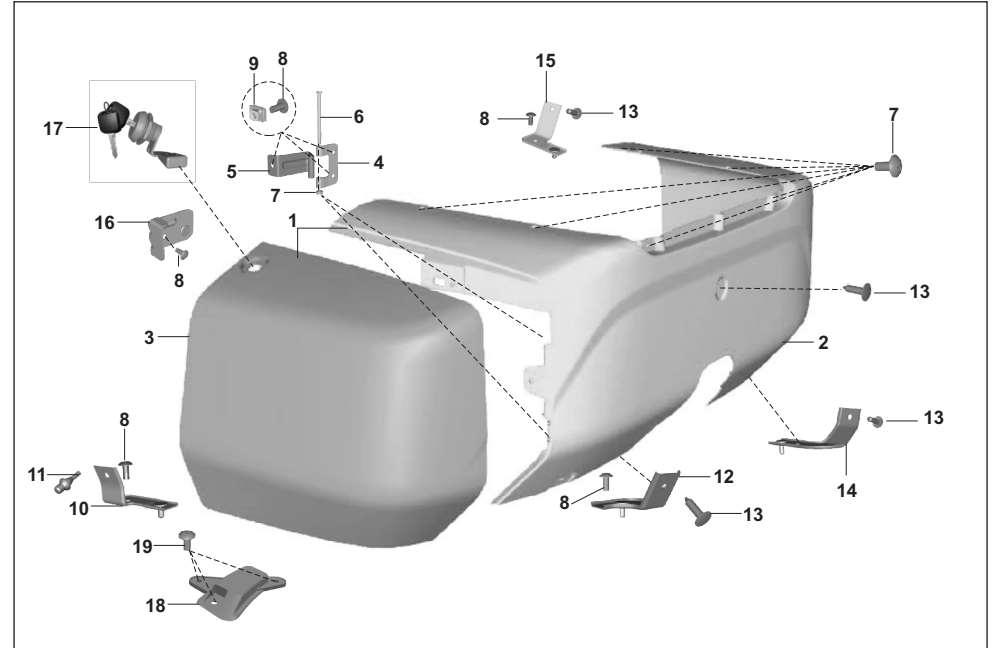
AU - RE PET
AF - RE CNG
AM - RE LPG

AZ - Maxima Z CNG
RA - Maxima ZLPG

AT - Maxima XWIDE CNG
AT1 - Maxima XWIDE LPG
AN - Maxima C CNG

PLATE NO. 73: SEAT COVER - XWIDE

ALTERNATE FUEL
MF & BF OBD2B

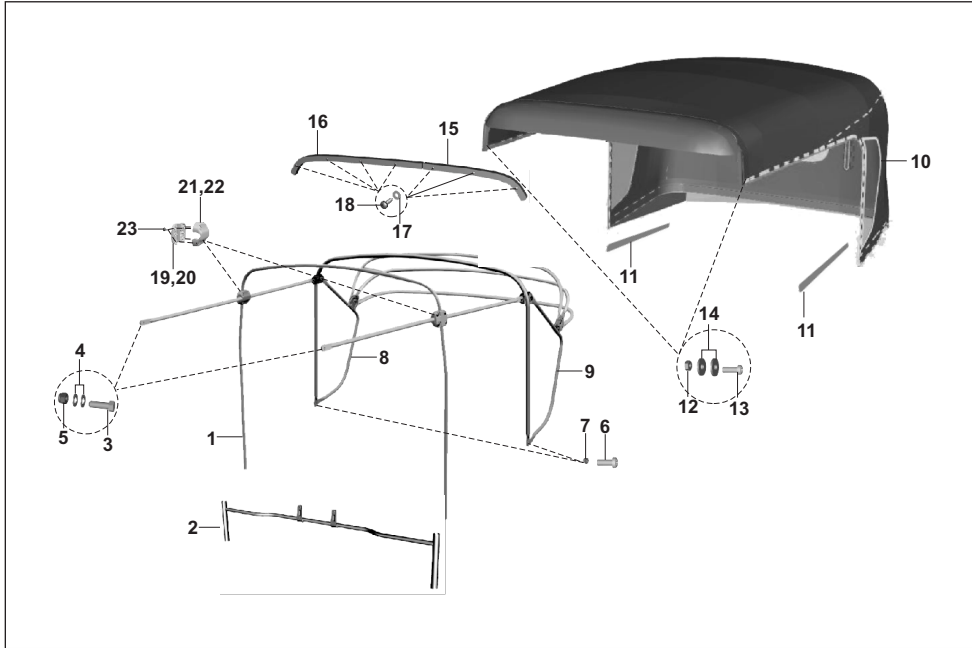


No.	Part No.	Description	RE			Z		XWIDE		C	Remarks
			AU	AF	AM	AZ	RA	AT	AT1	AN	
1	AT181204	Cover Assembly Cylinder	-	-	-	-	-	1	1	-	
2	AT181203	Cover Cylinder	-	-	-	-	-	1	1	-	
3	AT181205	Lid Cover	-	-	-	-	-	1	1	-	
4	AZ181210	Bracket Hinge Cover	-	-	-	-	-	2	2	-	
5	AT181207	Bracket Hinge LID	-	-	-	-	-	2	2	-	
6	LAA00048	Bolt	-	-	-	-	-	2	2	-	
7	KCAC0504	Nut Hex Thick	-	-	-	-	-	2	2	-	
8	KBUC0614	Screw Truss	-	-	-	-	-	14	14	-	
9	5161256	Clip Nut-M6	-	-	-	-	-	6	6	-	
10	AT181211	Bracket Stopper LID	-	-	-	-	-	1	1	-	
11	24230198	Pad Rubber	-	-	-	-	-	2	2	-	
12	AT181210	Bracket Cover Lower RH	-	-	-	-	-	1	1	-	
13	AZ181218	Clip	-	-	-	-	-	4	4	-	
14	AT181209	Bracket Cover Lower LH	-	-	-	-	-	1	1	-	
15	AT181208	Bracket Cover LH	-	-	-	-	-	1	1	-	
16	AT181212	Bracket Lock	-	-	-	-	-	1	1	-	
17	36AT0014	Kit Lock Lid Cover With Key	-	-	-	-	-	1	1	-	
18	AT181206	Bracket LID	-	-	-	-	-	1	1	-	
19	KBUC0614	Screw Truss M6X1	-	-	-	-	-	3	3	-	

AU - RE PET
AF - RE CNG
AM - RE LPG

AZ - Maxima Z CNG
RA - Maxima ZLPG

AT - Maxima XWIDE CNG
AT1 - Maxima XWIDE LPG
AN - Maxima C CNG

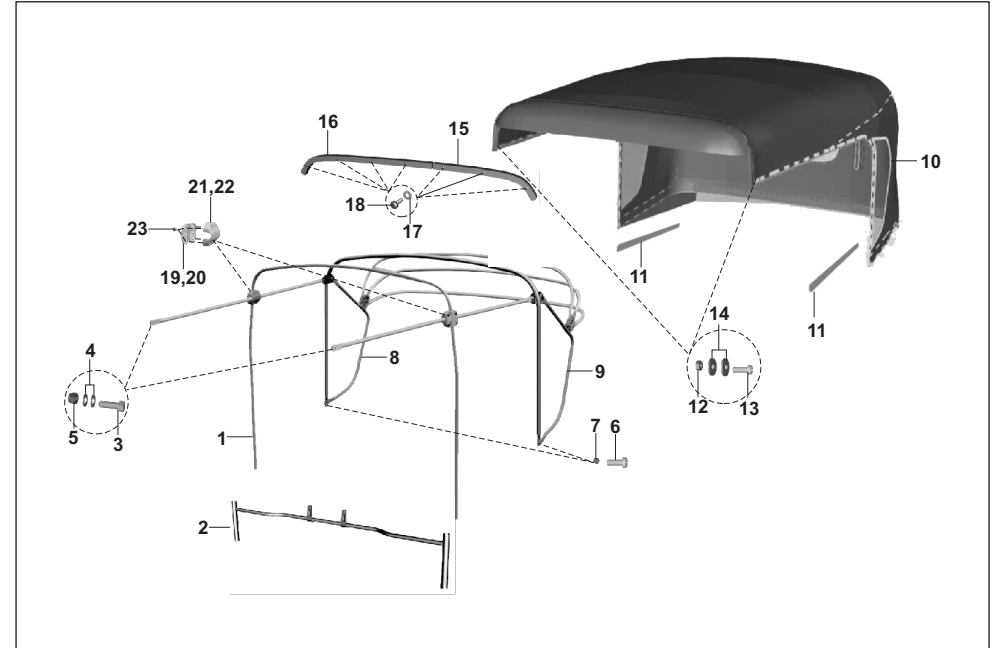


No.	Part No.	Description	RE			Z		XWIDE		C	Remarks
			AU	AF	AM	AZ	RA	AT	AT1	AN	
1	AF231657	Frame Assembly Hood	1	1	1	-	-	-	-	-	
2	AF231720	Tube Assly Support Backrest	1	1	1	-	-	-	-	-	
3	KADD0825	Bolt Flanged	2	2	2	-	-	-	-	-	
4	KDAA0816	Washer_Plain_Small	4	4	4	-	-	-	-	-	
5	KCHA0809	Nut Nyloc	2	2	2	-	-	-	-	-	
6	KBUA0820	Screw Truss	2	2	2	-	-	-	-	-	
7	KCGD0808	Nut Hex Flanged	2	2	2	-	-	-	-	-	
8	AF231832	Tube Assly Pillar C Rear RH	1	1	1	-	-	-	-	-	
9	AF231831	Tube Assly Pillar C Rear LH	1	1	1	-	-	-	-	-	
10	52AU0117	Hood Assembly Black	1	-	-	-	-	-	-	-	
10	52AF0490	Hood Assembly	-	1	1	-	-	-	-	-	
10	52AF0493	Assembly Hood Yellow	1	1	1	-	-	-	-	-	
10	AF231780	Hood Assembly Green	1	1	1	-	-	-	-	-	
10	AF231781	Hood Assembly Mushroom	1	1	1	-	-	-	-	-	
11	24231867	Strip Hood	1	-	-	-	-	-	-	-	
11	24231837	Strip Hood	-	1	1	-	-	-	-	-	

AU - RE PET
AF - RE CNG
AM - RE LPG

AZ - Maxima Z CNG
RA - Maxima Z LPG

AT - Maxima XWIDE CNG
AT1 - Maxima XWIDE LPG
AN - Maxima C CNG



No.	Part No.	Description	RE			Z		XWIDE		C	Remarks
			AU	AF	AM	AZ	RA	AT	AT1	AN	
12	KCAA0403	Nut Hex Thick	2	2	2	-	-	-	-	-	
13	KBBA0412	Screw Pan Cross	2	2	2	-	-	-	-	-	
14	39045411	Plain Washer	4	4	4	-	-	-	-	-	
15	24231772	Assembly Stick Hood I FI	1	1	1	-	-	-	-	-	
16	24231775	Assembly Stick Hood li FI	1	1	1	-	-	-	-	-	
17	KDBB0512	Washer Plain	7	7	7	-	-	-	-	-	
18	KBRA4819	Screw Tapping Pan Cross	7	7	7	-	-	-	-	-	
19	AH213078	Bracket Pillar B Outer LH	1	1	1	-	-	-	-	-	
20	AH213079	Bracket Pillar B Outer RH	1	1	1	-	-	-	-	-	
21	AH213080	Bracket Pillar B Inner RH	1	1	1	-	-	-	-	-	
22	AH213081	Bracket Pillar B Inner LH	1	1	1	-	-	-	-	-	
23	KBUA0616	Screw Truss	12	12	12	-	-	-	-	-	

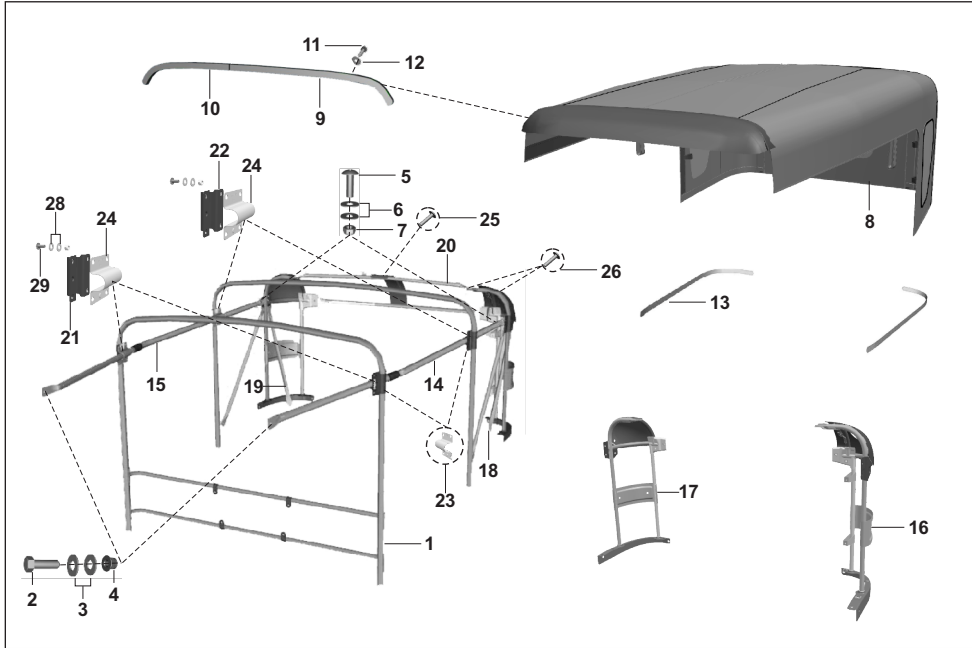
AU - RE PET
AF - RE CNG
AM - RE LPG

AZ - Maxima Z CNG
RA - Maxima Z LPG

AT - Maxima XWIDE CNG
AT1 - Maxima XWIDE LPG
AN - Maxima C CNG

PLATE NO. 75: HOOD FRAME ASSLY - Z

ALTERNATE FUEL
MF & BF OBD2B



No.	Part No.	Description	RE			Z		XWIDE		C	Remarks
			AU	AF	AM	AZ	RA	AT	AT1	AN	
1	AZ211093	Assly hood frame Z	-	-	-	1	1	-	-	-	
2	KAAA0825	Bolt	-	-	-	2	2	-	-	-	
3	KDBB1022	Washer_plain	-	-	-	4	4	-	-	-	
4	KCKA0811	Nut nyloc flanged	-	-	-	2	2	-	-	-	
5	KBUA0620	Screw truss	-	-	-	12	12	-	-	-	
6	39130911	Plain washer	-	-	-	12	12	-	-	-	
7	39135315	Nut nyloc M6X1	-	-	-	22	22	-	-	-	
8	52BH0443	Hood Assembly Black	-	-	-	1	1	-	-	-	
8	52BH0445	Hood Assembly Yellow	-	-	-	1	1	-	-	-	
8	52BH0446	Hood Assembly Mushroom	-	-	-	1	1	-	-	-	
9	24231772	Stick assembly - hood	-	-	-	1	1	-	-	-	
10	24231775	Stick assembly - hood	-	-	-	1	1	-	-	-	
11	KBRA4819	Screw tapping pan cross	-	-	-	7	7	-	-	-	
12	KDBB0512	Washer Plain	-	-	-	7	7	-	-	-	
13	24231871	Strip Hood Fixing	-	-	-	2	2	-	-	-	
14	AZ211094	Assely Hood Pipe Side LH UG	-	-	-	1	1	-	-	-	
15	AZ211098	Assly Hood Pipe Side RH UG	-	-	-	1	1	-	-	-	

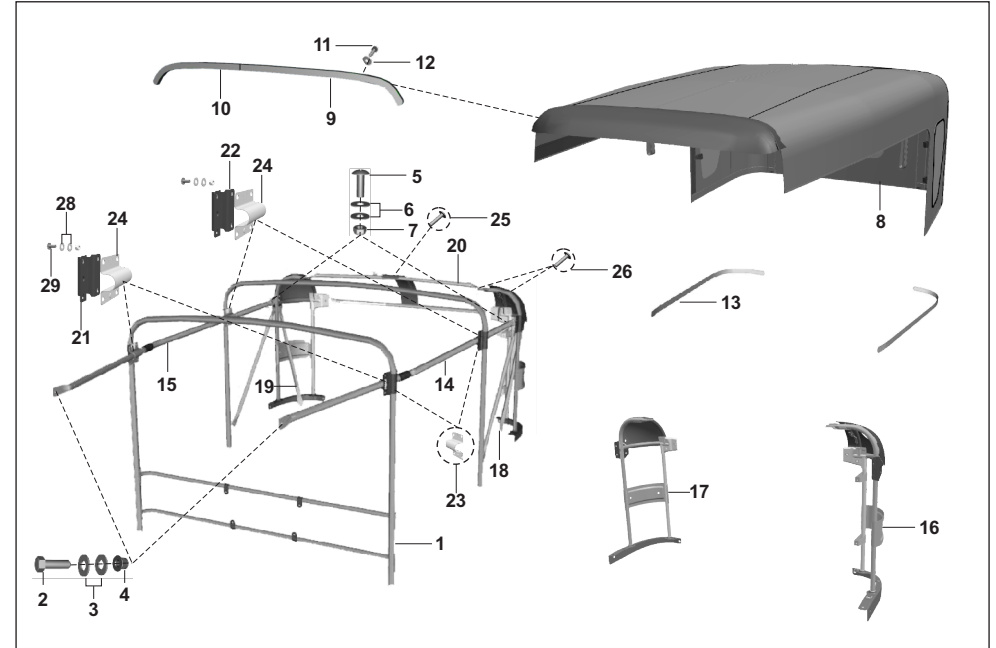
AU - RE PET
AF - RE CNG
AM - RE LPG

AZ - Maxima Z CNG
RA - Maxima ZLPG

AT - Maxima XWIDE CNG
AT1 - Maxima XWIDE LPG
AN - Maxima C CNG

PLATE NO. 75: HOOD FRAME ASSLY - Z

ALTERNATE FUEL
MF & BF OBD2B

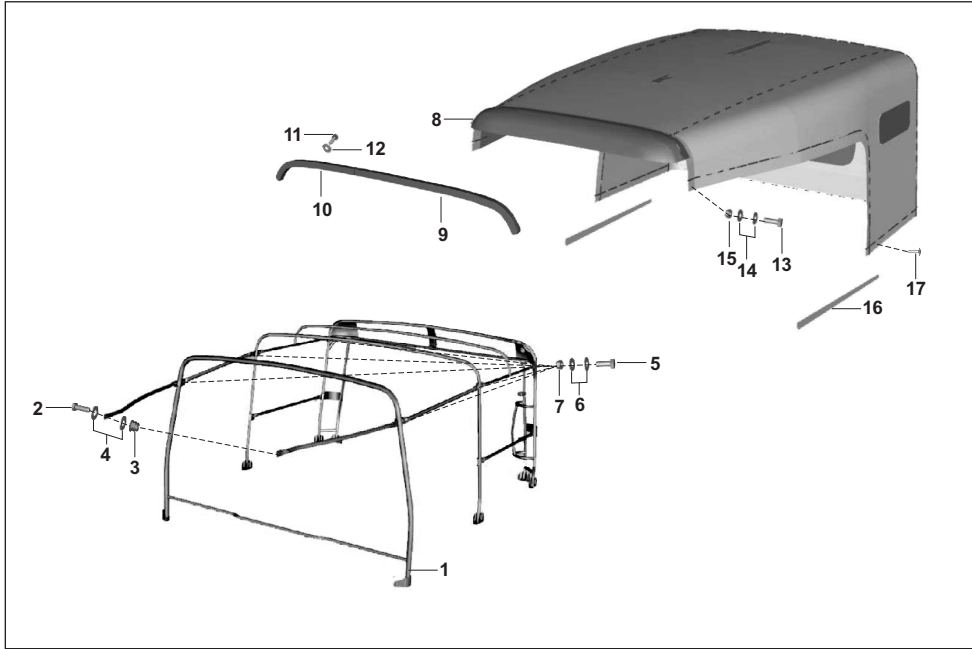


No.	Part No.	Description	RE			Z		XWIDE		C	Remarks
			AU	AF	AM	AZ	RA	AT	AT1	AN	
16	AZ213050	Pillar Assembly D LH	-	-	-	1	1	-	-	-	
17	AZ213051	Pillar Assembly D RH	-	-	-	1	1	-	-	-	
18	AZ213025	Pipe Support D Pillar LH UG	-	-	-	1	1	-	-	-	
19	AZ213026	Pipe Support D Pillar RH UG	-	-	-	1	1	-	-	-	
20	AZ213031	Tube Cross Pillar D	-	-	-	2	2	-	-	-	
21	AZ213047	Bracket Pillar B Outer	-	-	-	2	2	-	-	-	
22	AZ213028	Bracket Pillar C Outer	-	-	-	2	2	-	-	-	
23	AZ213045	Bracket Pillar Inner LH	-	-	-	2	2	-	-	-	
24	AZ213046	Bracket Pillar Inner RH	-	-	-	2	2	-	-	-	
25	KBRA4213	Screw Tapping Pan Cross	-	-	-	6	6	-	-	-	
26	KBUA0825	Screw Truss M8X1.25	-	-	-	4	4	-	-	-	
27	KCHA0608	Nut Nyloc	-	-	-	2	2	-	-	-	
28	LDB00023	Washer Plain	-	-	-	32	32	-	-	-	
29	KBUA0614	Screw Truss M6X1	-	-	-	16	16	-	-	-	
30	52BH0443	Hood Assely Complete - Z	-	-	-	1	1	-	-	-	(with tape)

AU - RE PET
AF - RE CNG
AM - RE LPG

AZ - Maxima Z CNG
RA - Maxima ZLPG

AT - Maxima XWIDE CNG
AT1 - Maxima XWIDE LPG
AN - Maxima C CNG

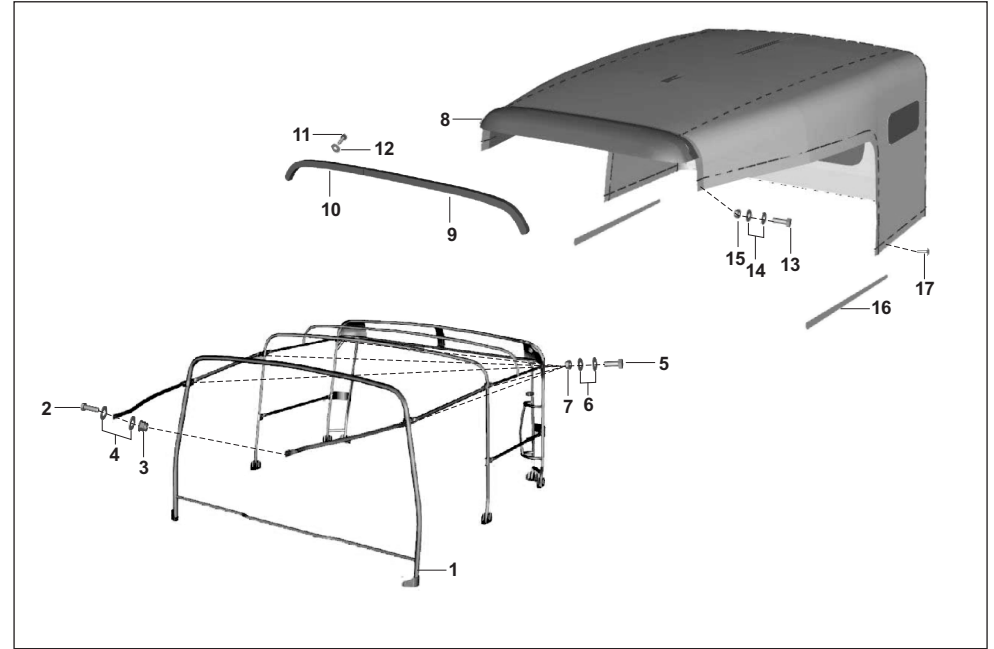


No.	Part No.	Description	RE			Z			XWIDE		C	Remarks
			AU	AF	AM	AZ	RA	AT	AT1	AN		
1	AT211371	Frame Assembly Hood	-	-	-	-	-	1	1	-		
2	KAAA0825	Bolt	-	-	-	-	-	2	2	-		
3	KCKA0811	Nut Nyloc Flanged	-	-	-	-	-	2	2	-		
4	KDBB1022	Washer_plain	-	-	-	-	-	4	4	-		
5	KAAD0618	Bolt	-	-	-	-	-	14	14	-		
6	LDB00023	Plain Washer	-	-	-	-	-	28	28	-		
7	39135315	Nut Nyloc M6X1	-	-	-	-	-	14	14	-		
8	AT186001	Assembly Hood	-	-	-	-	-	1	1	-		
8	AT213062	Hood Assembly White	-	-	-	-	-	1	1	-		
8	AT213060	Hood Assembly Yellow	-	-	-	-	-	1	1	-		
8	AT213061	Hood Assembly Green	-	-	-	-	-	1	1	-		
9	24231772	Assembly Stick Hood I FL	-	-	-	-	-	1	1	-		
10	24231775	Assembly Stick Hood II FL	-	-	-	-	-	1	1	-		
11	KBRA4819	Screw Tapping Pan Cross	-	-	-	-	-	7	7	-		
12	KDBB0512	Washer Plain	-	-	-	-	-	7	7	-		
13	KBBA0412	Screw Pan Cross	-	-	-	-	-	2	2	-		

AU - RE PET
AF - RE CNG
AM - RE LPG

AZ - Maxima Z CNG
RA - Maxima Z LPG

AT - Maxima XWIDE CNG
AT1 - Maxima XWIDE LPG
AN - Maxima C CNG



No.	Part No.	Description	RE			Z			XWIDE		C	Remarks
			AU	AF	AM	AZ	RA	AT	AT1	AN		
14	39045411	Plain Washer	-	-	-	-	-	4	4	-		
15	KCAA0403	Nut Hexagon M4X0.7	-	-	-	-	-	2	2	-		
16	AT186003	Strip Hood	-	-	-	-	-	2	2	-		
17	24231630	Screw Self Drill BH 3.5X16X15	-	-	-	-	-	14	14	-		

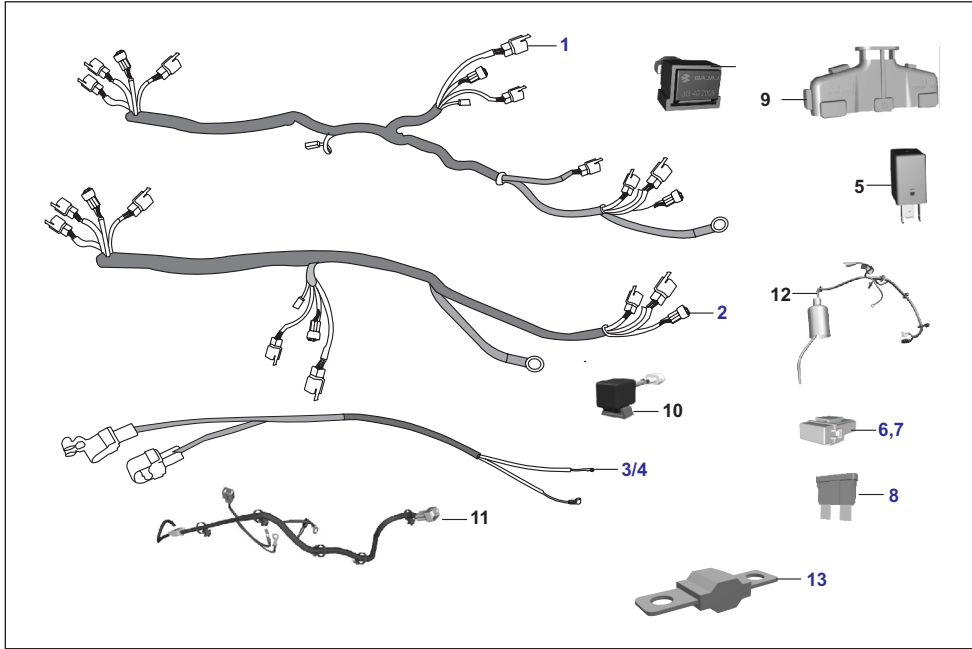
AU - RE PET
AF - RE CNG
AM - RE LPG

AZ - Maxima Z CNG
RA - Maxima Z LPG

AT - Maxima XWIDE CNG
AT1 - Maxima XWIDE LPG
AN - Maxima C CNG

PLATE NO. 77: HARNESS

ALTERNATE FUEL
MF & BF OBD2B



No.	Part No.	Description	RE		Z		XWIDE		C	Remarks
			AU	AF	AM	AZ	RA	AT	AT1	
1	AU380600	Harness Wiring Front PET	1	-	-	-	-	-	-	
1	AF201523	Harness Wiring Front	-	1	-	-	-	-	-	
1	AM201368	Harness Wiring Front	-	-	1	-	-	-	-	
1	AZ380602	Harness Wiring Front	-	-	-	1	-	1	-	
1	RA380606	Harness Wiring Front	-	-	-	-	1	-	1	
2	AU380601	Harness Wiring Rear PET	1	-	-	-	-	-	-	
2	AF201524	Harness Wiring Rear	-	1	-	-	-	-	-	
2	AM201369	Harness Wiring Rear	-	-	1	-	-	-	-	
2	AZ380603	Harness Wiring Rear	-	-	-	1	-	-	-	
2	RA380607	Harness Wiring Rear	-	-	-	-	1	-	-	
2	AT380607	Harness Wiring Rear	-	-	-	-	-	1	-	
2	AT380602	Harness Wiring Rear	-	-	-	-	-	-	1	
2	AT402323	Harness Wiring Rear	-	-	-	-	-	-	1	
3	AT402331	Cable Battery	-	-	-	-	-	1	1	
4	AA201391	Cable Battery Negative	1	1	1	-	-	-	-	
5	JL403000	Interlock Relay	2	2	2	2	2	2	2	

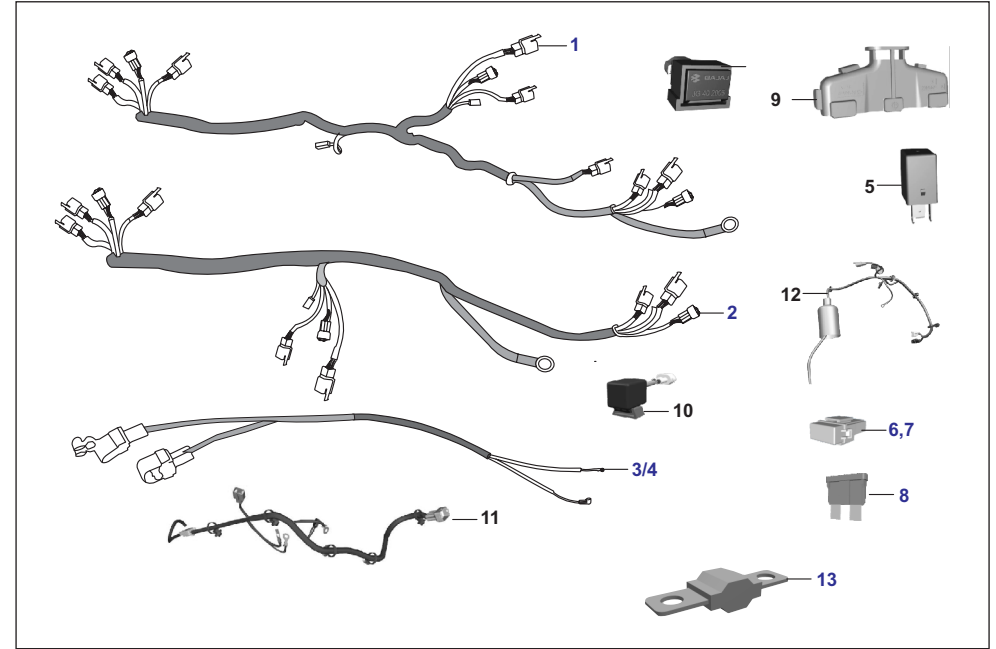
AU - RE PET
AF - RE CNG
AM - RE LPG

AZ - Maxima Z CNG
RA - Maxima Z LPG

AT - Maxima XWIDE CNG
AT1 - Maxima XWIDE LPG
AN - Maxima C CNG

PLATE NO. 77: HARNESS

ALTERNATE FUEL
MF & BF OBD2B



No.	Part No.	Description	RE		Z		XWIDE		C	Remarks
			AU	AF	AM	AZ	RA	AT	AT1	
6	CX201014	Fuse Box	1	1	1	1	1	1	1	
7	AU402204	Box Assembly Fuse Lt	1	1	1	1	1	1	1	
8	AK201012	Fuse 10A	1	1	1	1	1	1	1	
9	JY402251	Cap Harness ECU	1	1	1	1	1	1	1	
10	AF201332	Unit Resistor	-	1	1	1	1	1	1	
11	AA201753	Harness Wiring Body	1	-	-	-	-	-	-	
12	AF201486	Harness Wiring Body	-	1	1	-	-	-	-	
13	BF404048	Fuse 60A	-	-	-	-	-	1	1	1

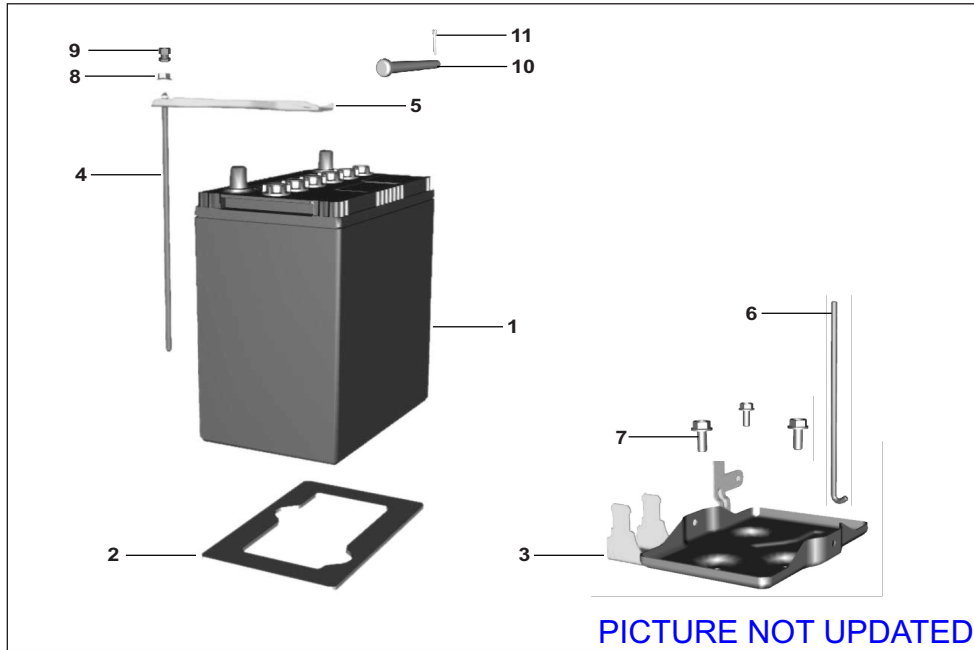
AU - RE PET
AF - RE CNG
AM - RE LPG

AZ - Maxima Z CNG
RA - Maxima Z LPG

AT - Maxima XWIDE CNG
AT1 - Maxima XWIDE LPG
AN - Maxima C CNG

PLATE NO. 78: BATTERY

ALTERNATE FUEL
MF & BF OBD2B



No.	Part No.	Description	RE			Z		XWIDE		C	Remarks
			AU	AF	AM	AZ	RA	AT	AT1	AN	
1	BA201001	Battery	1	1	1	1	1	1	1	1	
2	24201564	Packing Rubber - Battery 32 AH	1	1	1	1	1	1	1	-	
3	AF161868	Tray Assembly Battery	1	1	1	1	-	-	-	-	
4	AN161074	Clamp Assembly Battery	1	1	1	1	-	-	-	1	
4	AZ111109	Rod Battery	-	-	-	1	1	-	-	-	
4	AT111219	Rod Assembly Battery	-	-	-	-	-	1	1	-	
5	AZ111112	Bracket Clamp Battery	-	-	-	1	1	-	-	-	
5	AT111105	Clamp Battery Mtg	-	-	-	-	-	1	1	-	
6	AN161075	Rod Tie Battery	1	1	1	-	-	-	-	1	
7	KADA0616	Bolt Flanged M6X1	3	3	3	3	3	3	3	-	
8	DG191064	Nut Flanged	1	1	1	-	-	-	-	1	
8	LCA00011	Nut Hex Thik	-	-	-	1	1	-	-	-	
9	BB161296	Nut	-	-	-	-	-	1	1	-	
10	BF247003	Pin	-	-	-	1	1	-	-	-	
11	KHAE2012	Pin Cotter	-	-	-	1	1	-	-	-	

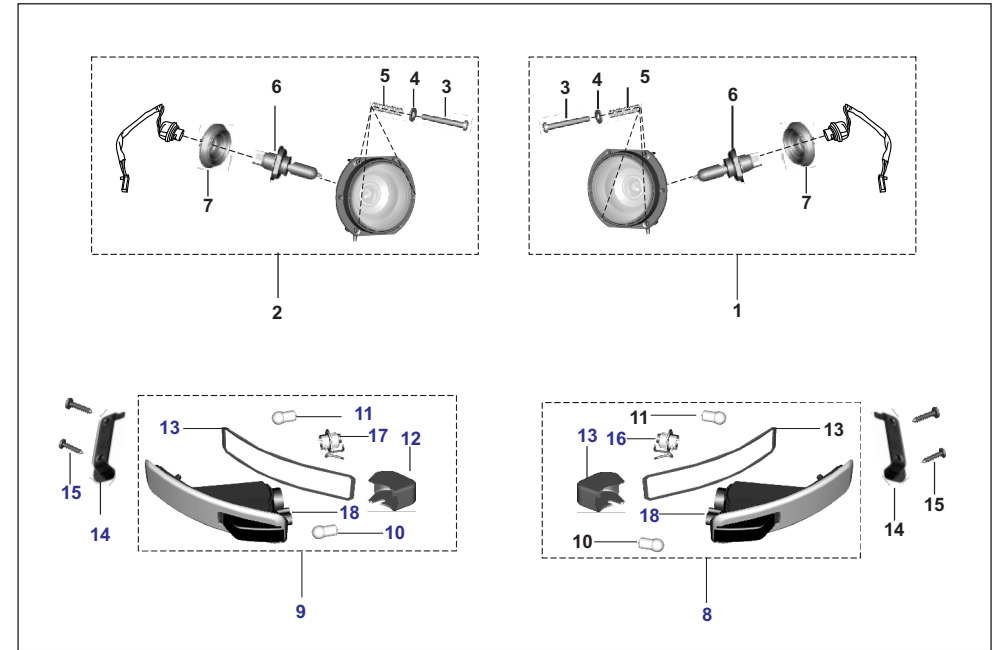
AU - RE PET
AF - RE CNG
AM - RE LPG

AZ - Maxima Z CNG
RA - Maxima ZLPG

AT - Maxima XWIDE CNG
AT1 - Maxima XWIDE LPG
AN - Maxima C CNG

PLATE NO. 79: HEAD LIGHT ASSLY & BLINKERS

ALTERNATE FUEL
MF & BF OBD2B



No.	Part No.	Description	RE			Z		XWIDE		C	Remarks
			AU	AF	AM	AZ	RA	AT	AT1	AN	
1	AL201119	Lamp Head LH	1	1	1	1	1	-	-	-	
1	BB201078	Light Assy Head LH With Lamp	-	-	-	-	-	1	1	1	
2	AL201120	Lamp Head RH	1	1	1	1	1	-	-	-	
2	BB201079	Light Assy Head RH With Lamp	-	-	-	-	-	1	1	1	
3	AA201264	Screw Pan Cross	6	6	6	6	6	6	6	6	
4	39025811	Plain Washer	6	6	6	6	6	6	6	6	
5	BB201070	Spring Head Lamp Mounting	6	6	6	6	6	6	6	6	
6	CL201023	Lamp 12V 35X35W	1	1	1	1	1	1	1	1	
7	AA201262	Rubber Cap Headlamp	1	1	1	1	1	1	1	1	
8	24201487	Ind Assly. Front LH/ Lamp	1	1	1	1	1	1	1	1	
9	24201488	Ind Assly. Front RH/ Lamp	1	1	1	1	1	1	1	1	
10	DL191020	Lamp 12V 3W	1	1	1	1	1	1	1	1	
11	JD401032	Bulb 12V 5W E-Marked	-	-	-	2	2	-	-	-	
12	18201044	Lamp :- 12V - 10W - R 10W	2	2	2	2	2	2	2	2	
13	24201484	Gasket Front Side Indicator	2	2	2	2	2	2	2	2	
14	24201523	Holder Front Indicator Assy	2	2	2	2	2	2	2	2	
15	KBRC3516	Screw Tapping Pan Cross	4	4	4	4	4	4	4	4	
16	24201502	Cable Fr Indi With Holder LH	1	1	1	1	1	1	1	1	
17	24201503	Cable Fr Indi With Holder RH	1	1	1	1	1	1	1	1	
18	24201504	Assembly Lens & Rfltr FR	2	2	2	2	2	2	2	2	

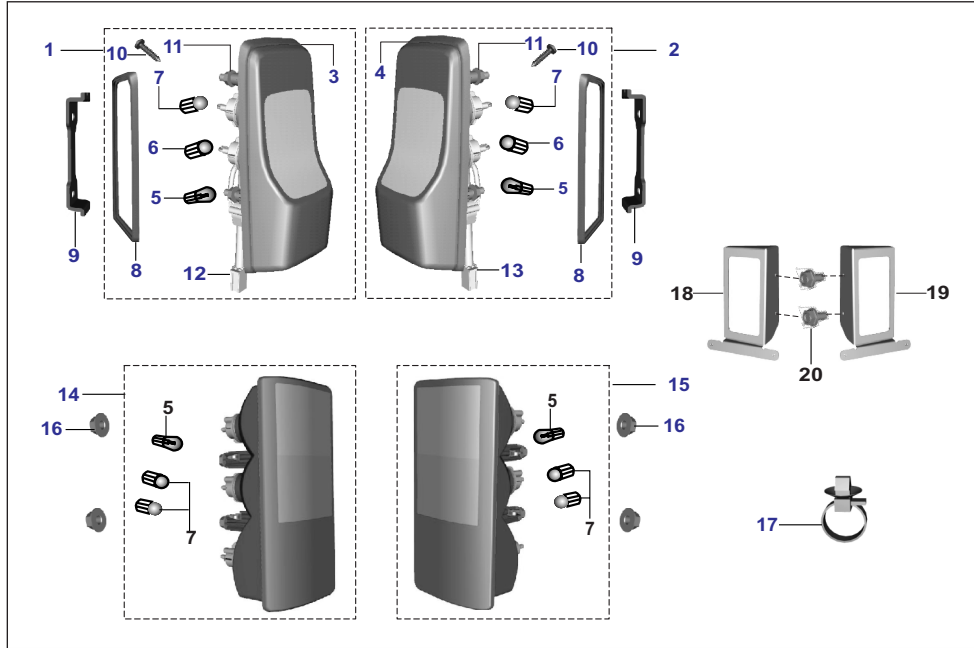
AU - RE PET
AF - RE CNG
AM - RE LPG

AZ - Maxima Z CNG
RA - Maxima ZLPG

AT - Maxima XWIDE CNG
AT1 - Maxima XWIDE LPG
AN - Maxima C CNG

PLATE NO. 80: TAIL LAMP

ALTERNATE FUEL
MF & BF OBD2B



No.	Part No.	Description	RE			Z		XWIDE		C	Remarks
			AU	AF	AM	AZ	RA	AT	AT1	AN	
1	BB201104	Lamp Assembly Tail-LH	1	1	1	-	-	1	1	1	
2	BB201105	Lamp Assembly Tail-RH	1	1	1	-	-	1	1	1	
3	24201477	Lens Tail Light LH Refl	2	2	2	-	-	2	2	2	
4	24201499	Lens Tail Light RH Refl	1	1	1	-	-	1	1	1	
5	20201029	Lamp 12V 21/5W	2	2	2	2	2	2	2	2	
6	GH201012	Lamp 12V-10W	2	2	2	2	2	2	2	2	
7	18201044	Lamp :- 12V - 10W - R 10W	2	2	2	2	2	2	2	2	
8	24201476	Gasket Tail Light Assembly Refl	2	2	2	-	-	2	2	2	
9	AA201090	Bracket Mounting Tail Light	4	4	4	-	-	4	4	4	
10	KBRA4219	Screw Tapping Pan Cross	8	8	8	-	-	8	8	8	
11	KCGD0606	Nut Hex Flanged	8	8	8	-	-	8	8	8	
12	BB201109	Cable Taillamp With Holder LH	2	2	2	-	-	2	2	2	
13	BB201110	Cable Taillamp With Holder RH	2	2	2	-	-	2	2	2	
14	AZ401001	Assembly Taillamp LH	-	-	-	1	1	-	-	-	
15	AZ401002	Assembly Taillamp RH	-	-	-	1	1	-	-	-	
16	39238315	Hex Nut Flange-M8	-	-	-	4	4	4	4	-	
17	60111420	Cable Tie Lock	2	2	2	2	2	2	2	2	
18	AT111137	Bracket Lamp Tail LH	-	-	-	-	-	1	1	1	
19	AT111138	Bracket Assembly Lamp Tail RH	-	-	-	-	-	1	1	1	
20	KADA0814	Bolt Flanged	-	-	-	-	-	4	4	4	

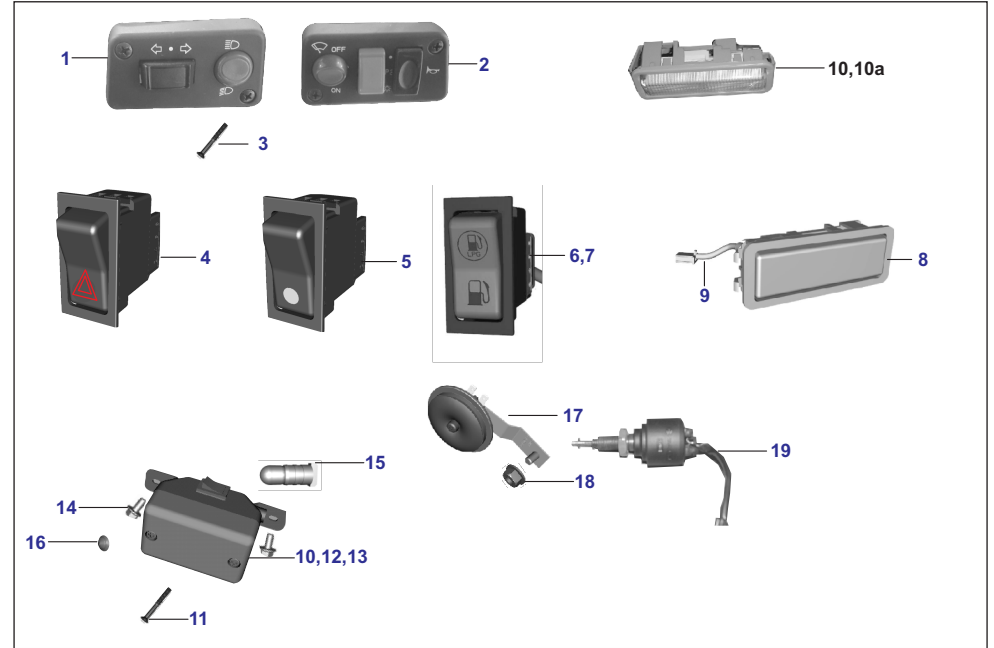
AU - RE PET
AF - RE CNG
AM - RE LPG

AZ - Maxima Z CNG
RA - Maxima Z LPG

AT - Maxima XWIDE CNG
AT1 - Maxima XWIDE LPG
AN - Maxima C CNG

PLATE NO. 81: SWITCHES

ALTERNATE FUEL
MF & BF OBD2B



No.	Part No.	Description	RE			Z		XWIDE		C	Remarks
			AU	AF	AM	AZ	RA	AT	AT1	AN	
1	AF201334	Switch Control LH	1	1	1	1	1	1	1	1	
2	AZ401402	Switch Control RH	1	1	1	1	1	1	1	1	
3	AL201062	Screw Switch	4	4	4	4	4	4	4	4	
4	AB201077	Hazard Switch	1	1	1	1	1	1	1	1	
5	AL201031	Switch 2 Position	1	1	1	1	1	1	1	1	
6	AF201298	Switch Selector Fuel-CNG	-	1	-	1	-	1	-	1	
7	AM201225	Switch Selector Fuel- LPG	-	-	1	-	1	-	1	-	
8	24201415	Cabin Light Assly With Lamp	1	1	1	-	-	-	-	-	
9	24201416	Cable Assembly(Cabin Light)	1	1	1	-	-	-	-	-	
10	AA201305	Lamp Engine Cabin Re Compact	1	1	1	-	-	-	-	-	
11	LBU00063	Screw Truss	2	2	2	-	-	-	-	-	
12	AL201039	Lamp (Light) Assembly - Cabin	-	-	-	1	1	1	1	1	
13	AP201058	Cabin Light Assembly	-	-	-	1	1	1	1	1	
14	KADA0510	Bolt Flanged	2	2	2	2	2	2	2	2	
15	24201515	Bulb 12V,10W,Capless Cabin	1	1	1	1	1	1	1	1	
16	BH111092	Grommet Wiring Harness	2	2	2	2	2	2	2	2	
17	AA201239	Horn Dc 12V With Transil Diode	1	1	1	1	1	1	1	1	
18	39229515	Nut Flanged	1	1	1	1	1	1	1	1	
19	AF201094	Switch Brake Sealed Design	1	1	1	1	1	1	1	1	

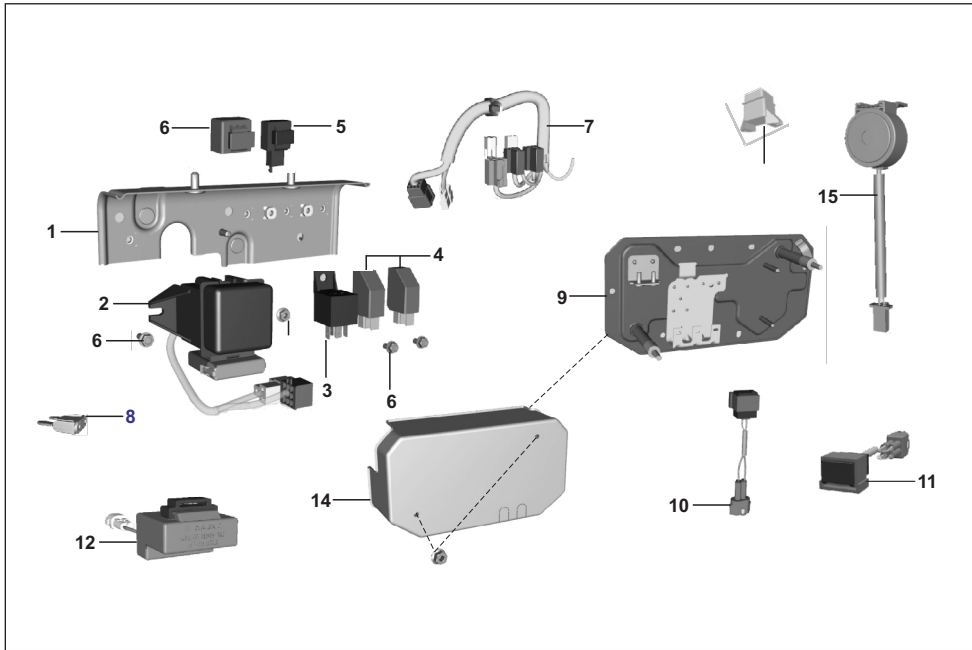
AU - RE PET
AF - RE CNG
AM - RE LPG

AZ - Maxima Z CNG
RA - Maxima Z LPG

AT - Maxima XWIDE CNG
AT1 - Maxima XWIDE LPG
AN - Maxima C CNG

PLATE NO. 82: ELECTRICAL PLATE

ALTERNATE FUEL
MF & BF OBD2B



No.	Part No.	Description	RE		Z		XWIDE		C	Remarks
			AU	AF	AM	AZ	RA	AT	AT1	
1	AP201037	Plate Assy Electrical Front Pet	1	-	-	-	-	-	-	
1	AF161679	Plate Assly Electrical	-	1	1	1	1	1	1	
2	AA201582	Box Assembly Fuse Pet	1	-	-	-	-	-	-	
2	AZ402258	Box Assembly Fuse	-	1	1	1	1	1	1	
3	AF201001	Relay	-	1	-	1	-	1	-	
4	AL201012	Relay Head Light	2	2	2	2	2	2	2	
5	AB201076	Flasher Hazard-Dc	1	1	1	1	1	1	1	
6	KADA0510	Bolt Flanged	3	3	3	3	3	3	3	
7	AM201141	Cable Plate Electrical Front PET	1	-	-	-	-	-	-	
7	AF201468	Cable Plate Electrical Front CNG	-	1	-	1	-	1	-	
7	AM201261	Cable Plate Electrical Front LPG	-	-	1	-	1	-	1	
8	AK201012	Fuse Blade Type 10 Amp	8	8	8	8	8	8	8	
9	AA161656	Plate Assembly Electrical Rear	1	-	-	-	-	-	-	
9	AF161872	Plate Electrical Rear	-	1	1	-	-	-	-	
9	AT113850	Plate Assembly Electrical Rear	-	-	-	-	1	1	1	
10	AA201382	Unit Transil	1	1	1	1	1	1	1	

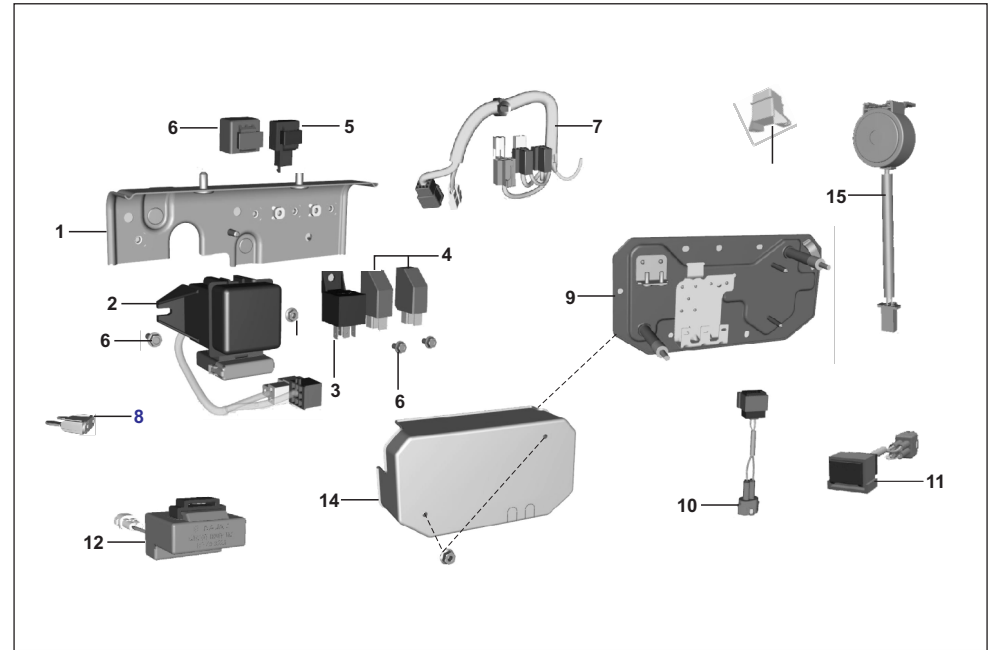
AU - RE PET
AF - RE CNG
AM - RE LPG

AZ - Maxima Z CNG
RA - Maxima Z LPG

AT - Maxima XWIDE CNG
AT1 - Maxima XWIDE LPG
AN - Maxima C CNG

PLATE NO. 82: ELECTRICAL PLATE

ALTERNATE FUEL
MF & BF OBD2B

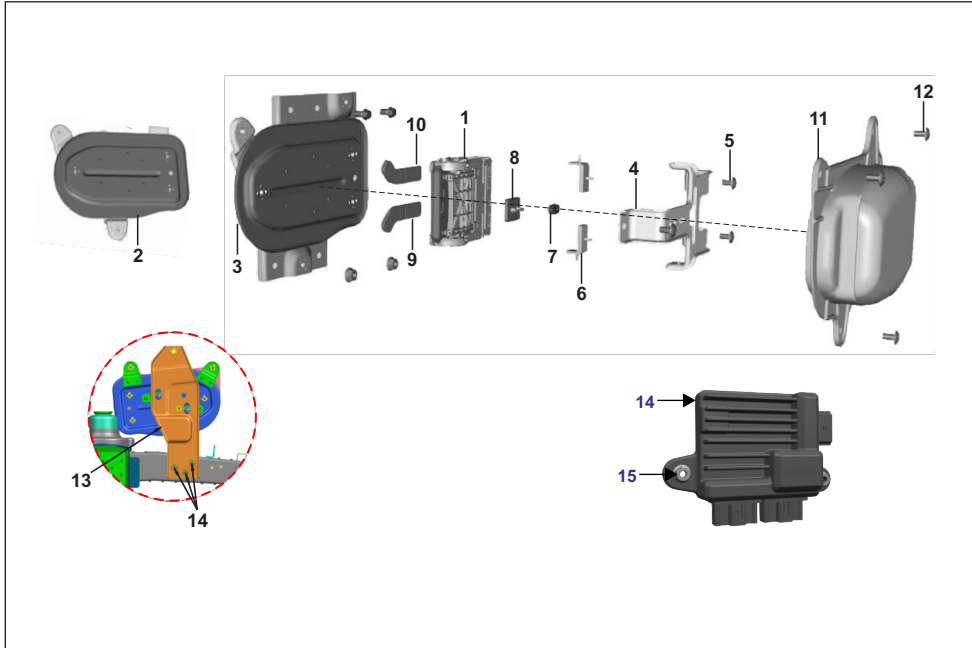


No.	Part No.	Description	RE		Z		XWIDE		C	Remarks
			AU	AF	AM	AZ	RA	AT	AT1	
11	AA201538	Unit Transil Pet	1	-	-	-	-	-	-	
11	AF201533	Unit Transil	-	1	1	1	1	1	1	
12	AF201326	Unit Injector Driver	-	1	-	1	-	1	1	
12	AM201237	Unit Injector Driver	-	-	1	-	1	-	-	
13	AA161283	Cover Rear Electrical Plate	-	-	-	-	-	1	1	
14	AA161081	Packing Cover	-	-	-	-	-	1	1	NI
15	AF201349	Beeper Bf	-	1	1	1	1	1	1	

AU - RE PET
AF - RE CNG
AM - RE LPG

AZ - Maxima Z CNG
RA - Maxima Z LPG

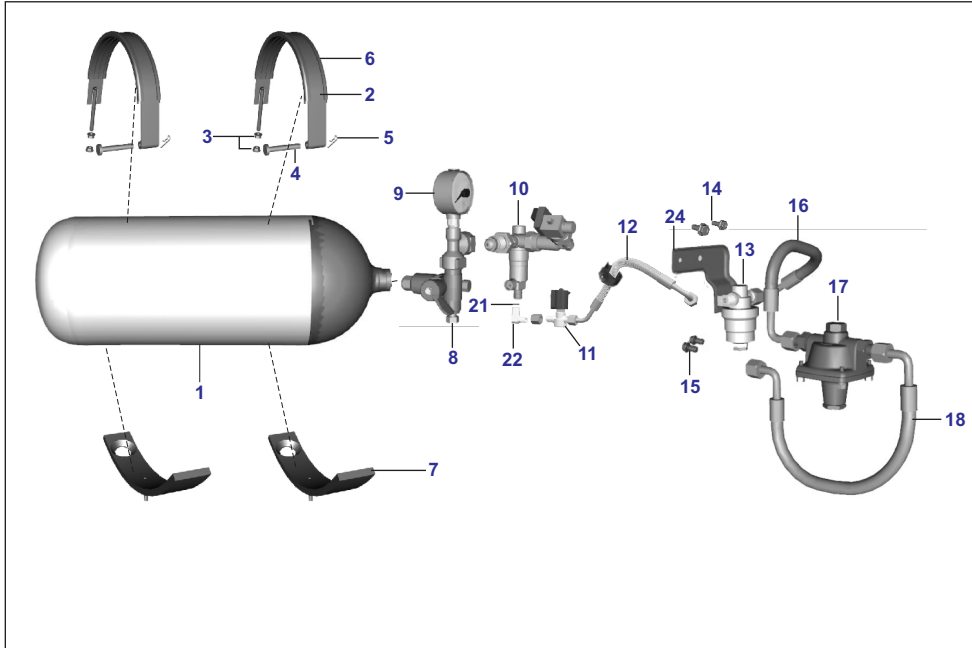
AT - Maxima XWIDE CNG
AT1 - Maxima XWIDE LPG
AN - Maxima C CNG



No.	Part No.	Description	RE			Z		XWIDE		C	Remarks
			AU	AF	AM	AZ	RA	AT	AT1	AN	
1	JR351545	ECU EMS	1	1	1	1	1	1	1	1	
2	AA161375	Bracket ECU Lower	1	1	1	1	1	-	-	-	
3	AN161356	Bracket Assembly ECU	-	-	-	-	-	1	1	1	
4	BF211941	Bracket ECU Upper	1	1	1	1	1	1	1	1	
5	KBUC0510	Screw-Truss-Kbu	2	2	2	2	2	2	2	2	
6	BF351262	Pad ECU	2	2	2	2	2	2	2	2	
7	JY113877	Damper ECU Locator	1	1	1	1	1	1	1	1	
8	JY113874	Damper ECU C Sample Mtg Top	1	1	1	1	1	1	1	1	
9	JY113873	Pad Resting ECU C Sample RH	1	1	1	1	1	1	1	1	
10	JY113872	Pad Resting ECU C Sample LH	1	1	1	1	1	1	1	1	
11	AA161363	Cover ECU	1	1	1	1	1	1	1	1	
12	KBUA0510	Screw Truss	3	3	3	3	3	3	3	3	
13	AA161348	Bracket ECU	1	1	1	-	-	-	-	-	
14	KADA0616	Bolt Flanged	3	3	3	-	-	-	-	-	
14	AF111133	Unit ISG	1	1	1	-	-	-	-	1	
14	AZ403211	Unit ISG	-	-	-	1	1	-	-	-	
14	AT403226	Unit ISG	-	-	-	-	-	1	1	-	
15	KCGA0606	Nut Hex Flanged M6X1	2	2	2	2	2	2	2	2	



No.	Part No.	Description	RE			Z		XWIDE		C	Remarks
			AU	AF	AM	AZ	RA	AT	AT1	AN	

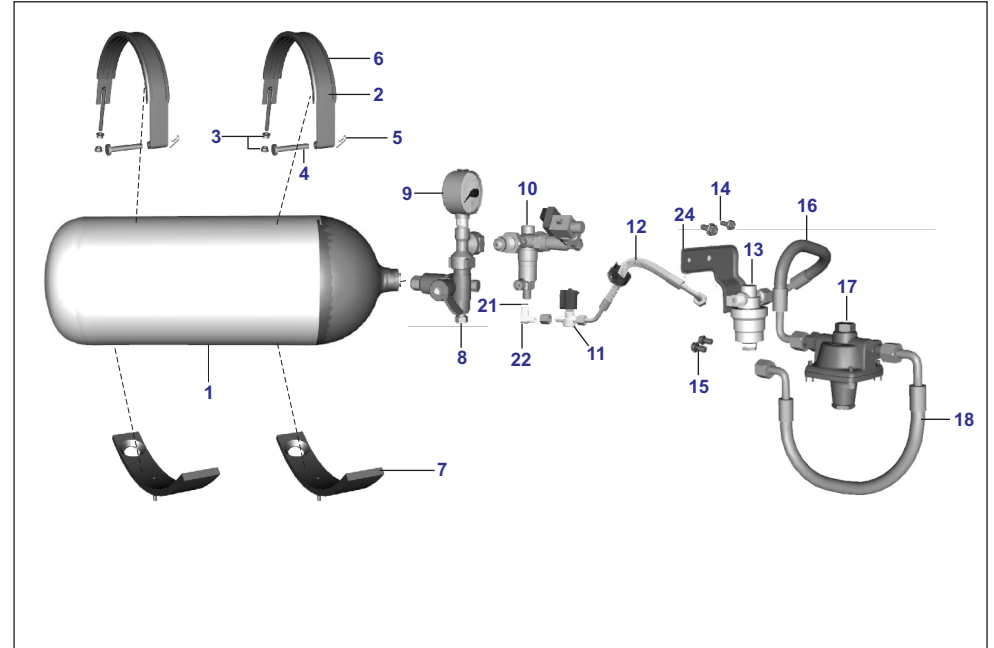


No.	Part No.	Description	RE		Z		XWIDE		C	Remarks
			AU	AF	AM	AZ	RA	AT	AT1	
1	AF141085	Cylinder CNG	-	1	-	-	-	-	-	
2	AF161098	Assly strap	-	2	-	-	-	-	-	
3	KCGD1010	Hexagon nut	-	4	-	-	-	-	-	
4	AF161059	Pin for cylinder clamping strip	-	2	-	-	-	-	-	
5	24141091	Clip spring	-	2	-	-	-	-	-	
6	AF161097	Beading for strap	-	1	-	-	-	-	-	
7	AF161100	Packing lower for gas cylinder	-	2	-	-	-	-	-	
8	AF141122	Valve CNG Vanaz	-	1	-	-	-	-	-	
9	24201333	Gauge Pressure CNG Level Vanaz	-	1	-	-	-	-	-	
10	AF141112	Regulator High Pressure Vanaz	-	1	-	-	-	-	-	
11	AF141099	Solenoid	-	1	-	-	-	-	-	
12	AF141108	Hose Solenoid-filter Vanaz	-	1	-	-	-	-	-	
13	AF141100	Filter	-	1	-	-	-	-	-	
14	KADD0816	Bolt Flanged	-	2	-	-	-	-	-	
15	KAED0610	Bolt-flanged-small	-	2	-	-	-	-	-	
16	AF141150	Hose Filter - LPR	-	1	-	-	-	-	-	

AU - RE PET
AF - RE CNG
AM - RE LPG

AZ - Maxima Z CNG
RA - Maxima ZLPG

AT - Maxima XWIDE CNG
AT1 - Maxima XWIDE LPG
AN - Maxima C CNG

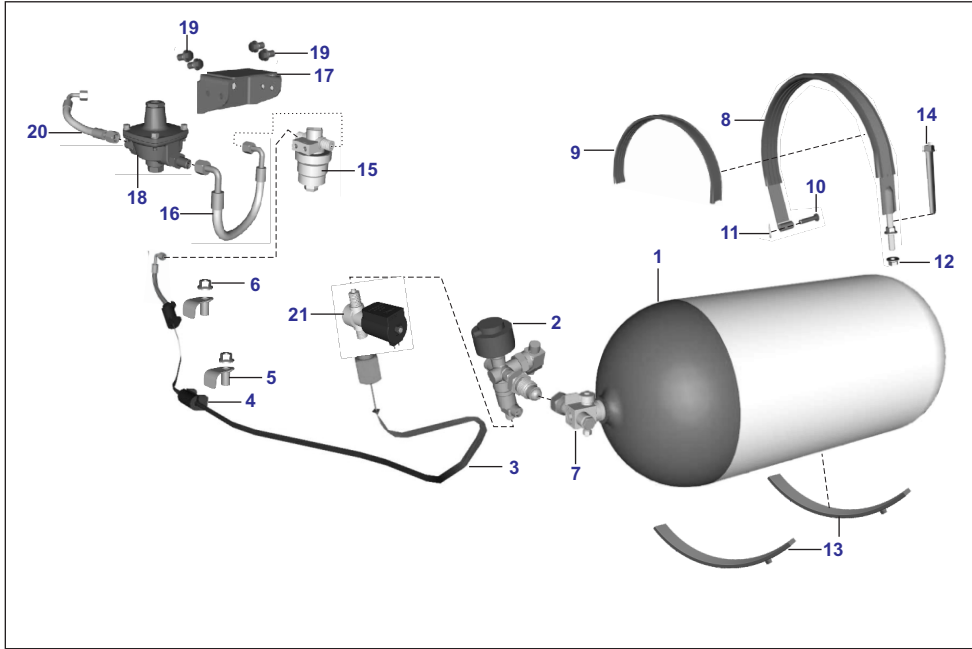


No.	Part No.	Description	RE		Z		XWIDE		C	Remarks
			AU	AF	AM	AZ	RA	AT	AT1	
17	AF141111	Regulator Low Pressure CNG	-	1	-	-	-	-	-	
18	AF141244	Hose LPR - Rail	-	1	-	-	-	-	-	
19	36AF0057	Diaphragm Assly Kit	-	1	-	-	-	-	-	
20	36AF0030	Solenoid Filter CNG	-	1	-	-	-	-	-	
21	AF121012	Washer For Hose	-	4	-	-	-	-	-	
22	AF141102	Elbow	-	1	-	-	-	-	-	
23	36AZ0091	Kit Reducer HPR - Solenoid	-	1	-	-	-	-	-	
24	AF141241	Bracket Assembly - LPR	-	1	-	-	-	-	-	

AU - RE PET
AF - RE CNG
AM - RE LPG

AZ - Maxima Z CNG
RA - Maxima ZLPG

AT - Maxima XWIDE CNG
AT1 - Maxima XWIDE LPG
AN - Maxima C CNG

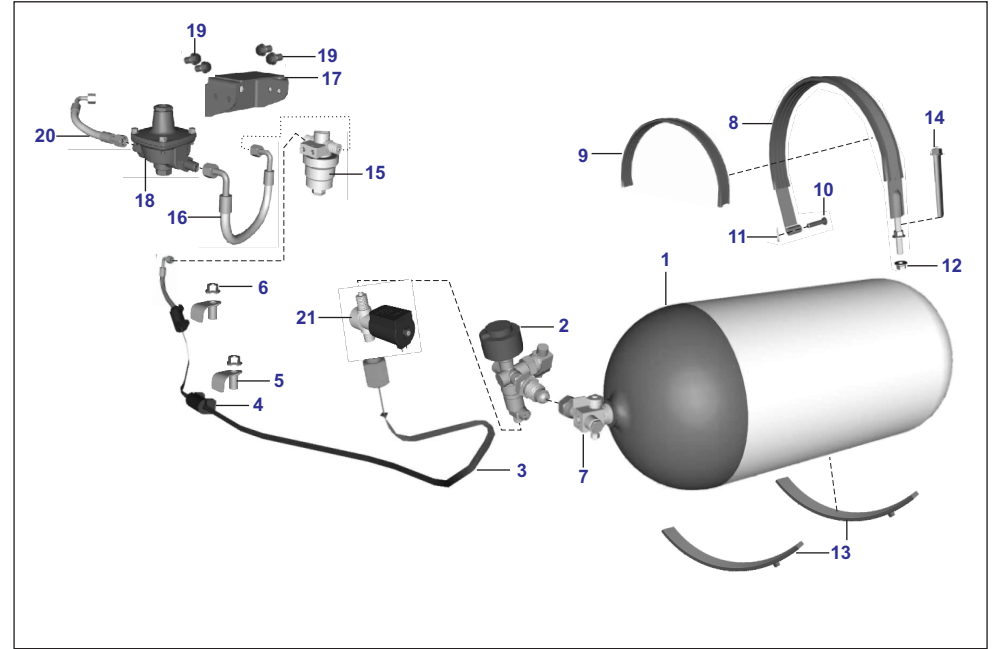


No.	Part No.	Description	RE			Z		XWIDE		C	Remarks
			AU	AF	AM	AZ	RA	AT	AT1	AN	
1	AN141041	Cylinder CNG WC40L	-	-	-	1	-	-	-	-	
2	AT172117	Regulator Assly. (HPR)	-	-	-	1	-	-	-	-	
3	AZ172096	Hose Solenoid - Filter	-	-	-	1	-	-	-	-	
4	BF172103	Packing Rubber Metal Clamp	-	-	-	2	-	-	-	-	
5	AZ172074	Clamp Assembly	-	-	-	2	-	-	-	-	
6	KCGA0606	Nut Hex Flanged	-	-	-	2	-	-	-	-	
7	AF141115	Valve Assembly	-	-	-	1	-	-	-	-	
8	AZ172119	Assembly Strap Cylinder	-	-	-	2	-	-	-	-	
9	AZ172049	Packing Strap Cylinder MTG UG	-	-	-	2	-	-	-	-	
10	LHE00027	Pin Clevis DIA 10	-	-	-	2	-	-	-	-	
11	KHAE3220	Pin Cotter	-	-	-	2	-	-	-	-	
12	KCGD1010	Nut Hex Flanged	-	-	-	2	-	-	-	-	
13	AZ172054	Packing	-	-	-	2	-	-	-	-	
14	LAD00092	Bolt Flanged M10X1.25	-	-	-	2	-	-	-	-	
15	AZ172101	Filter CNG	-	-	-	1	-	-	-	-	
16	AZ172091	Hose Solenoid - Regulator	-	-	-	1	-	-	-	-	
17	AZ172090	Bracket Regulator	-	-	-	1	-	-	-	-	

AU - RE PET
AF - RE CNG
AM - RE LPG

AZ - Maxima Z CNG
RA - Maxima ZLPG

AT - Maxima XWIDE CNG
AT1 - Maxima XWIDE LPG
AN - Maxima C CNG

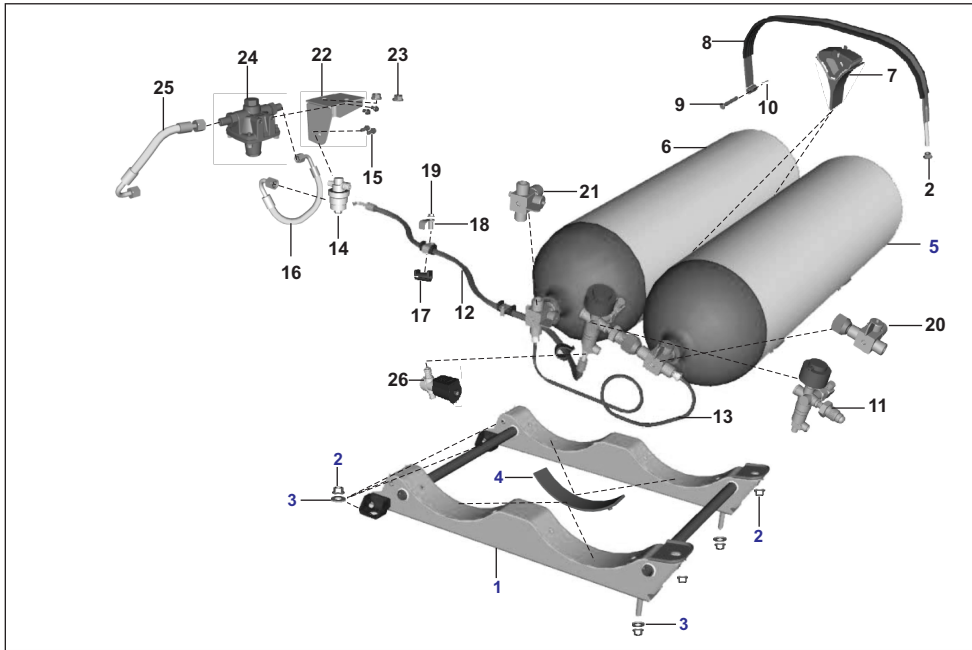


No.	Part No.	Description	RE			Z		XWIDE		C	Remarks
			AU	AF	AM	AZ	RA	AT	AT1	AN	
18	AZ172089	Regulator Assembly	-	-	-	1	-	-	-	-	
19	KAED0610	Bolt Flanged M6X1	-	-	-	4	-	-	-	-	
20	AZ172137	Hose Regulator - Rail Gas	-	-	-	1	-	-	-	-	
21	AF141099	Solenoid	-	-	-	1	-	-	-	-	
22	36AF0057	Diaphragm Assly Kit	-	-	-	1	-	-	-	-	NI
23	36AF0030	Solenoid Filter CNG	-	-	-	1	-	-	-	-	NI
24	36AZ0091	Kit Reducer HPR-Solenoid	-	-	-	1	-	-	-	-	NI

AU - RE PET
AF - RE CNG
AM - RE LPG

AZ - Maxima Z CNG
RA - Maxima ZLPG

AT - Maxima XWIDE CNG
AT1 - Maxima XWIDE LPG
AN - Maxima C CNG

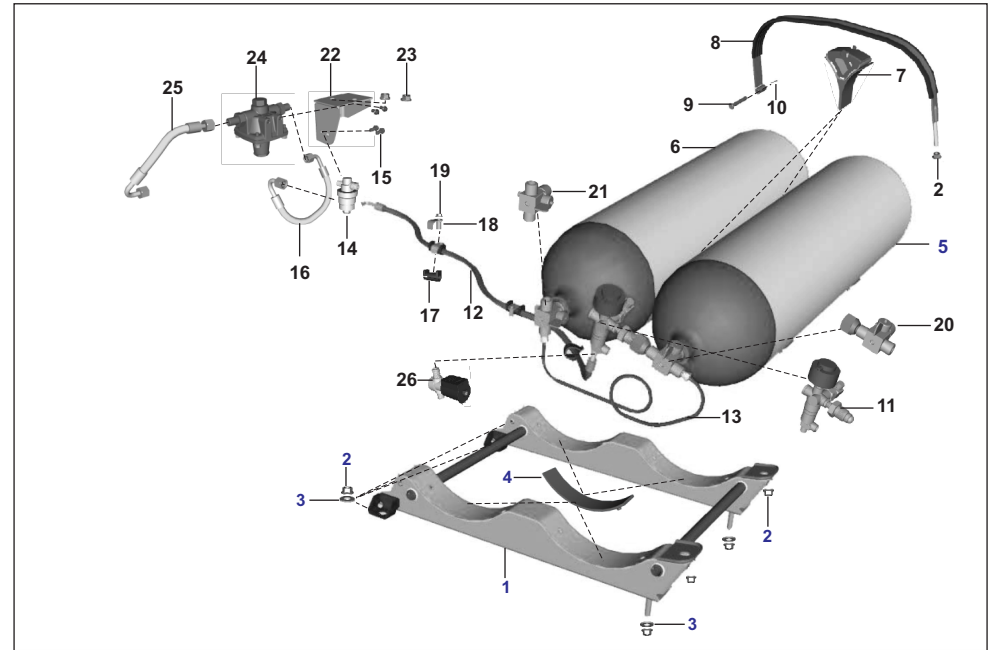


No.	Part No.	Description	RE		Z		XWIDE		C	Remarks
			AU	AF	AM	AZ	RA	AT	AT1	
1	AT172050	Cradle assly twin cng cylindr	-	-	-	-	-	1	-	-
2	LCL00001	Nut Hex Flange-M10	-	-	-	-	-	6	-	-
3	KDBB1226	Washer Plain	-	-	-	-	-	6	-	-
4	AT172038	Packing-Rubber-Cylinder Mounting	-	-	-	-	-	4	-	-
5	AT172020	Cylinder CNG FR & RR	-	-	-	-	-	1	-	-
7	AT172072	Assembly Bracket With Packing	-	-	-	-	-	2	-	-
8	AT172037	Strap Assembly-Mounting	-	-	-	-	-	2	-	-
9	LHE00002	Pin Clevis With Hole	-	-	-	-	-	2	-	-
10	KHAE3220	Pin Cotter	-	-	-	-	-	2	-	-
11	AT172196	Regulator CNG	-	-	-	-	-	1	-	-
12	AT172139	Hose Solenoid-Filter	-	-	-	-	-	1	-	-
13	AT172138	Pipe Assy Connecting Cylinde	-	-	-	-	-	1	-	-
14	AT172140	Filter	-	-	-	-	-	1	-	-
15	KAED0612	Bolt-flanged-small	-	-	-	-	-	2	-	-
16	AT172191	Hose Solenoid-LPR	-	-	-	-	-	1	-	-
17	BF172103	Packing Rubber Metal Clamp	-	-	-	-	-	2	-	-

AU - RE PET
AF - RE CNG
AM - RE LPG

AZ - Maxima Z CNG
RA - Maxima ZLPG

AT - Maxima XWIDE CNG
AT1 - Maxima XWIDE LPG
AN - Maxima C CNG

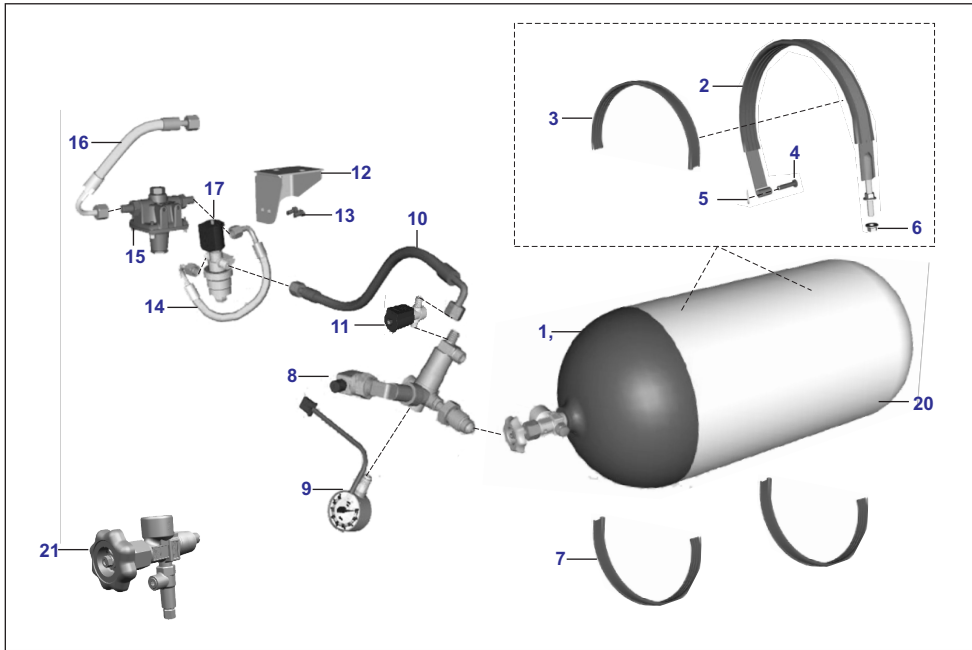


No.	Part No.	Description	RE		Z		XWIDE		C	Remarks
			AU	AF	AM	AZ	RA	AT	AT1	
18	AZ172074	Clamp Assembly	-	-	-	-	-	2	-	-
19	KCGA0606	Nut Hex Flanged	-	-	-	-	-	2	-	-
20	AT172136	Valve Assembly Front	-	-	-	-	-	1	-	-
21	AT172137	Valve Assembly Rear	-	-	-	-	-	1	-	-
22	AT172126	Bracket Regulator	-	-	-	-	-	1	-	-
23	KCGD0808	Nut Hex Flanged	-	-	-	-	-	2	-	-
24	AF141111	Regulator Low Pressure CNG	-	-	-	-	-	1	-	-
25	AT172186	Hose LPR-Rail	-	-	-	-	-	1	-	-
26	AF141099	Solenoid	-	-	-	-	-	1	-	-
27	36AF0057	Diaphragm Assly Kit	-	-	-	-	-	1	-	NI
28	36AF0030	Solenoid Filter CNG	-	-	-	-	-	1	-	NI
29	36AZ0091	Kit Reducer HPR-Solenoid	-	-	-	-	-	1	-	NI

AU - RE PET
AF - RE CNG
AM - RE LPG

AZ - Maxima Z CNG
RA - Maxima ZLPG

AT - Maxima XWIDE CNG
AT1 - Maxima XWIDE LPG
AN - Maxima C CNG

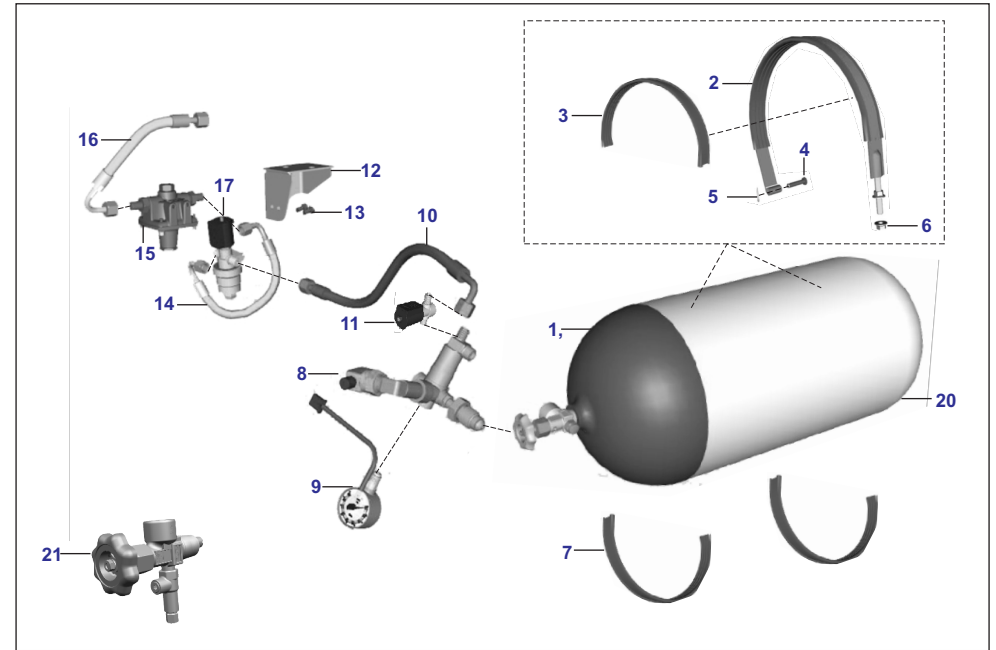


No.	Part No.	Description	RE			Z			XWIDE		C	Remarks
			AU	AF	AM	AZ	RA	AT	AT1	AN		
1	AN141172	Cylinder Assly CNG(with Valve)	-	-	-	-	-	-	-	1	NS(Alt-20,21)	
2	AN141054	Strap Assembly	-	-	-	-	-	-	-	2		
3	AN141056	Strap Packing Rubber	-	-	-	-	-	-	-	2		
4	AF161059	Pin For CNG Cylinder Clamp Strap	-	-	-	-	-	-	-	2		
5	24141091	Clip Spring	-	-	-	-	-	-	-	2		
6	KCGD1010	Nut Hex Flanged	-	-	-	-	-	-	-	2		
7	AN141057	Packing Lower CNG CYL	-	-	-	-	-	-	-	2		
8	AN141146	Regulator High Pressure CNG	-	-	-	-	-	-	-	1		
9	AF141290	Gauge Pressure CNG	-	-	-	-	-	-	-	1		
10	AN141220	Hose Solenoid-Filter	-	-	-	-	-	-	-	1		
11	AF141099	Solenoid	-	-	-	-	-	-	-	1		
12	AT172126	Bracket Regulator	-	-	-	-	-	-	-	1		
13	KAED0610	Bolt-flanged-small	-	-	-	-	-	-	-	2		
14	AT172191	Hose Solenoid-LPR	-	-	-	-	-	-	-	1		
15	AF141111	Regulator Low Pressure CNG	-	-	-	-	-	-	-	1		
16	AT172186	Hose LPR-Rail	-	-	-	-	-	-	-	1		
17	AZ172101	Filter CNG	-	-	-	-	-	-	-	1		

AU - RE PET
AF - RE CNG
AM - RE LPG

AZ - Maxima Z CNG
RA - Maxima ZLPG

AT - Maxima XWIDE CNG
AT1 - Maxima XWIDE LPG
AN - Maxima C CNG

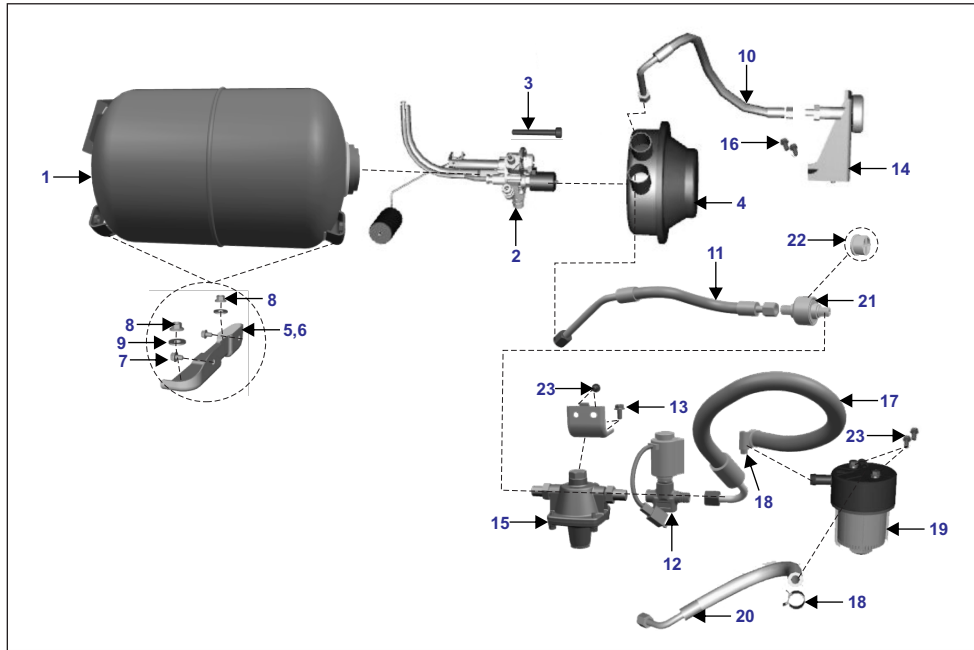


No.	Part No.	Description	RE			Z			XWIDE		C	Remarks
			AU	AF	AM	AZ	RA	AT	AT1	AN		
18	36AF0057	Diaphragm Assly Kit	-	-	-	-	-	-	-	1	NI	
19	36AF0030	Solenoid Filter CNG	-	-	-	-	-	-	-	1	NI	
20	AN141041	Cylinder CNG	-	-	-	-	-	-	-	1		
21	AF141122	Valve CNG	-	-	-	-	-	-	-	1		
22	36AZ0091	Kit Reducer HPR-Solenoid	-	-	-	-	-	-	-	1	NI	

AU - RE PET
AF - RE CNG
AM - RE LPG

AZ - Maxima Z CNG
RA - Maxima ZLPG

AT - Maxima XWIDE CNG
AT1 - Maxima XWIDE LPG
AN - Maxima C CNG

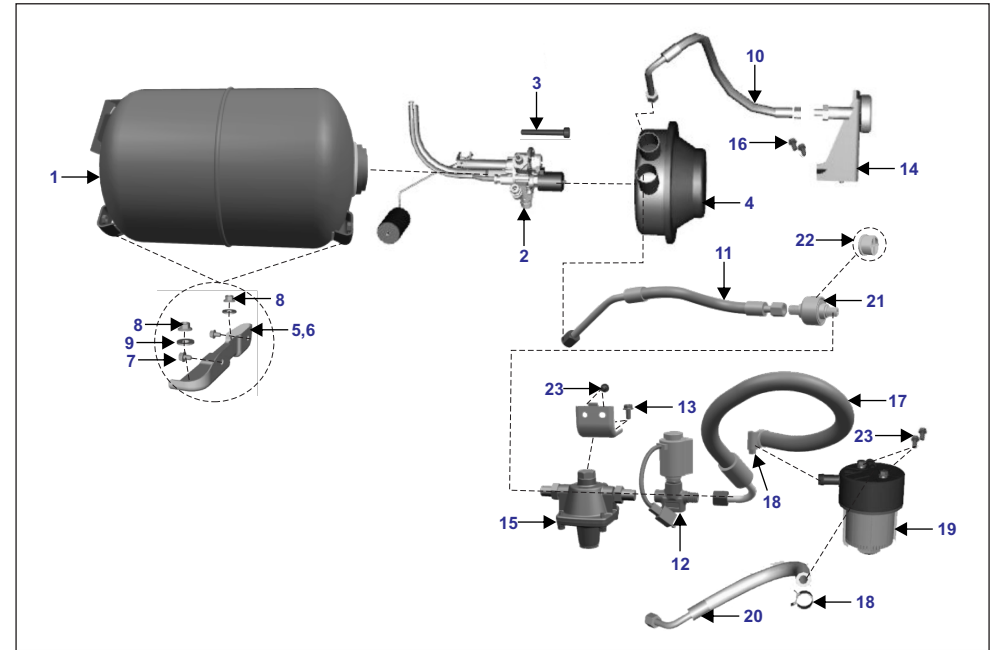


No.	Part No.	Description	RE			Z			XWIDE		C	Remarks
			AU	AF	AM	AZ	RA	AT	AT1	AN		
1	RA172052	Cylinder Assembly-LPG	-	-	1	-	-	-	-	-		
2	AM141210	Valve Assembly Multifunction	-	-	1	-	-	-	-	-		
3	AU172074	Bolt Socket M5X0.8	-	-	6	-	-	-	-	-		
4	24121418	Seal Box Assy.-Zero Deg. Mv	-	-	1	-	-	-	-	-		
5	AM141094	Bracket Cylinder LH	-	-	1	-	-	-	-	-		
6	AM141095	Bracket Cylinder RH	-	-	1	-	-	-	-	-		
7	KADD0812	Bolt Flanged	-	-	4	-	-	-	-	-		
8	LCL00001	Nut Hex Flange	-	-	4	-	-	-	-	-		
9	KDBA1226	Washer_Plain	-	-	2	-	-	-	-	-		
10	AM121105	Hose Filler-MFV	-	-	1	-	-	-	-	-		
11	AM141199	Hose MFV-Regulator	-	-	1	-	-	-	-	-		
12	AM141203	Solenoid LPG	-	-	1	-	-	-	-	-		
13	KADA0612	Bolt-Flanged-Small	-	-	2	-	-	-	-	-		
14	24121432	Filler Connector With Bkt. Assy.	-	-	1	-	-	-	-	-		
15	BF172137	Regulator Low Pressure	-	-	1	-	-	-	-	-		
16	KADD0816	Bolt Flanged	-	-	2	-	-	-	-	-		

AU - RE PET
AF - RE CNG
AM - RE LPG

AZ - Maxima Z CNG
RA - Maxima ZLPG

AT - Maxima XWIDE CNG
AT1 - Maxima XWIDE LPG
AN - Maxima C CNG

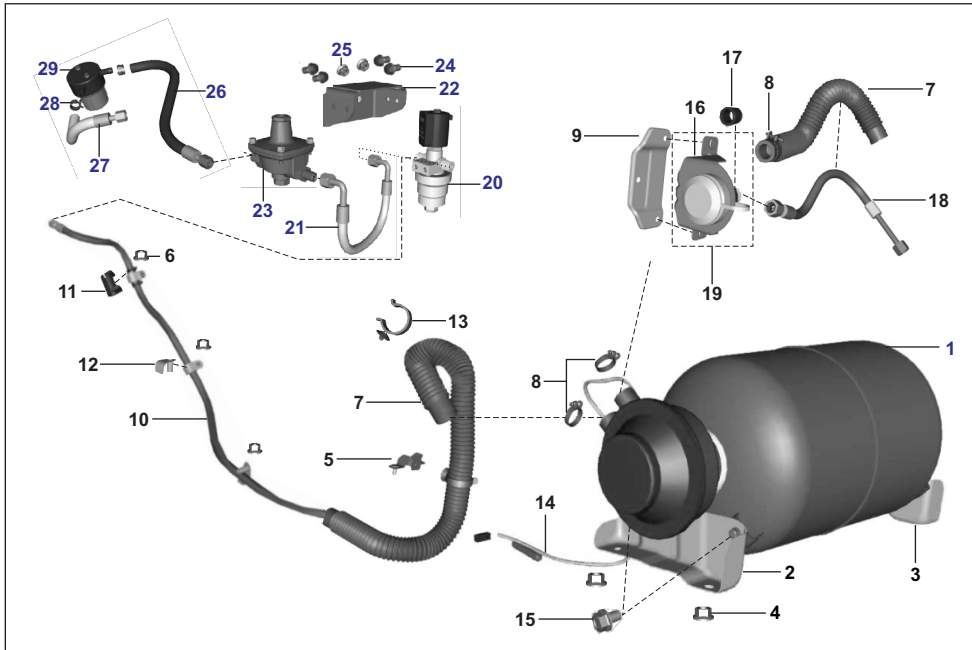


No.	Part No.	Description	RE			Z			XWIDE		C	Remarks
			AU	AF	AM	AZ	RA	AT	AT1	AN		
17	AM141202	Hose Filter-Regulator	-	-	1	-	-	-	-	-		
18	AM141111	Clamp	-	-	2	-	-	-	-	-		
19	BF172367	Filter	-	-	1	-	-	-	-	-		
20	AM141105	Hose Filter-Rail	-	-	1	-	-	-	-	-		
21	AM141196	Filter Assembly	-	-	1	-	-	-	-	-		
22	AM141197	Element Filter	-	-	1	-	-	-	-	-		
23	KAED0610	Bolt Flanged M6X1	-	-	4	-	-	-	-	-		
24	36RA0012	Matrix Filter Element	-	-	1	-	-	-	-	-	NI	
25	36AM0011	Solenoid Filter Element	-	-	1	-	-	-	-	-	NI	
26	36AF0057	Diaphragm Assly Kit	-	-	1	-	-	-	-	-	NI	
27	36AF0030	Solenoid Filter LPG	-	-	1	-	-	-	-	-	NI	

AU - RE PET
AF - RE CNG
AM - RE LPG

AZ - Maxima Z CNG
RA - Maxima ZLPG

AT - Maxima XWIDE CNG
AT1 - Maxima XWIDE LPG
AN - Maxima C CNG

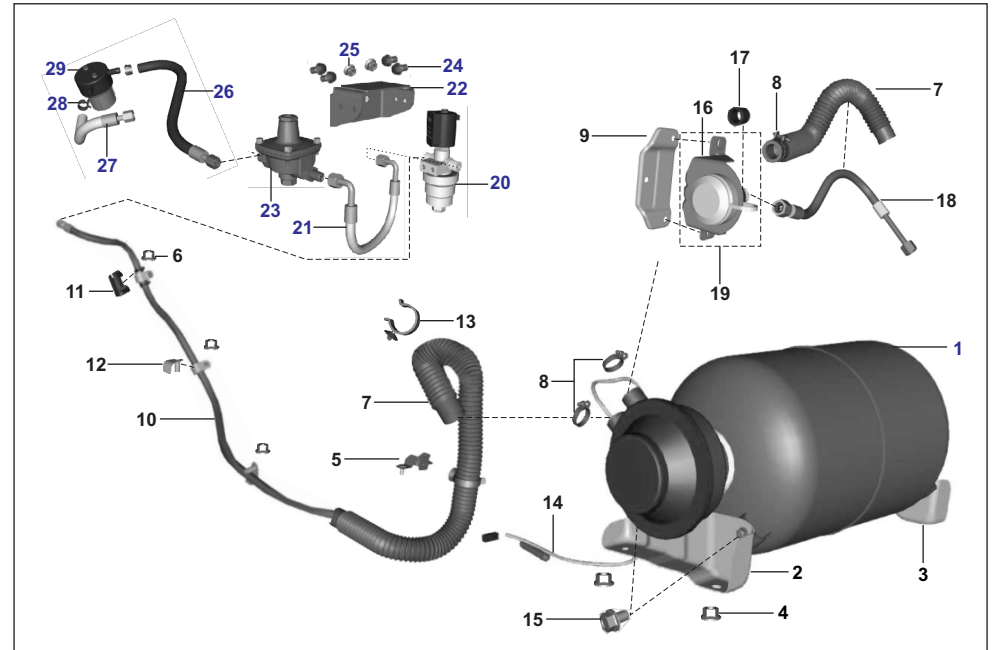


No.	Part No.	Description	RE			Z		XWIDE		C	Remarks
			AU	AF	AM	AZ	RA	AT	AT1	AN	
1	RA172052	Cylinder Assembly-LPG	-	-	-	-	1	-	-	-	
2	RA172051	Bracket Cylinder Mtg-LPG-RH	-	-	-	-	1	-	-	-	
3	RA172050	Bracket Cylinder Mtg-LPG-LH	-	-	-	-	1	-	-	-	
4	LCL00001	Nut Hex Flange	-	-	-	-	4	-	-	-	
5	RA172047	Assembly Bracket Hose Mtg Ug	-	-	-	-	1	-	-	-	
6	KCGA0606	Nut Hex Flanged	-	-	-	-	8	-	-	-	
7	RA172063	Hose Vent	-	-	-	-	2	-	-	-	
8	BF172111	Clamp Vent Pipe	-	-	-	-	3	-	-	-	
9	RA172042	Reinforcement LPG Filling Mtg	-	-	-	-	1	-	-	-	
10	RA172107	Hose Mfv-Vaporizer	-	-	-	-	1	-	-	-	
11	BF172103	Packing Rubber Metal Clamp	-	-	-	-	3	-	-	-	
12	AZ172074	Clamp Assembly	-	-	-	-	3	-	-	-	
13	BF172117	Clamp LPG Vent Pipe	-	-	-	-	2	-	-	-	
14	RA172134	Assembly Valve Multifunction	-	-	-	-	1	-	-	-	
15	KADD0812	Bolt Flanged	-	-	-	-	4	-	-	-	
16	RA172031	Assembly Bkt Filling Unit Mtg	-	-	-	-	1	-	-	-	
17	RA172041	Bush Rubber LPG Hose Ug	-	-	-	-	1	-	-	-	

AU - RE PET
AF - RE CNG
AM - RE LPG

AZ - Maxima Z CNG
RA - Maxima ZLPG

AT - Maxima XWIDE CNG
AT1 - Maxima XWIDE LPG
AN - Maxima C CNG



No.	Part No.	Description	RE			Z		XWIDE		C	Remarks
			AU	AF	AM	AZ	RA	AT	AT1	AN	
18	RA171800	Assembly Hose Mfv To Filling Ug	-	-	-	-	1	-	-	-	
19	RA172032	Assembly Filling Valve Ug	-	-	-	-	1	-	-	-	
20	AM141067	Solenoid LPG	-	-	-	-	1	-	-	-	
21	RA172108	Hose Solenoid-Regulator	-	-	-	-	1	-	-	-	
22	AZ172090	Bracket Regulator	-	-	-	-	1	-	-	-	
23	BF172137	Regulator Low Pressure	-	-	-	-	1	-	-	-	
24	KAED0610	Bolt-Flanged-Small	-	-	-	-	4	-	-	-	
25	KCGD0808	Nut Hex Flanged	-	-	-	-	2	-	-	-	
26	RA172136	Hose Regulator-Filter	-	-	-	-	1	-	-	-	
27	RA172130	Hose Filter-Rail	-	-	-	-	1	-	-	-	
28	BA102258	Hose Clip- Dia.16.8 X 10	-	-	-	-	2	-	-	-	
29	RA172129	Filter Assembly	-	-	-	-	1	-	-	-	
30	36RA0012	Matrix Filter Element -Oring	-	-	-	-	1	-	-	-	
31	36AM0011	S. Filter Element With O Ring	-	-	-	-	1	-	-	-	
32	36AF0057	Diaphragm Assly Kit	-	-	-	-	1	-	-	-	
33	36AF0030	Solenoid Filter LPG	-	-	-	-	1	-	-	-	

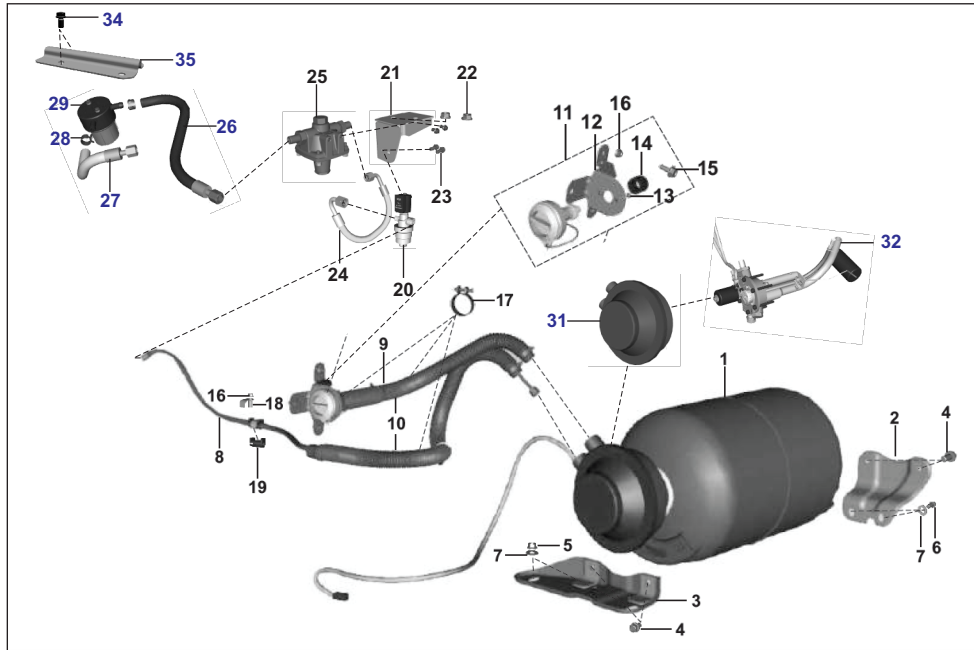
AU - RE PET
AF - RE CNG
AM - RE LPG

AZ - Maxima Z CNG
RA - Maxima ZLPG

AT - Maxima XWIDE CNG
AT1 - Maxima XWIDE LPG
AN - Maxima C CNG

PLATE NO. 90: CYLINDER FOR LPG - XWIDE

ALTERNATE FUEL
MF & BF OBD2B



No.	Part No.	Description	RE		Z		XWIDE		C	Remarks
			AU	AF	AM	AZ	RA	AT	AT1	
1	RA172052	Cylinder Assembly-LPG	-	-	-	-	-	1	-	
2	AT172090	Bracket Cyl. Mounting LPG-LH	-	-	-	-	-	1	-	
3	AT172092	Bracket Assembly Cylinder RH	-	-	-	-	-	1	-	
4	KADD0814	Bolt Flanged	-	-	-	-	-	4	-	
5	LCL00001	Nut Hex Flange	-	-	-	-	-	2	-	
6	KADD1020	Bolt Flanged	-	-	-	-	-	2	-	
7	KDBB1226	Washer Plain	-	-	-	-	-	4	-	
8	AT172143	Hose Mfv-Solenoid	-	-	-	-	-	1	-	
9	AT172081	Hose Mfv-Filler Valve	-	-	-	-	-	1	-	
10	AT172099	Pipe Vent	-	-	-	-	-	2	-	
11	AT172082	Assembly Filler Valve	-	-	-	-	-	1	-	
12	AT172083	Bracket Assembly Filler Valve	-	-	-	-	-	1	-	
13	KCBA0503	Nut Hex Thin	-	-	-	-	-	1	-	
14	RA172041	Bush Rubber LPG Hose	-	-	-	-	-	1	-	
15	BF172111	Clamp Vent Pipe	-	-	-	-	-	3	-	
16	KCGA0606	Nut Hex Flanged	-	-	-	-	-	2	-	
17	KADA0616	Bolt Flanged	-	-	-	-	-	2	-	
18	AZ172074	Clamp Assembly	-	-	-	-	-	1	-	

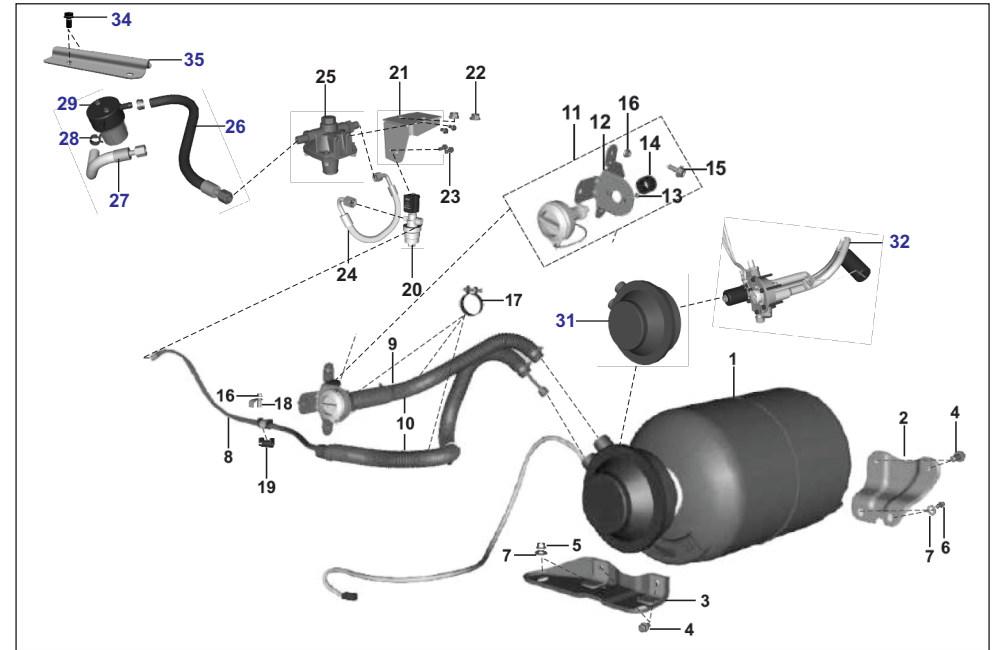
AU - RE PET
AF - RE CNG
AM - RE LPG

AZ - Maxima Z CNG
RA - Maxima ZLPG

AT - Maxima XWIDE CNG
AT1 - Maxima XWIDE LPG
AN - Maxima C CNG

PLATE NO. 90: CYLINDER FOR LPG - XWIDE

ALTERNATE FUEL
MF & BF OBD2B

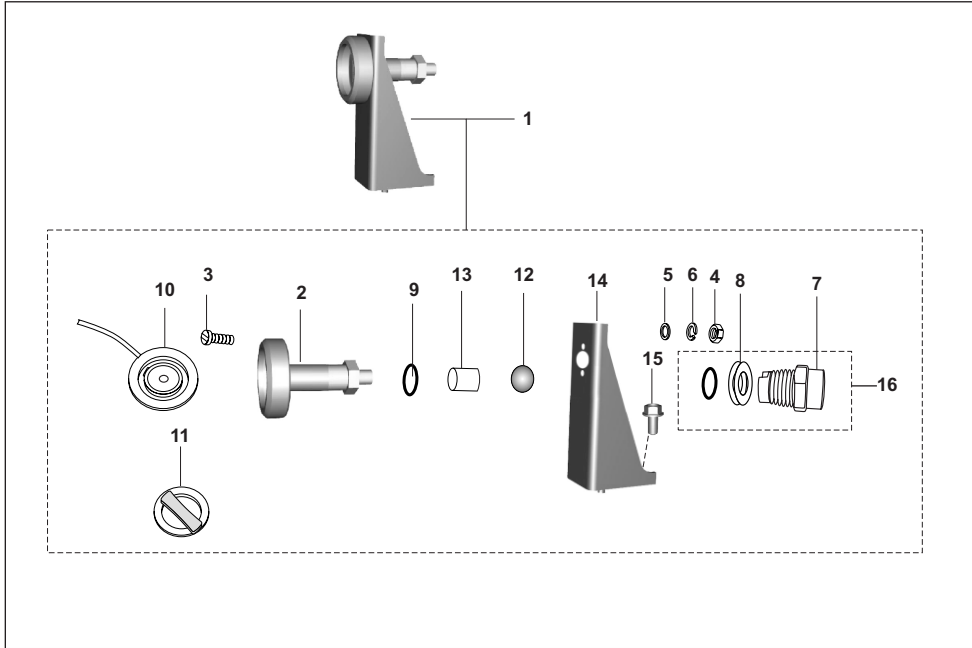


No.	Part No.	Description	RE		Z		XWIDE		C	Remarks
			AU	AF	AM	AZ	RA	AT	AT1	
19	BF172103	Packing Rubber Metal Clamp	-	-	-	-	-	1	-	
20	AM141067	Solenoid LPG	-	-	-	-	-	1	-	
21	AT172146	Bracket Regulator	-	-	-	-	-	1	-	
22	KCGD0808	Nut Hex Flanged	-	-	-	-	-	1	-	
23	KAED0610	Bolt-Flanged-Small	-	-	-	-	-	2	-	
24	AT172200	Hose Solenoid-Regulator	-	-	-	-	-	1	-	
25	BF172137	Regulator Low Pressure	-	-	-	-	-	1	-	
26	AT172187	Hose Filter-Rail	-	-	-	-	-	1	-	
27	AT172198	Hose Regulator-Filter	-	-	-	-	-	1	-	
28	AM141111	Clamp	-	-	-	-	-	2	-	
29	BF172365	Filter- Matrix	-	-	-	-	-	1	-	
30	36RA0012	Matrix Filter Element -Oring	-	-	-	-	-	1	-	
31	24121418	Seal Box Assy.-Zero Deg. Mv	-	-	-	-	-	1	-	
32	AT172201	Valve Multifunction	-	-	-	-	-	1	-	
33	36AM0011	Sol. Filter Element With O Ring	-	-	-	-	-	1	-	
34	KAED0610	Bolt Flanged	-	-	-	-	-	2	-	
35	AT111281	Bracket Filter	-	-	-	-	-	1	-	

AU - RE PET
AF - RE CNG
AM - RE LPG

AZ - Maxima Z CNG
RA - Maxima ZLPG

AT - Maxima XWIDE CNG
AT1 - Maxima XWIDE LPG
AN - Maxima C CNG



No.	Part No.	Description	RE			Z		XWIDE		C	Remarks
			AU	AF	AM	AZ	RA	AT	AT1	AN	
1	24121432	Filler connector with bkt. Assy.	-	-	1	-	-	-	-	-	
2	24121245	Filler connector	-	-	1	-	-	-	-	-	
3	59010010	Screw csumk for filter	-	-	2	-	-	-	-	-	
4	AF121057	Nut	-	-	2	-	-	-	-	-	
5	AF121058	Washer	-	-	2	-	-	-	-	-	
6	AF121049	Washer - spring_m5_	-	-	2	-	-	-	-	-	
7	24121337	Connector for filler	-	-	1	-	-	-	-	-	
8	AF121085	Washer	-	-	1	-	-	-	-	-	
9	CX141046	'O' ring	-	-	1	-	-	-	-	-	
10	24121394	Cap	-	-	1	-	-	-	-	-	
11	24121393	Knob	-	-	1	-	-	-	-	-	
12	CX141044	Steel ball	-	-	1	-	-	-	-	-	
13	CX141045	Spacer	-	-	1	-	-	-	-	-	
14	24121407	BKT. Filling valve	-	-	2	-	-	-	-	-	
15	KADD0816	Bolt flanged	-	-	2	-	-	-	-	-	
16	36AF0040	Kit filler valve	-	-	1	-	-	-	-	-	
17	AF121066	Washer	-	-	1	-	-	-	-	-	

AU - RE PET
AF - RE CNG
AM - RE LPG

AZ - Maxima Z CNG
RA - Maxima ZLPG

AT - Maxima XWIDE CNG
AT1 - Maxima XWIDE LPG
AN - Maxima C CNG



No.	Part No.	Description	RE			Z		XWIDE		C	Remarks
			AU	AF	AM	AZ	RA	AT	AT1	AN	

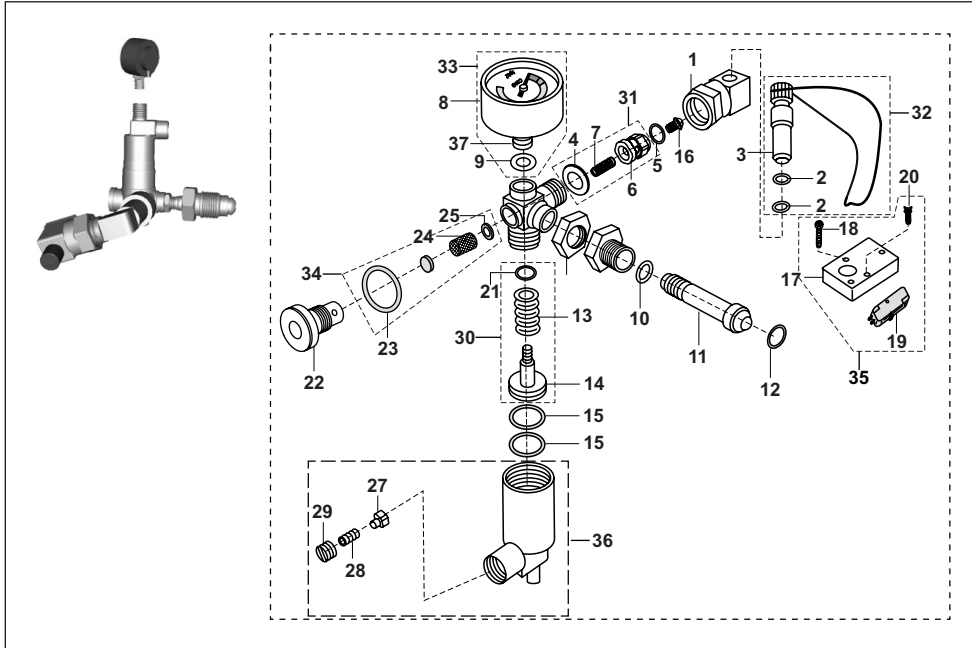
AU - RE PET
AF - RE CNG
AM - RE LPG

AZ - Maxima Z CNG
RA - Maxima ZLPG

AT - Maxima XWIDE CNG
AT1 - Maxima XWIDE LPG
AN - Maxima C CNG

PLATE NO. 92: REGULATOR HIGH PRESSURE

ALTERNATE FUEL
MF & BF OBD2B



No.	Part No.	Description	RE		Z		XWIDE		C	Remarks	
			AU	AF	AM	AZ	RA	AT	AT1		AN
1	AF121004	Refuelling unit for 3w-4s-re-cng	-	1	-	1	-	1	-	1	
2	AF121023	Ring - o for 3w-4s-re-cng	-	2	-	2	-	2	-	2	
3	AF121018	Plug -dust	-	1	-	1	-	1	-	1	
4	AF121025	Washer-	-	1	-	1	-	1	-	1	
5	AF121026	Ring - o for re4s-cng	-	1	-	1	-	1	-	1	
6	AF121027	Seat for 3w-4s-re-cng	-	1	-	1	-	1	-	1	
7	AF121028	Spring for 3w-4s-re-cng	-	1	-	1	-	1	-	1	
8	24201336	Gauge Pressure CNG	-	-	-	1	-	1	-	-	
8	24201333	Gauge Pressure CNG	-	1	-	-	-	-	-	1	
9	AF121029	Washer	-	1	-	1	-	1	-	1	
10	AF121030	Washer	-	1	-	1	-	1	-	1	
11	24121456	Connector ss for cng	-	1	-	1	-	1	-	1	
12	AF121032	Ring - o for 3w-4s-re-cng	-	2	-	2	-	2	-	2	
13	AF121034	Spring for 3w-4s-re-cng	-	1	-	1	-	1	-	1	
14	AF121126	First stage piston sub-assembly	-	1	-	1	-	1	-	1	
16	AF121043	Retainer for re4s-cng	-	1	-	1	-	1	-	1	
17	AF121044	Plate - mounting	-	1	-	1	-	1	-	1	

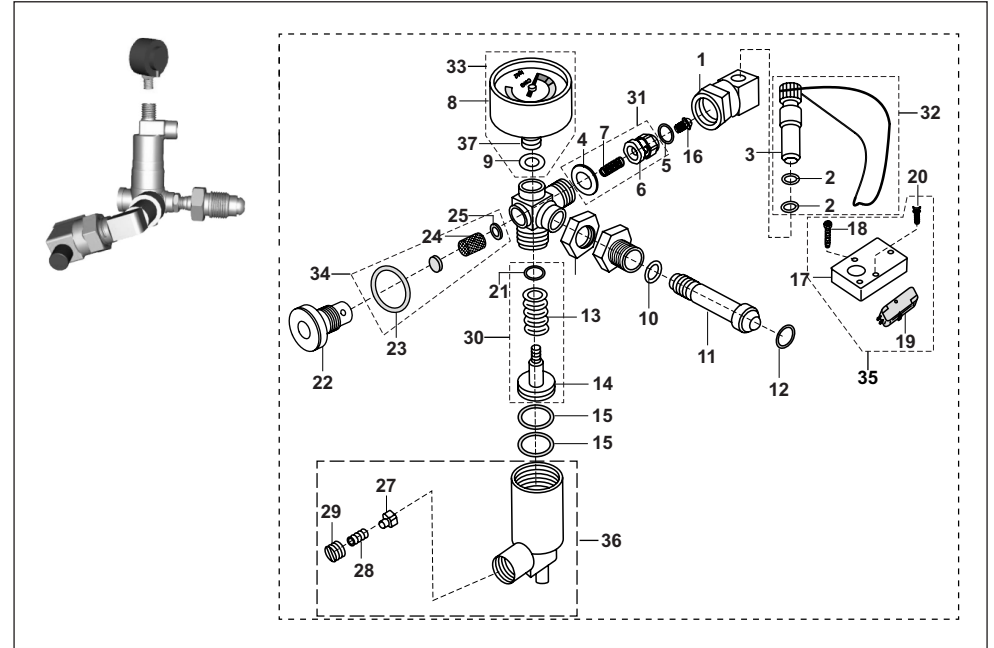
AU - RE PET
AF - RE CNG
AM - RE LPG

AZ - Maxima Z CNG
RA - Maxima ZLPG

AT - Maxima XWIDE CNG
AT1 - Maxima XWIDE LPG
AN - Maxima C CNG

PLATE NO. 92: REGULATOR HIGH PRESSURE

ALTERNATE FUEL
MF & BF OBD2B



No.	Part No.	Description	RE		Z		XWIDE		C	Remarks	
			AU	AF	AM	AZ	RA	AT	AT1		AN
18	AF121045	Screw - philip	-	2	-	2	-	2	-	2	
19	AF201010	Switch - micro (vanaz)	-	1	-	1	-	1	-	1	
20	AF121046	Screw - philips I	-	2	-	2	-	2	-	2	
21	AF121104	Ring - o	-	1	-	1	-	1	-	1	
22	AF121105	Retainer NS	-	1	-	1	-	1	-	1	Alt - YAF30001
23	AF121106	Ring - o	-	1	-	1	-	1	-	1	
25	AF121108	Washer - 4.5 x 11	-	1	-	1	-	1	-	1	
27	AF121127	Pad hldr(srv)sub-asy:	-	1	-	1	-	1	-	1	
28	AF121039	Spring - relief valve	-	1	-	1	-	1	-	1	
29	AF121040	Screw - adjusting	-	1	-	1	-	1	-	1	
30	36AF0031	Kit piston sub assly & spring	-	-	-	-	-	-	-	-	
31	36AF0032	Kit nrv sub assly & spring	-	-	-	-	-	-	-	-	
32	36AF0033	Kit dust plug	-	-	-	-	-	-	-	-	
33	36AF0034	Kit pressure gauge	-	-	-	-	-	-	-	-	
34	36AF0035	Kit filter (sb)	-	-	-	-	-	-	-	-	
35	36AF0036	Kit micro switch	-	-	-	-	-	-	-	-	
36	36AF0043	Kit relif valve spring	-	-	-	-	-	-	-	-	
37	AF121102	Cap For Threading	-	1	-	1	-	1	-	1	
38	36AZ0091	Kit Reducer HPR-Solenoid	-	1	-	1	-	1	-	1	

AU - RE PET
AF - RE CNG
AM - RE LPG

AZ - Maxima Z CNG
RA - Maxima ZLPG

AT - Maxima XWIDE CNG
AT1 - Maxima XWIDE LPG
AN - Maxima C CNG

INDEX

**ALTERNATE FUEL
MF & BF OBD2A**

Part No.	Page No.	Figure No.	Part No.	Page No.	Figure No.

INDEX

**ALTERNATE FUEL
MF & BF OBD2A**

Part No.	Page No.	Figure No.	Part No.	Page No.	Figure No.



**THE WORLD'S
FAVOURITE
INDIAN**

